



Ropox AdaptLine Manual




User Manual and Mounting Instructions

This manual must always accompany the product.


Contents

1.	SYMBOLS USED IN THIS MANUAL	3
2.	GENERAL SAFETY	3
2.1	PRODUCT UNIT LABEL	5
3.	GENERAL REQUIREMENTS	6
3.1	PRODUCT INFORMATION	6
3.2	PRODUCT DESCRIPTION	6
3.3	INTENDED USE	6
3.4	INTENDED OPERATOR	6
3.5	DIMENSION DRAWINGS	7
3.6	USE	9
3.7	SAFETY IN USE	10
3.8	CLEANING	10
4.	MOUNTING INSTRUCTIONS	11
4.1	INSTALLATION INFORMATION	11
4.2	CONNECTION ADAPTERS	12
4.3	LIST OF COMPONENTS	13
4.4	MOUNTING INSTRUCTIONS	14
5.	SERVICE INFORMATION	17
5.1	MAINTENANCE	17
5.2	PERFORMANCE TEST	17
6.	SPARE PARTS	17
7.	ENVIRONMENTAL PROTECTION	18
8.	COMPLAINTS	18

1. Symbols used in this manual

Warning Symbol Indication of potentially hazardous situation. If not avoided, it can result in serious injury or death.	
Caution Symbol Indication of potentially hazardous situation which may result in minor or moderate injury. It may also be used to alert against unsafe practices.	
Notification Symbol This symbol is used to notify correct use and handling of the product.	

2. General safety

	<p>This manual must be read and understood before use. Always keep this manual in close proximity of the product.</p> <p>The use, installation and service of this product must be in compliance with this manual to avoid accidents and serious personal injury.</p> <p>Never use or handle this product in other ways specified in this manual as it can result in personal safety hazards and/or cause damage to the product.</p> <p>Persons installing and/or using this product either as operator or user should have the necessary safety information and access to this manual.</p> <p>If the supply cord is damaged, it must be replaced by the manufacturer, its service agent or similarly qualified designated persons in order to avoid a hazard.</p>
--	--



Do not perform repairs, disassembly or assembly operations, add-ons, re-adjustments or modification of the product beyond what is described in this manual. These must be carried out by Ropox or Ropox authorized personnel. Do not perform service while in use.

This appliance can be used by children aged from 8 years and above and persons with reduced physical, sensory or mental capabilities or lack of experience and knowledge if they have been given supervision or instruction concerning use of the appliance in a safe way and understand the hazards involved. Children shall not play with the appliance.

Cleaning and user maintenance shall not be made by children without supervision.

Do not use the product if it has defects or have become damaged before being repaired or replaced.

If the control box makes unusual noise or smells, switch off the mains voltage immediately.

Take care that the cables are not damaged.

Unplug the mains cable on mobile equipment before it is moved.

The products must only be used in an environment that corresponds to their IP protection.

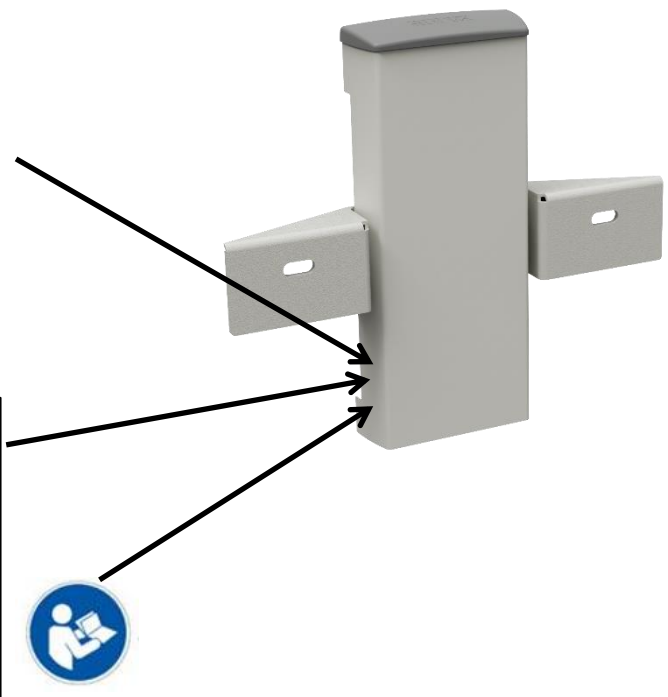
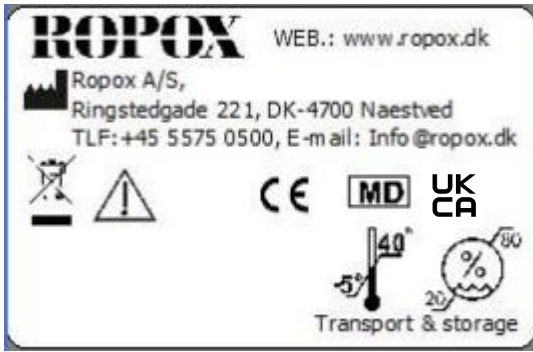


The information in this manual is based on correct installation in accordance with installation instructions for this product.

Ropox cannot be held liable if the product is used in any way that differs from stated in this manual and/or installation instruction.

Ropox reserve the right to amend this manual and reference documents without prior notice.

2.1 Product Unit label



	This product is UKCA-marked in accordance with: UK SI 2002 No. 618 - <i>The Medical Devices Regulations 2002</i> , and its amendments
	This product is CE-marked in accordance with: European Medical Device Directive 93/42/EEC, including amendments incorporated in Directive 2007/47/EEC. European Medical Device Regulation (EU)2017/745 Council Directive 2011/65/EU, RoHS
	Manufacturer name and address
	Date of production
	Stock number
	Serial number
	Consult manual for important safety related information, warnings and safety precautions.
	Do not dispose as unsorted municipal waste. Product must be returned to a designated recycling station.
	Operating and storing temperatures may not exceed 5-40C°
	Consult the instructions for use

3. General requirements

3.1 Product information

Manufacturer	Ropox A/S Ringstedgade 221 DK-4700 Naestved +45 55 75 05 00 Info@ropox.com	UK Responsible Person	Qserve Group UK, Ltd 49 Greek Street, W1D 4EG London United Kingdom +44 740 885 936 3 info@qservegroup.com
Product models	Part number	Model	Configuration
	40-42010 40-42011 40-42012 40-42110	Ropox AdaptLine Vask Ropox AdaptLine Vask Ropox AdaptLine Vask Ropox AdaptLine Unit	Standard Support Hospital
Expected service life	5 years		
MDR Class 2017/745	Class I		
Intended environments	This product is to be used only in: Professional Healthcare Environment Homecare Environment		
Maximum user weight according to EN17966:2016	40-42010-3 = 165 kg / 363 lbs 40-42011-4 = 165 kg / 363 lbs 40-42012-3 = 120 kg / 264 lbs 40-42110-3 = 200 kg / 440 lbs		
Height adjustment	20 cm / 7,8 in		
Ambient temperature range	-5 °C to +40 °C Transport and storage +5 °C to +40 °C Operation		
Relative humidity:	20% to 80% - non-condensing		
Materials in contact with patient	Wash basin	40-42010: Porcelain 40-42011: Synthetic/marble composite, with gel coat surface 40-42012: Porcelain	
	Mixer tap	Chrome	
	Cover	St37 tube construction with powder coating	
	Top cover	ABS	
Accessories	Flexible handle	40-42170	
	Plumbing kit	40-25731	

3.2 Product description

AdaptLine is a height-adjustable unit where you can mount a disability-friendly washbasin. AdaptLine has a convenient and compact design which makes it highly suitable for smaller bathrooms where space-saving solutions are required.

3.3 Intended use

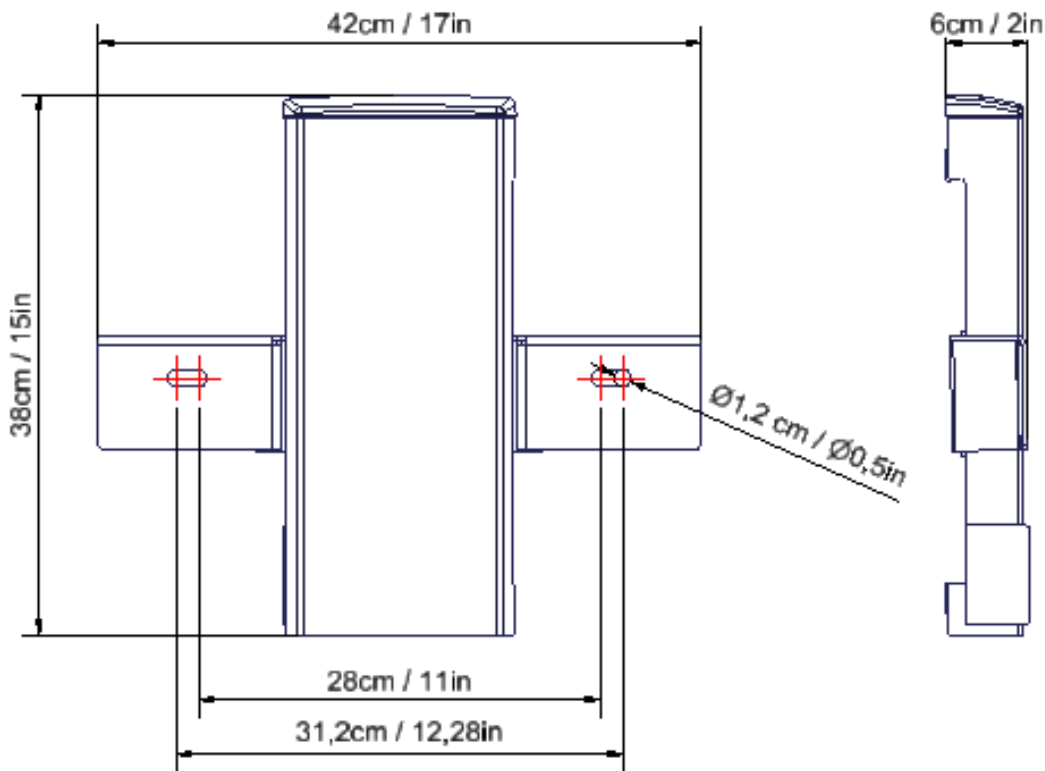
The AdaptLine washbasins are available with manual height adjustment to better the use for wheelchair users and walking impaired patient. Height adjustment is done with the small crank. The height adjustment range is 20 cm / 7,8 in.

3.4 Intended operator

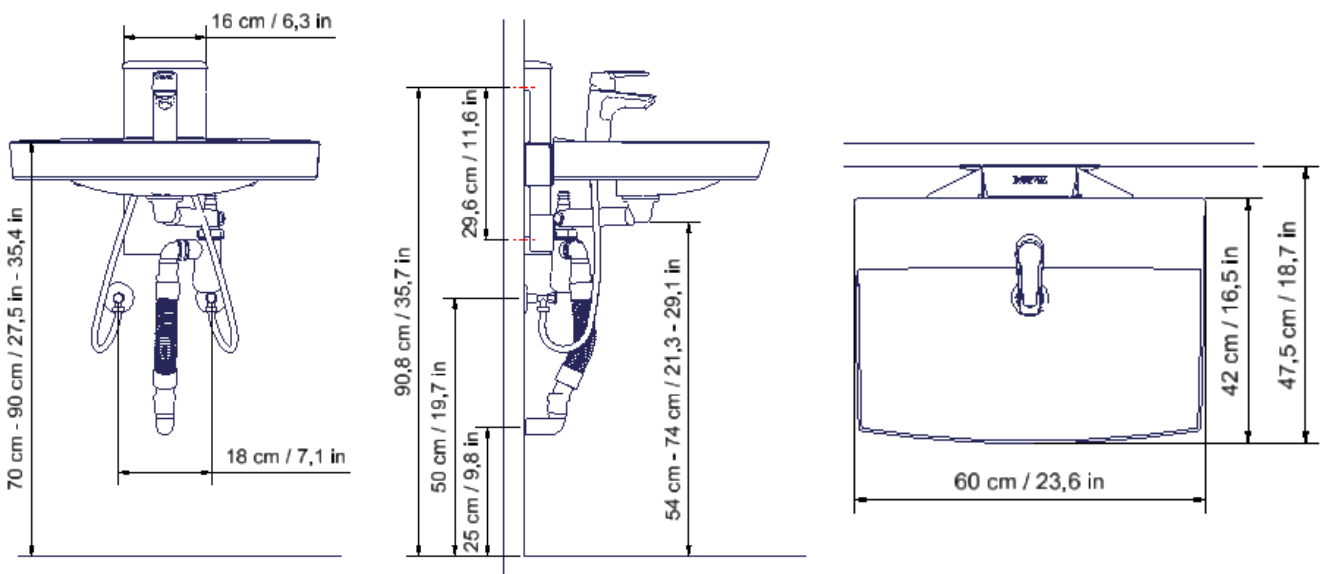
Reading and understanding this manual will be sufficient training for an intended operator. Children or patient are not considered intended operator.

3.5 Dimension drawings

40-42110

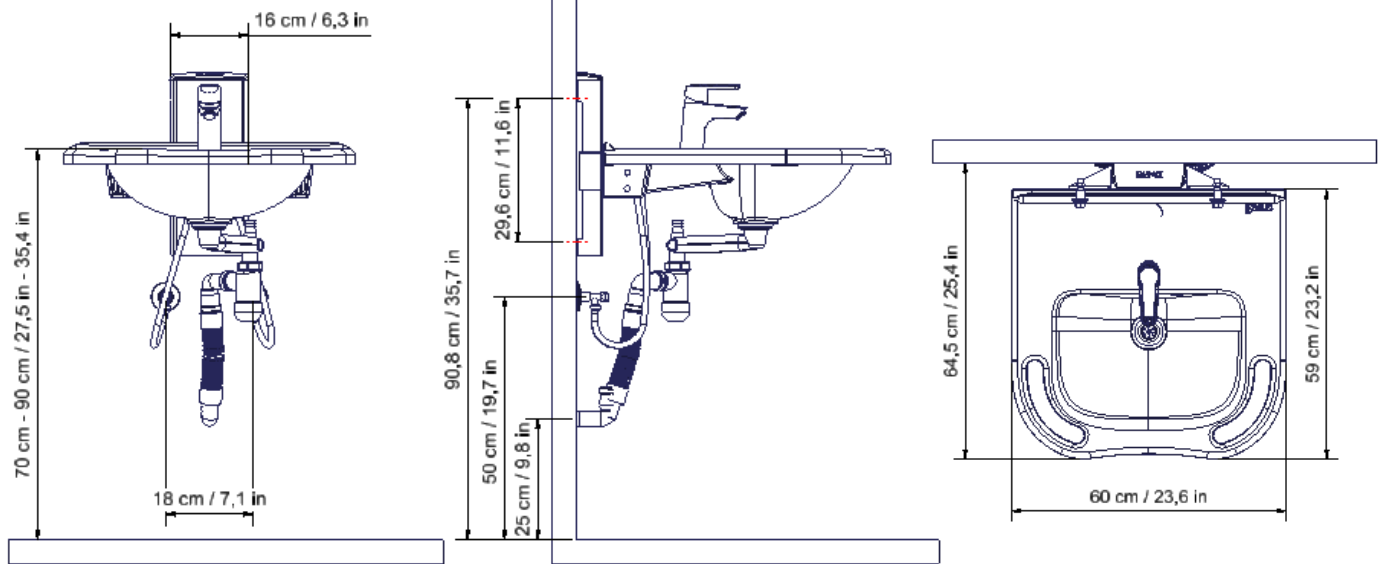


40-42010

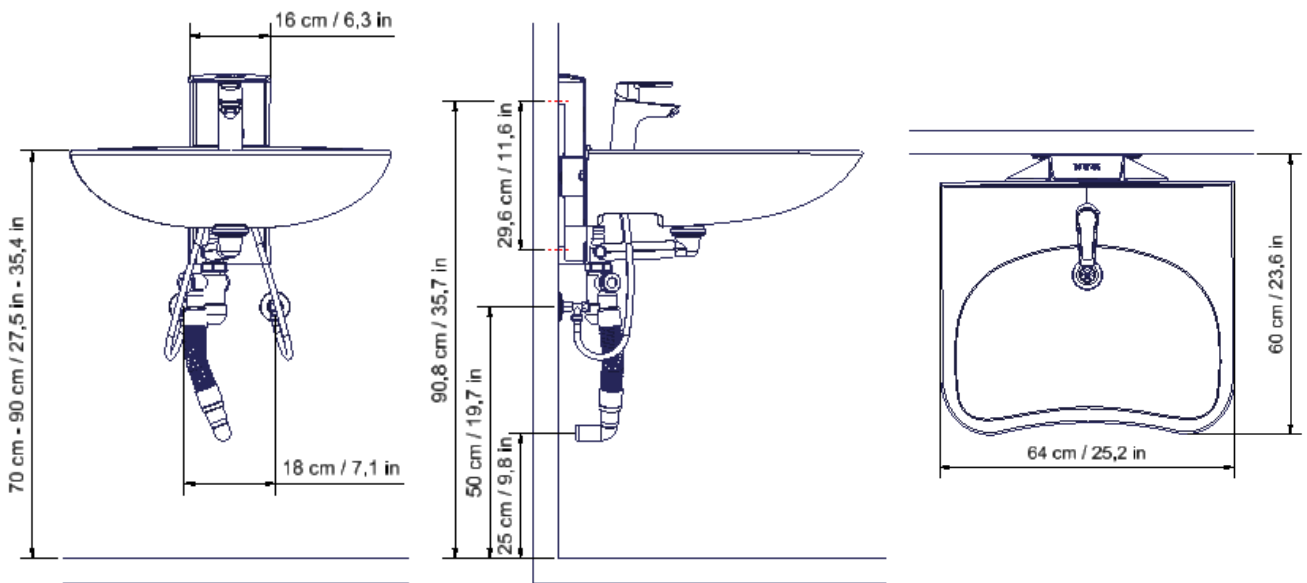


NB: All dimensions are in cm / in

40-42011



40-42012



NB: All dimensions are in cm / in

3.6 Use

Height adjustment

The washbasin height can be adjusted by means of the flexible handle. The grey top cover must be dismantled first, however.

Then mount the flexible handle on the hexagonal shaft. Subsequently, the washbasin height is adjusted by turning the handle.



Caution!

When the unit is adjusted in height, it is possible to squeeze fingers between the cover and the unit.

Using flexible hand crank can position moving hand close to wall.



Note!

Be careful not to swing the crank into the mirror or tile on the wall. They can break.

3.7 Safety in use

- Ropox AdaptLine may only be used by persons who have read and understood these instructions.
- Always use the product in a manner excluding the risk of damage to persons or property. The person operating the Ropox AdaptLine is responsible for avoiding damage or injury.
- Any modification which may influence the performance or construction of the product is not allowed.
- Installation, service, and repairs may only be carried out by qualified personnel.
- During inspection, service, or repairs any load must be removed from the unit.
- Be aware of water splashing from the wash basin during use or adjusting the height. A wet floor will result in a slipping hazard.

3.8 Cleaning

During use, the product may get dirty. It is very important to clean the unit as described in these instructions.

Cleaning of unit

Ropox AdaptLine may be wiped with a wrung cloth with lukewarm water and a mild detergent. Do not use corrosive/grinding fluids or scouring sponges.


Disinfection may be done with household disinfectants.

Cleaning of washbasins

Wash the surfaces daily with water and wipe off with a dry cloth. Do not use detergents containing hard abrasives – e.g. steel wool, scouring powder, or sulphuric acid.

If the water has a high calcium content, calcareous deposits will often occur in the washbasin. These deposits should be removed at least once a week by using a detergent containing citric acid, acetic acid, or phosphoric acid. Leave the detergent to work for 5-10 minutes depending on the thickness of the deposits and clean thoroughly with a soft sponge.

Disinfection of the washbasin may be done with household disinfectants.

	<p>Note!</p> <p>Do not use cleaning agents containing abrasive e.g. scouring powder, steel wool, scouring sponge.</p> <p>This product is not designed to be sterilized, autoclaving and sterilization beyond normal cleaning is may possibly change the product safety and function.</p>
---	---

4. Mounting instructions

4.1 Installation information

Construction

The wall must be of a suitable material for screws and approved for wet rooms.
The grey-shaded area states the minimum area for reinforcement of the wall.

Load tested in accordance with DS/ISO 17966:2016, the max. user weight is:

40-42010: 165 kg / 363 lbs

40-42011: 165 kg / 363 lbs

40-42012: 120 kg / 264 lbs

40-42110: 200 kg / 440 lbs

Max. tensile load of top screws

40-42110: 50 kg / 110 lbs

40-42010: 50 kg / 110 lbs

40-42011: 50 kg / 110 lbs

40-42012: 50 kg / 110 lbs

Plumbing

The drain is $\varnothing 32$ mm / 1,3 in.

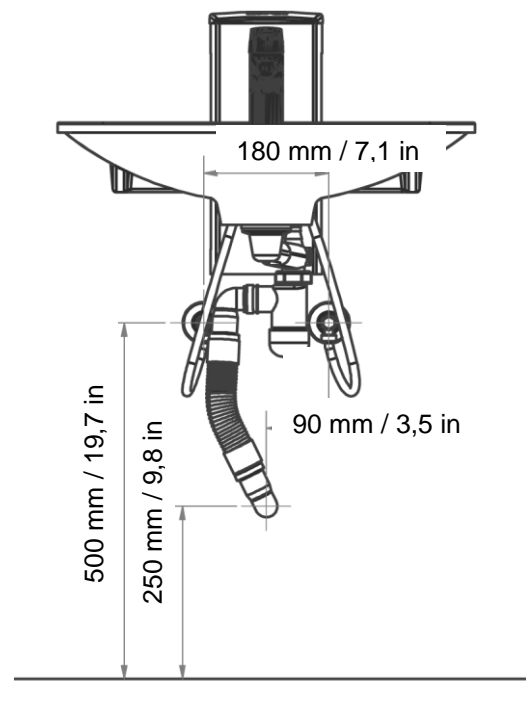
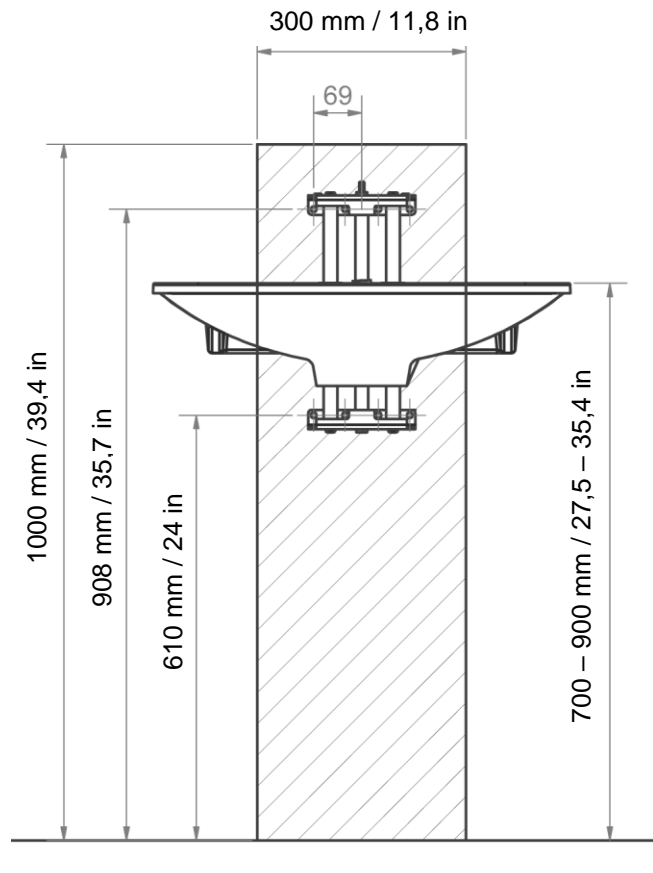
The water supply ends with 2 (two) 90° stop valves with 1/2" outside thread pointing downward.

All hoses for water and drain installations must be flexible to ensure free and unhindered adjustments within the height adjustment range of 70-90 cm / 27,5 – 35,4 in (the upper side of the washbasin).

For the purchase of adapters for connection to various standard installations, see the section "Connection adapters".

Note:

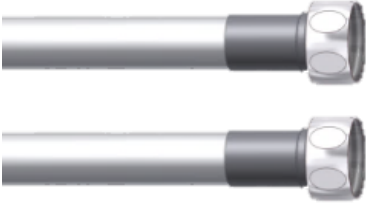





All dimensions are based on a washbasin height of 700-900mm / 27,5 – 35,4 in above floor level. If a change of this height is required, the recommended dimensions must be changed accordingly.







4.2 Connection adapters

The below components illustrated in blue are available depending on the type of installation in the building.







Water connection adapters

Hoses from washbasin	Adapter	Installation in room (not included)
 1/2"	No adapter needed	 1/2" Thread
	 1/2" -> 3/8" Item no. 97001670	 3/8" Thread
	 1/2" -> 15mm / 0,6 in Item no. 97001666	 15mm / 0,6 in Pipe


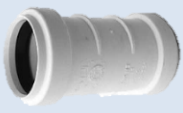


Water hose extensions

Hose from washbasin	Coupling piece	Extra hose
	 1/2" -> 1/2" Item no. 97001669	 1/2" x 1/2", 05m, steel Item no. 97001123
		 1/2" x 1/2", 1m, plastic Item no. 97001120

Drain adapters

Drain from washbasin	Adapter	Installation in room (not included)
 Ø32	No adapter needed	 Ø32 mm / 1,3 in
	 Ø32mm/1,3in -> Ø40mm/1,6in Item no. 97001660	 Ø40 mm / 1,6 in
	 Ø32mm/1,3in -> Ø50mm/2in Item no. 97001661	 Ø50 mm / 2 in

Drain extensions

Drain hose from washbasin	Coupler	Extra drain hose
 Ø32	 Ø32mm/12,6in- Ø32mm/12,6in Item no. 97001062	 Ø32mm/1,3in Flex hose, 27-62cm/10,6-24,4in Item no. 97001162
		 Ø32mm/1,3in Flex hose, 40-110cm/15,7-43,3in Item no. 97001161

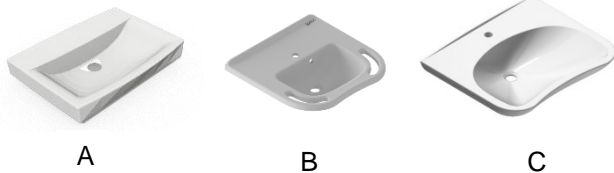
4.3 List of components

1 (one) height adjustment unit
40-42110



List of components for Complete models 40-42010, 40-42011, and 40-42012

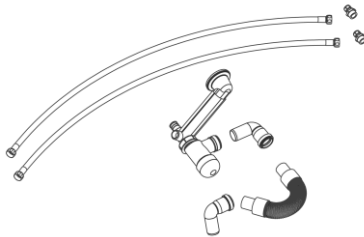
1 (one) washbasin
40-42010 (A), 40-42011 (B), 40-42012 (C)



1 (one) mixer tap
Oras Saga 3910F



1 (one) plumbing kit
1 (one) 97001601 Siphon
1 (one) 97001162 Flexible drain hose $\varnothing 32$
2 (two) 97001035 Drain elbow $88,5^\circ$
2 (two) 97001012 Nipple $\frac{1}{2}$ " to $\frac{3}{8}$ "
2 (two) 97001123 Connecting hose $\frac{1}{2}$ " 0.5m



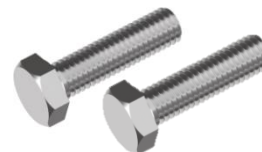
1 (one) kit of mounting parts for bolt mounted washbasin



1 (one) replacement screw for drain
 $\varnothing 4.8 \times 70$ A2 (only for 40-42010)

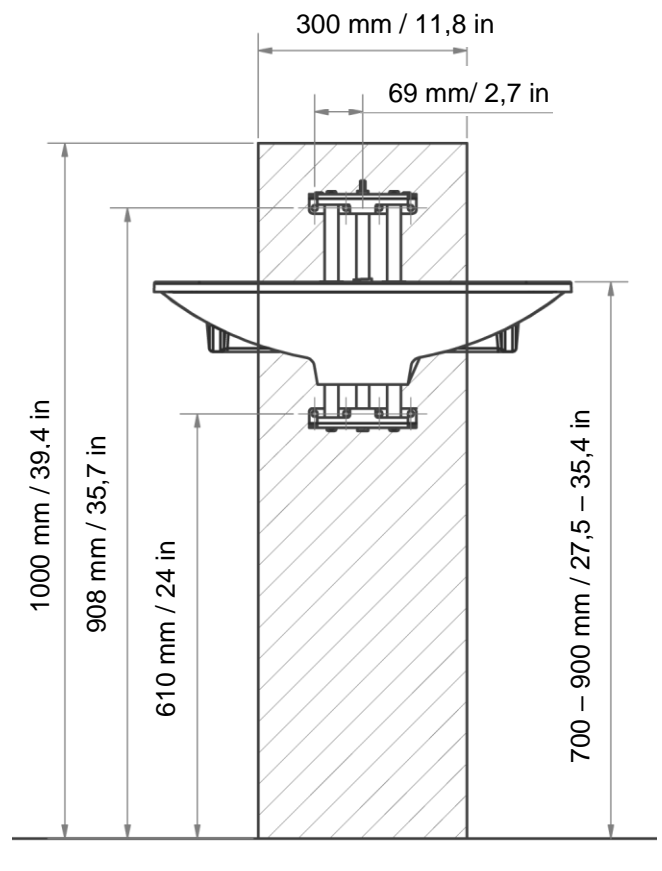
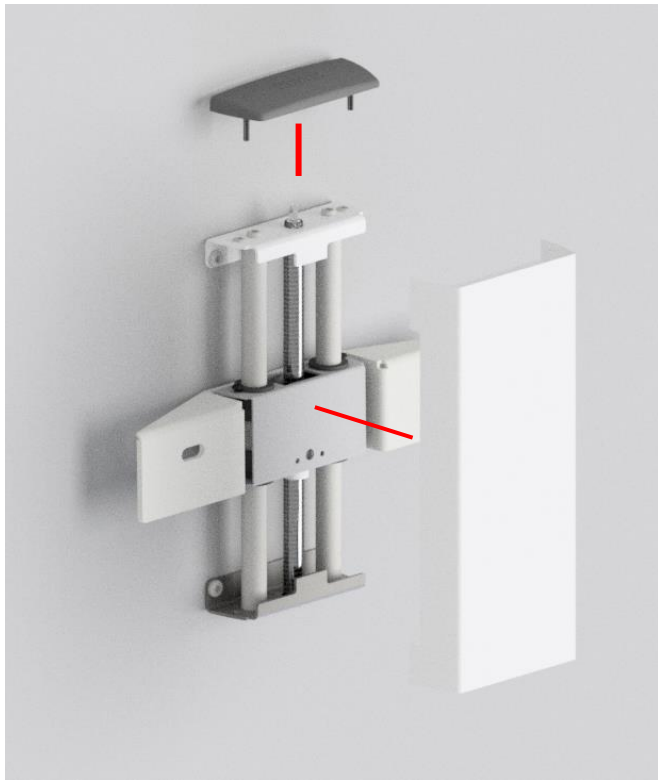
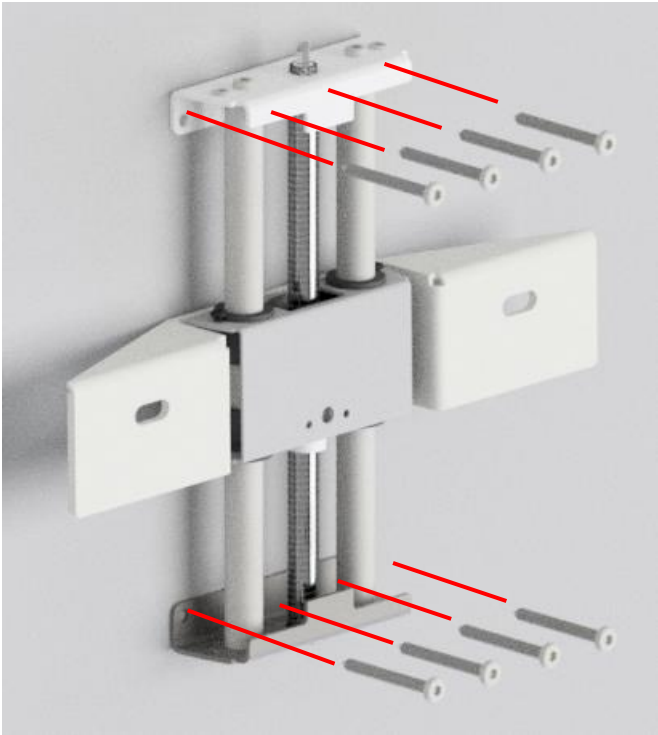


2 (two) bolts
M12x65



4.4 Mounting instructions

Prior to the installation, please make sure that all parts have been provided in accordance with the list of components.

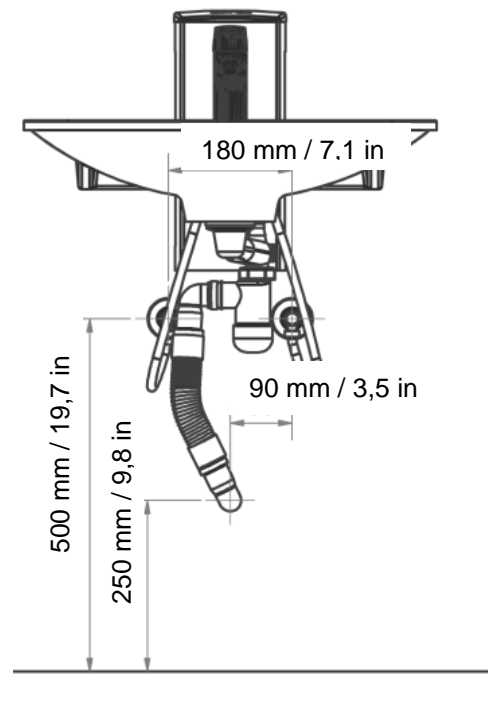




Caution!

When mounting a porcelain washbasin, an insulation foam pad **MUST** be placed between the washbasin and the unit. It is recommended to grout around the washbasin.






Caution!

hoses not mounted correctly, floor is wet and slippery

5. Service information

5.1 Maintenance

	<p>Caution!</p> <p>Inspections, service, and repairs must be carried out by qualified personnel</p>
---	--

Ropox AdaptLine is maintenance-free. Moving parts have been lubricated for life. For reasons of safety and reliability, we recommend a performance test once a year.

5.2 Performance test

After one month

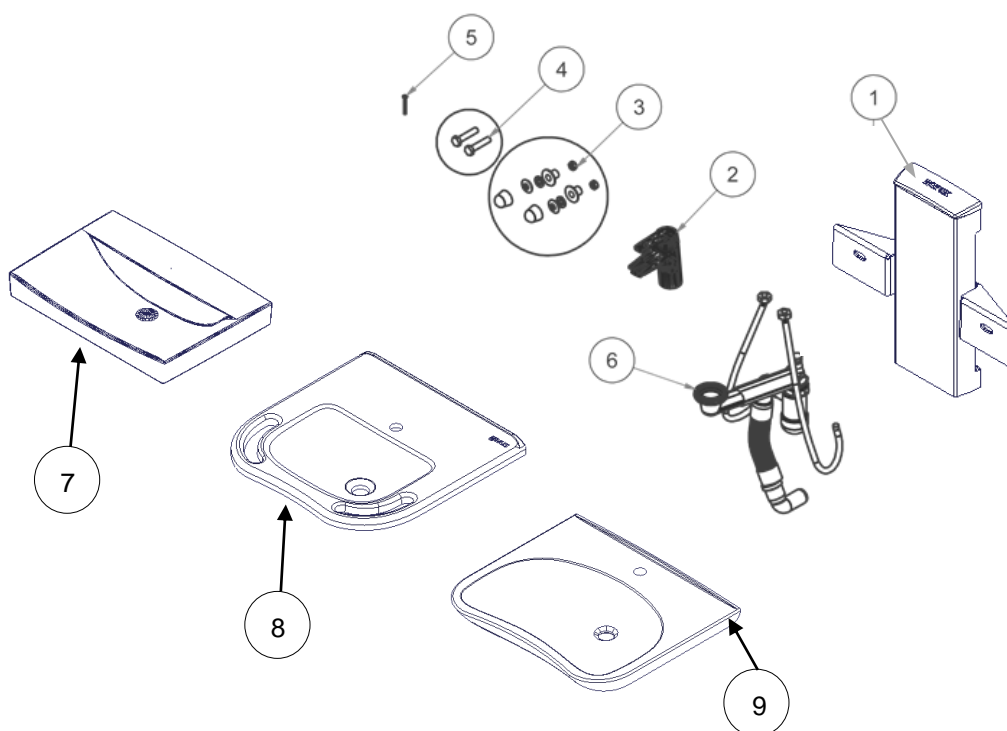
Check:

Mounting of bolts and screws

Ropox AdaptLine moves unhindered within its height adjustment range.

6. Spare parts

For 40-42110-2, 40-42010-2, 40-42011-2 and 40-42012-2



#	Description	In product	Item no.
1	Ropox AdaptLine Unit Manual	1	40-42110-1
2	Mixer tap Oras Saga 3910F	1	97001706
3	Mounting parts for bolt mounted washbasin	1	97001467
4	Bolt M12x65	2	95041265
5	Stainless screw $\varnothing 4.8 \times 70$ (only for 40-42010-2)	1	95091070
6	Plumbing kit for AdaptLine unit	1	40-25731-1
7	60cm washbasin (only for 40-42010-2)	1	97001578
8	60cm straight support washbasin (only for 40-42011-2)	1	97001582
9	64cm hospital washbasin (only for 40-42012-2)	1	97001576

7. Environmental protection

The product is not intended to be disposed as municipal waste. Proper disassembly, sorting and disposal of components must be done by waste disposal professionals.



Part	Disposal recommendation
Wash basin	Ceramic
Unit	Steel waste
Top cover	Plastic

8. Complaints

See our general terms of sale and delivery on www.ropox.com

**UK
CA**

CE

ROPOX A/S

Ringstedgade 221
DK – 4700 Næstved

Tel.: +45 55 75 05 00 Fax.: +45 55 75 05 50

E-mail: info@ropox.dk

www.ropox.com