



Ropox FlexiBasic

30-63XXX

User manual

Mounting instruction

This folder must always be kept with the product!

Content

1.	INTRODUCTION	3
2.	COMPLIANCE WITH EU-DIRECTIVES AND UK-DIRECTIVES	3
3.	APPLICATION	3
4.	TECHNICAL DATA FLEXIBASIC	4
5.	SUPPLY POINTS, WATER SUPPLY AND WASTE	5
	5.1 <i>Tips og tricks</i>	6
	5.1.1 <i>Tension in upper bolts of Flexi frames</i>	6
6.	MOUNTING INSTRUCTIONS, ILLUSTRATIONS	7
6.	MOUNTING INSTRUCTIONS, DESCRIPTIONS	11
	6.1 <i>Assembly of frame</i>	11
	6.2 <i>Mounting the support arms</i>	11
	6.3 <i>Mounting the frame on the wall</i>	11
	6.4 <i>Mounting of fittings for front fascia</i>	11
	6.5 <i>Mounting the worktop</i>	12
	6.6 <i>Mounting the wooden front fascia</i>	12
	6.7 <i>Mounting the side fascia</i>	12
	6.8 <i>Adjusting the worktop/ support arms</i>	12
	6.9 <i>Mounting of distance plates (1cm) for skirting board</i>	12
	6.10 <i>Mounting the flexible water connections and waste hoses</i>	12
	6.11 <i>Adjusting the height of the worktop, by using the Jack-Up unit</i>	13
	6.12 <i>Mounting the supporting feet</i>	13
	6.13 <i>Mounting the covers for the legs</i>	13
	6.14 <i>Mounting the concealment panels</i>	13
7.	PERFORMANCE TEST	14
8.	LIST OF COMPONENTS FOR FLEXIBASIC FOR WORKTOP 60-300 CM	14
9.	OPTIONS FOR FLEXIBASIC	15
10.	SAFETY IN USE	16
11.	CLEANING AND MAINTENANCE	16
	11.1 <i>Cleaning</i>	16
	11.2 <i>Maintenance</i>	16
	11.3 <i>Service schedule, operation and maintenance</i>	17
12.	TROUBLESHOOTING	18
13.	COMPLAINTS	19

1. Introduction

You have chosen FlexiBasic, the multi-flexible, height-adjustable, easy-to-mount frame. The frame may be used separately or in combination with Verti or Diagonal, the adjustable system for wall cupboards.

The frame has no inconvenient fascia and, consequently, the adjustment of the working height from 65 to 95 cm + worktop thickness may be fully utilised.

Under the worktop there is sufficient room for knees and legs for wheelchair users, who obtain freedom of movement and a perfect working posture.

FlexiBasic will give you a quick and easy adjustment of the frame by using the jack up. The frame can be rebuilt to a FlexiManual or a FlexiElectric at a later stage.



This document must ALWAYS be kept with the product and have been read and understood by the user.

The correct use, operation and inspection are decisive factors for efficient and safe performance.

2. Compliance with EU-Directives and UK-Directives

This product has CE-marking and thus complies with the basic safety requirements.

This product has UKCA-marking and thus complies with the basic safety requirements.

3. Application

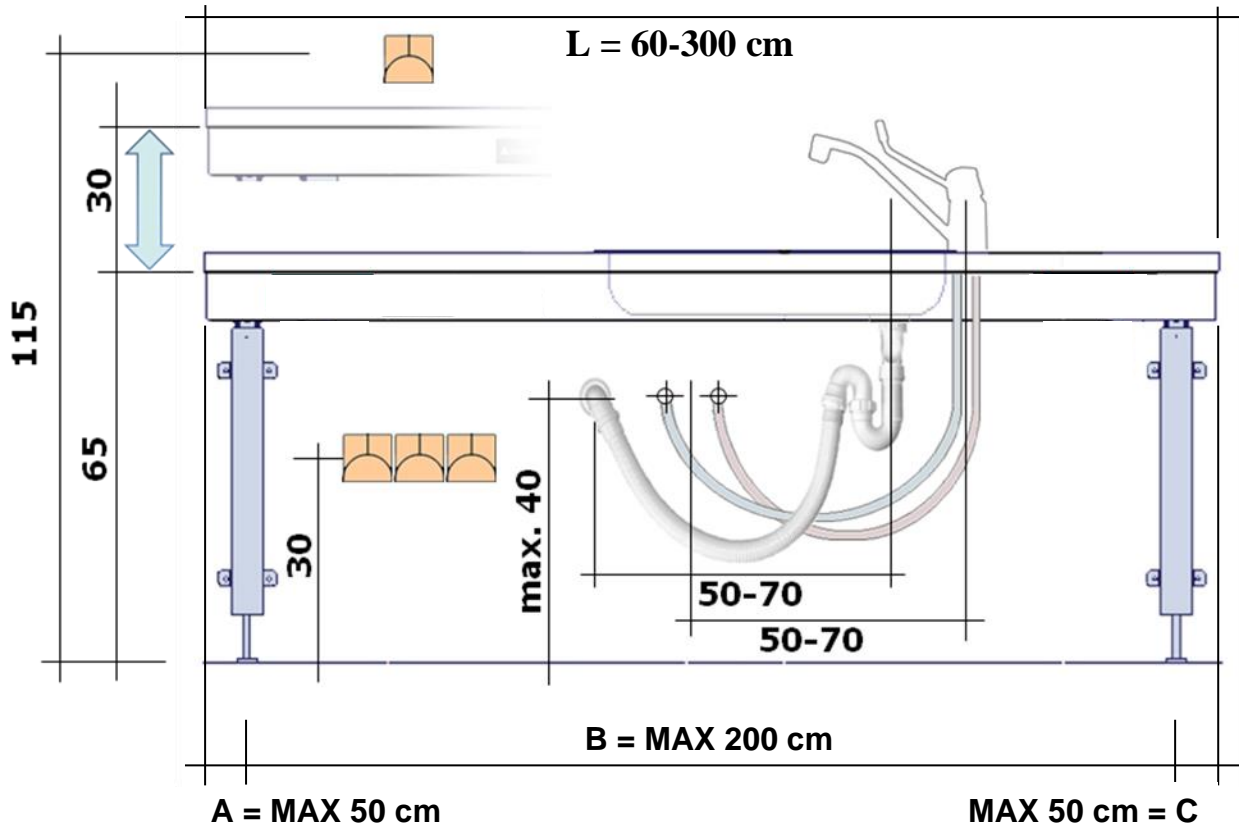
The FlexiBasic frame is adjustable in height in order to obtain optimum working height for user and helper. Do NOT use Flexi as a lifting table or person lifter.

The product should be used indoor, at temperatures and humidity as described in section 4.

4. Technical data FlexiBasic

Product name:	Ropox FlexiBasic Length of worktop = 60-300 cm
Item numbers:	30-63XXX: XXX = Length of worktop The frame is always 5 cm shorter than the worktop
Height adjustment:	65–95 cm without worktop
Material:	Welded steel tubes St. 37 Aluminium alloy 606045-T6 Plastic components
Surface treatment:	Chromite, Powder coating, Standard RAL 9010, mat white
Max. load of frame:	150 kg evenly distributed over the entire worktop
Temperature:	5-45°C
Air humidity:	5-85% (non-condensing)
Complaints:	See complaints, page 19.
Manufacturer:	Ropox A/S, DK-4700 Naestved, Tel.: +45 55 75 05 00

5. Supply points, water supply and waste



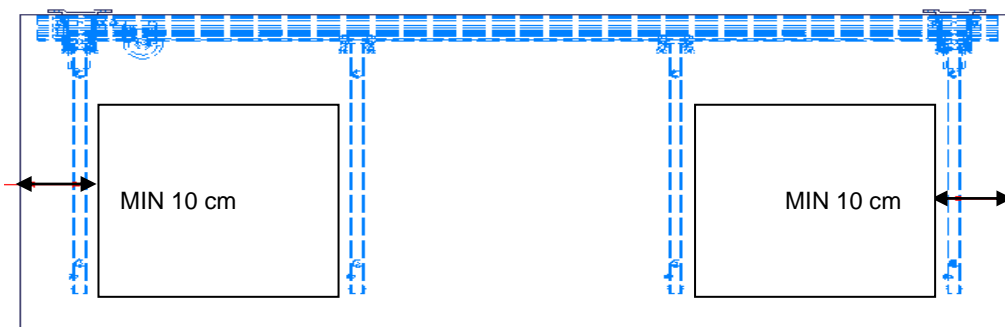
Length of Aluminum profile = Length of worktop minus 5 cm

It is important to use flexible hoses for water supply and waste to ensure that the FlexiBasic will move freely without obstacles within the height adjustment range 65-95 cm. excl. worktop.




Arrange for the fixed feed pipes on the wall to be pointing down, at a height of max. 30 cm. This will ensure that the flexible feed pipes will always flex in a neat curve close to the wall without kinking. A 90 degree valve with a 1/2" exposed thread is recommended.

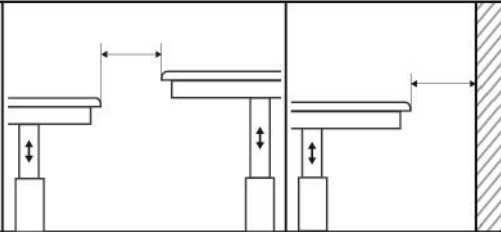


For worktops with cut-outs the distance from either side of the worktop should be considered as shown on the illustration.



Always keep 0,5 cm space all away around the worktop

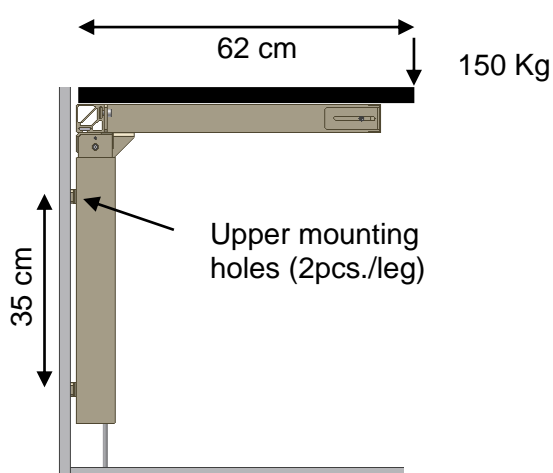
	<p>Warning!</p> <p>When mounting a hob in the tabletop, remain aware of the dangers hereby: <u>Gas hob</u> – Always be aware of the movement of the table together with the gas hoses. If these are obstructed during the movement, this can lead to gas leakage, which can be deadly! <u>Induction hob</u> – Always be aware to not bring radio equipment any closer than 30cm to the hob, this includes pacemakers!</p>
---	--

In cases where the space can not be kept below 0.5cm, the recommendations below should be adhered to, in order to minimize risk of entrapment.

ISO 21856	
	<5mm / >25mm
	<60mm / >300mm

5.1 Tips and tricks

5.1.1 Tension in upper bolts of Flexi frames



Calculation has been done for ONE leg, which will be worst case. Worktop 62 cm deep.

Max. Permissible load at the Flexi frame is 150 Kg, evenly distributed. In this example we have put the max. Load in the front of the worktop.

$$\text{Tension upper bolts: } \frac{150 \times 62}{35 \times 2} = 133 \text{ Kg/bolt}$$

Safety factor must be used:

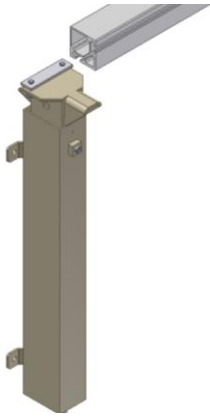
Safety factor 1	⇒	133 Kg/bolt
Safety factor 2	⇒	266 Kg/bolt
Safety factor 3	⇒	399 Kg/bolt

Under normal circumstances the load will be distributed to the two legs (4 bolts)

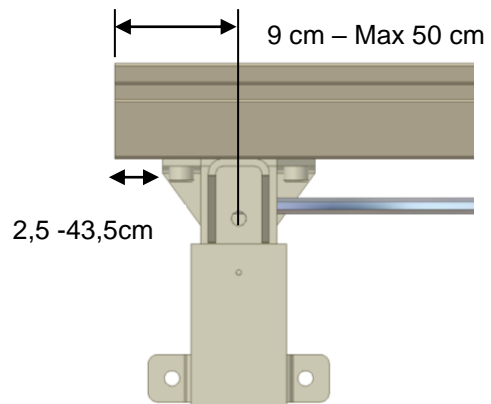
6. Mounting instructions, illustrations

The equipment should always be assembled by competent personnel.

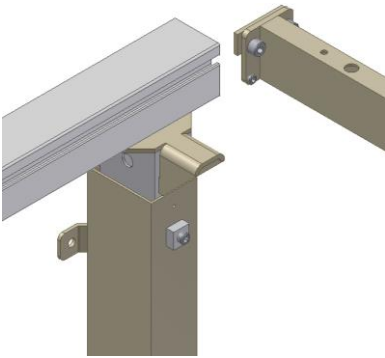
Prior to assembly check that all parts have been provided. See list of components, from page 14. See also mounting instructions page 11.



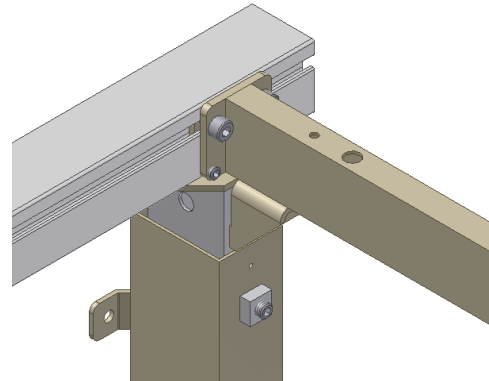
6.1.1



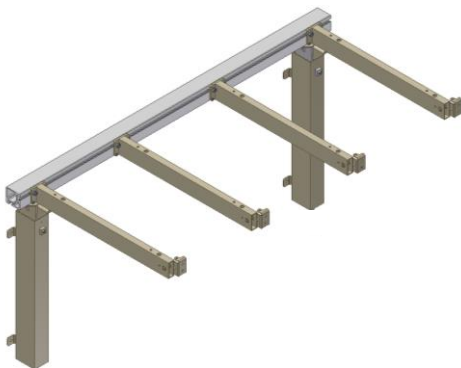
6.1.2



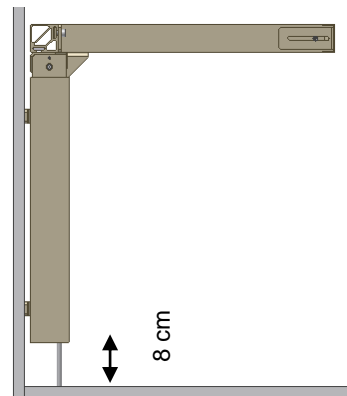
6.2.1



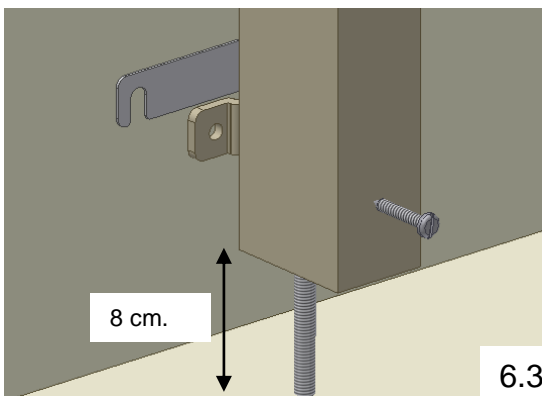
6.2.2



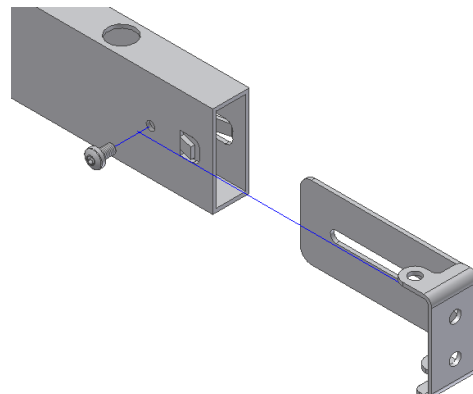
6.3.1



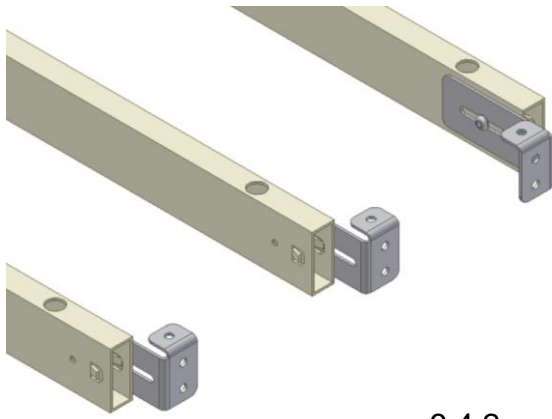
6.3.2



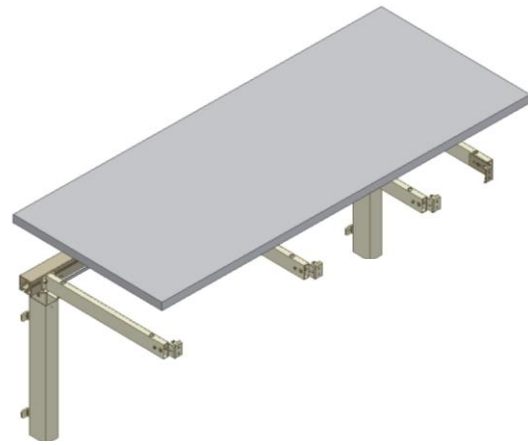
6.3.3



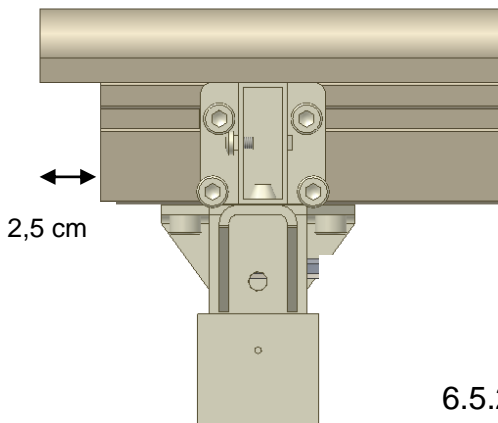
6.4.1



6.4.2

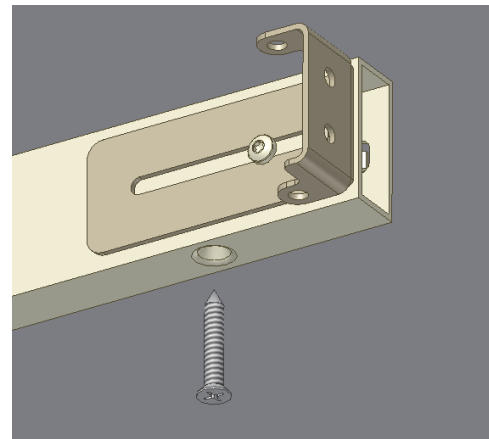


6.5.1

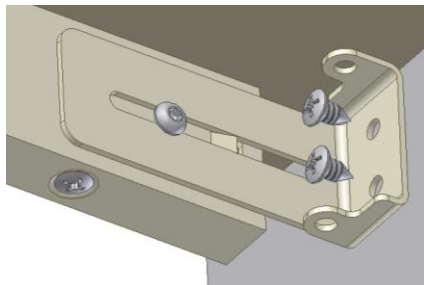


2,5 cm

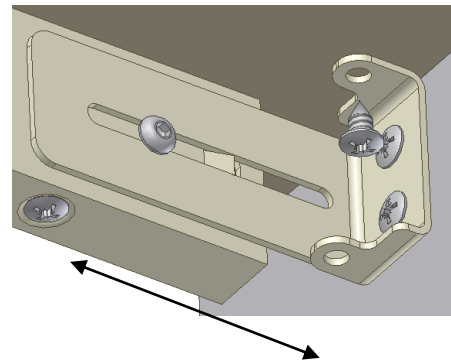
6.5.2



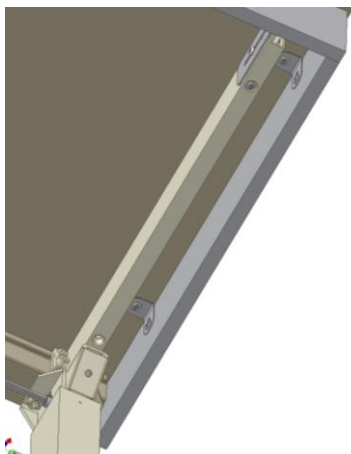
6.5.3



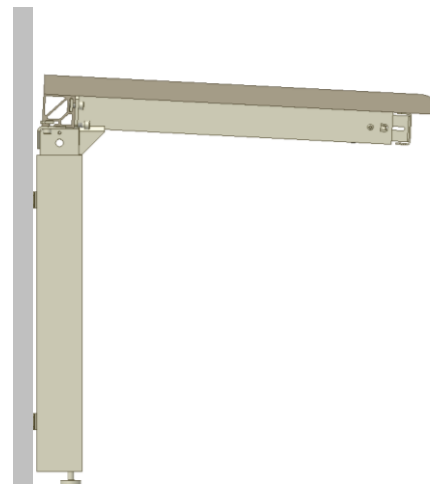
6.6.1



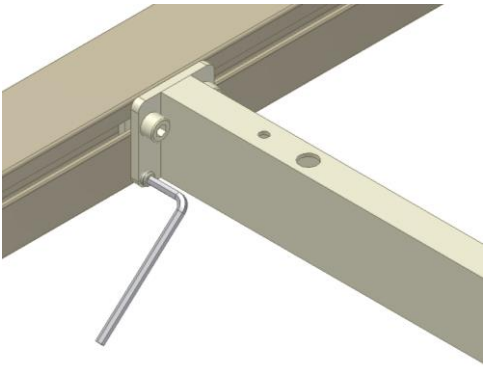
6.6.2



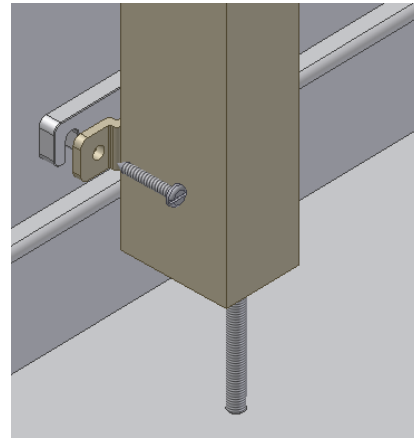
6.7.1



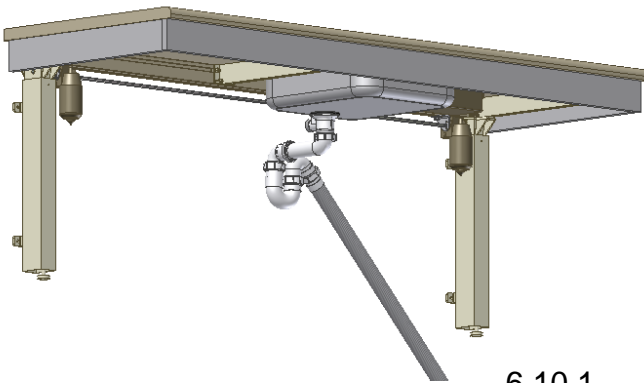
6.8.1



6.8.2



6.9.1



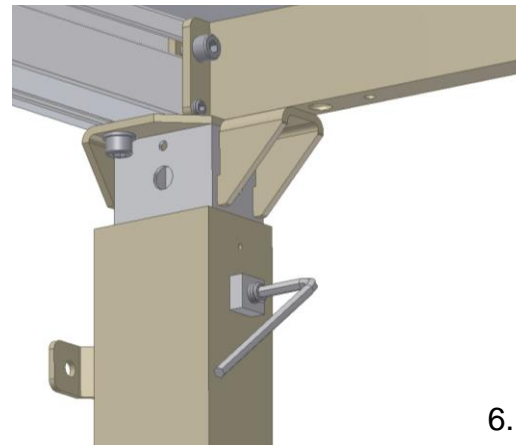
6.10.1



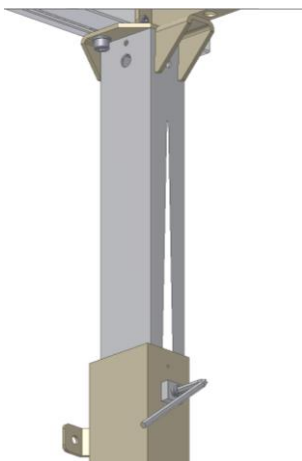
6.11.1



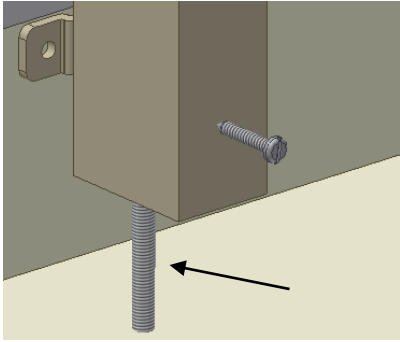
6.11.2



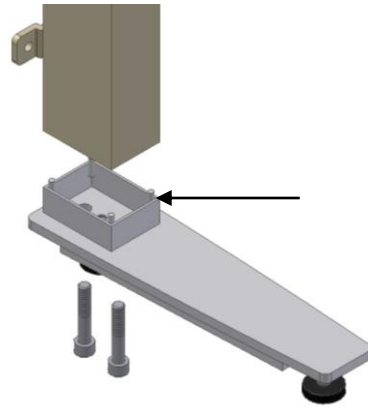
6.11.3



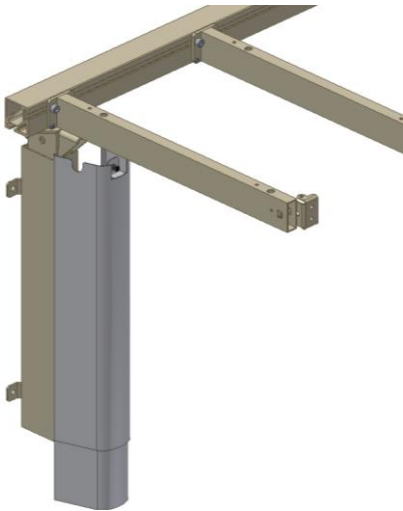
6.11.4



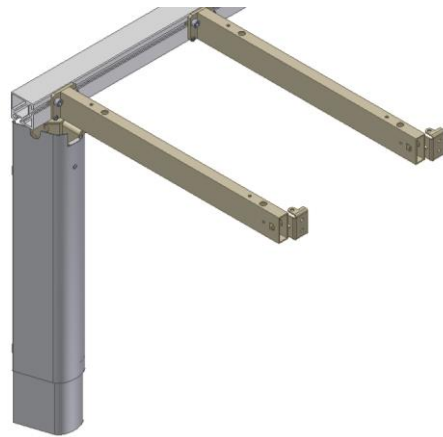
6.12.1



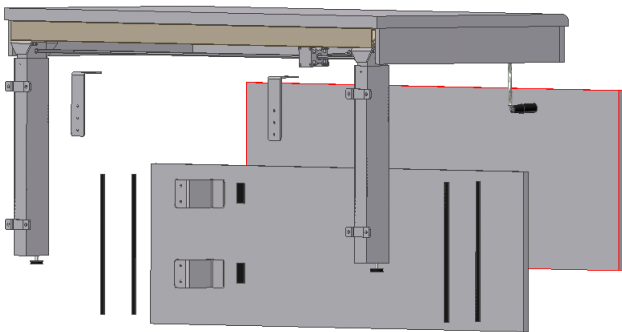
6.12.2



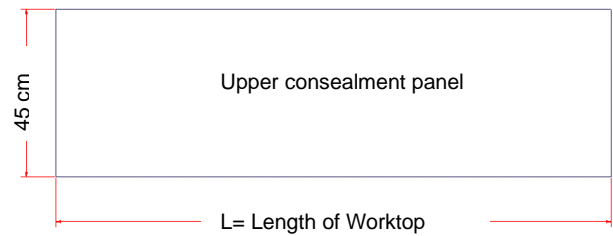
6.13.1



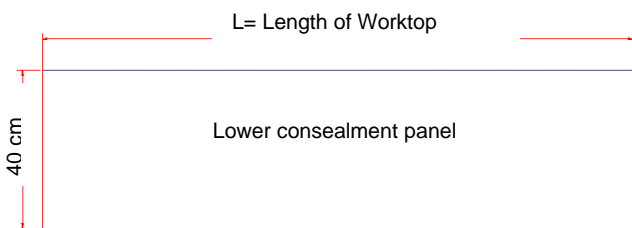
6.13.2



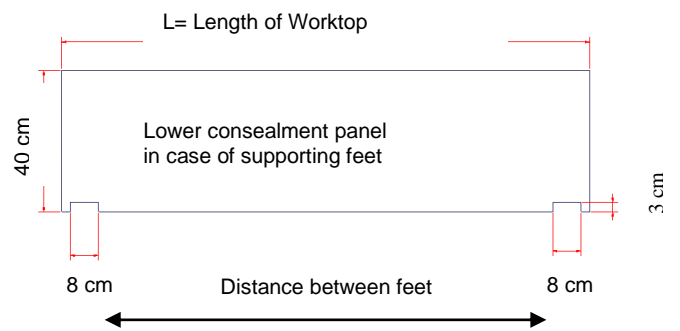
6.14.1



6.14.2



6.14.3



6.14.4

6. Mounting instructions, descriptions

The equipment should always be assembled by competent personnel.

Prior to assembly check that all parts have been provided. See list of components, from page 15. See also mounting drawings page 7.

6.1 Assembly of frame

6.1.1 Push the legs into the groove of the lower side of the aluminium profile.

6.1.2 Position the adjustable legs on the aluminium profile, 2,5 cm from the left edge.

If there are any socket outlets obstructing the legs, move the leg a little towards the middle. For frames with two legs, place one leg on either side.

Secure each leg to the aluminium profile with two bolts.

To obtain the correct height (65-95 cm without worktop) adjust the threaded bolt to each leg. After mounting, the threaded bolts can be turned up to be hidden by the leg.

6.2 Mounting the support arms

6.2.1 The support arms may be pushed into the aluminium profile from either side to the required position and fastened with two screws on each support.

6.2.2 Where you have an adjustable leg **always** position a support arm directly over it. Do not adjust the tilting of the arm supports that are positioned on top of the legs (see 6.8.1).

We recommend a maximum distance between the support arms of 60 cm in order to obtain optimum stability.

6.3 Mounting the frame on the wall

6.3.1 Place the frame against the wall and align it. Adjust the two threaded bolts under the legs to ensure that the frame is horizontal.

6.3.2 To obtain the correct height (65-95 cm without worktop) adjust the threaded bolt to each leg. After mounting, the threaded bolts can be removed.

Mark and drill the holes for fastening.

Fasten the frame to the wall by means of screws and raw plugs suiting the material of the wall.

6.3.3 Misalignments up to 0,45 cm on the wall may be adjusted by fitting the provided spacers (0,15 cm) between the legs and the wall.

Loosen the legs a bit and slide the spacers in between the wall and the legs, as required, at the top or bottom depending on whether the wall is vertical.

6.4 Mounting of fittings for front fascia

6.4.1 Fittings for mounting of the wooden front fascia are provided, corresponding to the number of support arms. Place the front fascia fittings on the side of the support arm and fasten them loosely by means of the screw provided.

- 6.4.2 On the outermost support arms we recommend pointing the front fascia fittings towards the middle of the frame to prevent them from conflicting with the side fascia.

6.5 Mounting the worktop

- 6.5.1 Place the tabletop on the frame. The maximum permissible distance from the back of the tabletop to the wall is 0.5 cm. (safety issue)

If the frame is moved away from the wall, the distance from the back of tabletop to the wall **MUST** still be equal to or less than 0.5 cm.

- 6.5.2 The standard aluminium profile is 5 cm shorter than the worktop, resulting in a 2.5 cm projection on either side.

- 6.5.3 Fasten the worktop with screws through the holes of the support arms.

6.6 Mounting the wooden front fascia

- 6.6.1 Fasten the wooden front fascia at the required position under the worktop by means of a clamp. Press the front fascia fittings forward against the wooden front fascia and fasten with screws from the inside.

- 6.6.2 By screwing the front fascia fittings into the worktop you pull the front fascia upward. Finally tighten the screws on the side of the support arm.

6.7 Mounting the side fascia

- 6.7.1 Furniture fittings are provided with the frame to keep the wooden side fascia up against the worktop.

6.8 Adjusting the worktop/ support arms

- 6.8.1 After placing the worktop on the frame you may have to compensate for the weight of the worktop if the frame is no longer horizontal from the wall to the front fascia.

- 6.8.2 By means of the two lower screws of each support arm the "tilting" may be adjusted. Start by loosening the two screws fastening the support arm to the aluminium profile and adjust the two lower screws to make the worktop horizontal. Finally retighten the two upper screws. Repeat this procedure for the support arms in the middle.



Do not adjust the support arms placed directly above the legs.

6.9 Mounting of distance plates (1cm) for skirting board

* **Option**

- 6.19.1 In case of skirting boards, you can use the 1 cm deep distance plate to pack the frame out from the wall.

6.10 Mounting the flexible water connections and waste hoses



Arrange for the fixed feed pipes on the wall to be pointing down, at a height of max. 30 cm. This will ensure that the flexible feed pipes will always flex in a neat curve close to the wall without kinking. A 90 degree valve with a 1/2" exposed thread is recommended.

6.10.1 When connecting hot and cold water as well as waste hoses ALWAYS use flexible hoses to enable the frame to move freely within the height adjustment range (65-95 cm).

The flexible hoses should be fitted so that they may move in an arch parallel with the wall, but without getting squeezed.

The length of the hoses must suit the fastening and the travel of the frame.

We recommend that water seal and waste pipe be directed backwards towards the wall in order to obtain optimum space under the table and the sink.

6.11 Adjusting the height of the worktop, by using the Jack-Up unit

6.11.1 Position the Jack-up underneath the frame in the centre position - the top of the Jack-up fits into the groove of the aluminium bar .

6.11.2 Adjust the Jack-Up so that it bears the weight of the worktop. Loosen the two bolts (see 6.11.3), one on each leg. Adjustment to the desired height can be done by winding the handle on the Jack-Up.

6.11.3 Fasten the bolt on one side, making sure that the worktop is horizontal before fastening the second bolt. (If the frame has three legs, three bolts must be fastened)

6.11.4 The inner leg is bevelled so that the upper frame can only move down slowly, as the bolt is loosened.

6.12 Mounting the supporting feet

* **Option**

6.12.1 Remove the adjusting screw of the leg.

6.12.2 Fit the foot and the extension to the leg with the screws provided and tighten the screws.

6.13 Mounting the covers for the legs

* **Option**

6.13.1 Press the covers, consisting of an inside and an outside cover, carefully over the leg.

6.13.2 Lift up the upper/outside cover and press the snap lock into the hole of the leg. It is important to pull the snap lock completely out prior to mounting. Now press in the snap lock to lock it.

6.14 Mounting the concealment panels

* **Option:** Fittings for mounting the concealment panels (panels not supplied by Ropox)



For three-legged frames use two sets of fittings.

6.14.1 Inside/lower concealment panels:

Fasten the Z-fittings to the wall in the middle between the legs. Fit Velcro on the Z-fittings and the concealment panels.

Also fit Velcro on the legs and the concealment panels. The concealment panels may now be fitted.

Outside/upper cover plate:

Fit the two angular fittings on the inside of the outside/upper concealment panel. Now fit the angular fittings on the bottom side of the worktop.

- 6.14.2 Dimension sketch outside/upper concealment panel. The length is identical with the length of the worktop. The height must be 45 cm.
- 6.14.3 Dimension sketch inside/lower concealment panel. The length is identical with the length of the worktop. The height must be 40 cm.
- 6.14.4 Inside/lower concealment panel (in case of supporting feet). The length is identical with the length of the worktop. The height must be 40 cm. Cut-out for feet must be 8 cm wide and 3 cm high. The cut-outs of the cover plate must suit the position of the supporting feet.

7. Performance test

After installation and prior to use all functions of Flexi must be tested. The test must be carried out by competent personnel. Subsequently the test shall be carried out at least once a year:

1. Check that the mounting instructions have been observed.
2. Check that all bolts have been tightened.
3. There must be no load on the frame.
4. There must be nothing preventing the frame from moving freely within the height adjustment range (65-95 cm).
5. If all these tests are ok, the FlexiBasic is ready for use.

8. List of components for FlexiBasic for worktop 60-300 cm

Legs, standard height 65-95 cm. 30-63400:

Length of worktop = 60-300 cm

2 legs

The legs comprise:

30-67681 Spacers (0.15 cm)
For misalignment

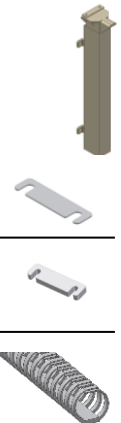
3 pcs./leg

30-67680 Distance plates (1 cm)
For skirting board

2 pcs/leg

30-67685 Cable bearer

1 pc./leg



Support arm for worktop 60-62 cm 30-67620:

Length of worktop = 60-104 cm

2 pcs.

Length of worktop = 105-204 cm

4 pcs.

Length of worktop = 205-249 cm

5 pcs.

Length of worktop = 250-300 cm

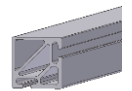
7 pcs.



Aluminium profile 30-68xxx:

Length (XXX) = Worktop length ÷ 5cm
At increments of 5 cm

1 pc.



9. Options for FlexiBasic

Jack-up unit for FlexiBasic 30-63402:

1 stk.

Jack-up comprise:

20*60320-297 Handle

1 stk



Support arm for worktop depth 70-72 cm 30-67621:

Length of worktop = 60-104 cm

2 pcs.

Length of worktop = 105-204 cm

4 pcs.

Length of worktop = 205-254 cm

5 pcs.

Length of worktop = 255-300 cm

7 pcs.



Support arm for worktop depth 58-60 cm 30-67624:

Length of worktop = 60-104 cm

2 pcs.

Length of worktop = 105-204 cm

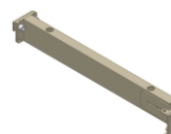
4 pcs.

Length of worktop = 205-254 cm

5 pcs.

Length of worktop = 255-300 cm

7 pcs.



Support arm for worktop depth 50-52 cm 30-67622:

Length of worktop = 60-104 cm

2 pcs.

Length of worktop = 105-204 cm

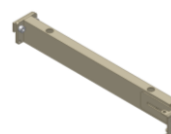
4 pcs.

Length of worktop = 205-254 cm

5 pcs.

Length of worktop = 255-300 cm

7 pcs.



Distance plate (1 cm) 30-67680:

For skirting board

1 pc.



Distance bracket (7 cm) 30-67672:

For void behind the frame

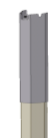
1 pc.



Cover 30-67735:

Length of worktop = 60-300 cm

2 pcs.



Cover for supporting foot 30-67737:

Length of worktop = 60-300 cm

2 pcs.



Fittings for concealment panels 30-67760:

1 set



Supporting foot, L = 30 cm 30-67702:

Length of worktop = 60-300 cm

2 pcs.



Supporting foot L = 49 cm 30-67703:

Length of worktop = 60-300 cm

2 pcs.



Each foot comprises:

30*65561-004 Leg extension for foot

1 pc.



10. Safety in use

- The Flexi frame should only be used by people, who have read and understood these instructions.
- Flexi is a height-adjustable frame and should not be used as a lifting table or person lifter.
- Always use the Flexi frame so there is no risk of damage to people or property. The person, who operates the Flexi frame, is responsible for avoiding damage or injury.
- Make sure that there is free space above and below the Flexi frame to allow height adjustment.
- Do not overload the Flexi frame and make sure that the load distribution is correct.
- Any modification of the Flexi frame, which may influence its operation or construction, is forbidden.
- Installation, service and repairs must be carried out by competent personnel.
- In case of inspections, service or repairs make sure that the Flexi frame is not loaded.
- If the Flexi frame has not been installed in accordance with these mounting instructions, the guarantee may become void.
- Only use Ropox original spare parts as replacement parts. If other spare parts are used, the guarantee may become void.

11 Cleaning and maintenance

11.1 Cleaning

The frame may get dirty during use. It is very important to clean the frame as described in these instructions.

Clean the frame with a damp cloth using lukewarm water and ordinary cleaning agents. Do not use Corrosive/ abrasive liquids or abrasive cloths, brushes or sponges. After cleaning dry the frame.

11.2 Maintenance



Inspections, service and repairs must be carried out by competent personnel

The frame is maintenance-free and the moving parts have been lubricated for life. For reasons of safety and reliability we recommend inspection of the frame once a year.

During inspections:

- Check that all bolts have been tightened.
- Check that the frame moves freely from bottom to top position without problems.
- Check that water and waste pipes are tight and undamaged.
- Check that all cables have been fitted correctly and are undamaged.

After each inspection the service schedule shall be filled in. See item 11.3.



Only use Ropox original spare parts as replacement parts. If other parts are used, the guarantee may become void.

11.3 Service schedule, operation and maintenance

Service and maintenance No.:	Serial
<hr/>	
Date:	
<hr/>	
Sign:	
<hr/>	
Remarks:	
<hr/>	
<hr/>	

Service and maintenance No.:	Serial
<hr/>	
Date:	
<hr/>	
Sign:	
<hr/>	
Remarks:	
<hr/>	
<hr/>	

Service and maintenance No.:	Serial
<hr/>	
Date:	
<hr/>	
Sign:	
<hr/>	
Remarks:	
<hr/>	
<hr/>	

Service and maintenance No.:	Serial
<hr/>	
Date:	
<hr/>	
Sign:	
<hr/>	
Remarks:	
<hr/>	
<hr/>	

12. Troubleshooting

a) The frame seems loose or unstable

The screws assembling the frame have not been securely tightened.
Tighten all screws, cf. mounting instructions.

b) The worktop is not horizontal in relation to the wall

After installation of the frame the worktop will be loaded. This deflection may be balanced by repeating item 6.8 "Adjusting the Support arms" of the mounting instructions.
Also check that the legs are vertical – see item 6.3.

c) The height of the frame cannot be adjusted / adjustment seems very difficult

1. Check that the frame is not overloaded.
2. Check that the frame moves freely and that no objects have been squeezed above or below the worktop.

13. Complaints

We refer to our general Terms of sale and delivery on our homepage www.ropox.com

ROPOX A/S

Ringstedgade 221
DK – 4700 Næstved
Tel.: +45 55 75 05 00
E-mail: info@ropox.dk
www.ropox.com