

”Technically modern tables
with a timeless look”



ROPOX ERGO GROUP TABLE

GROUP TABLES SUITABLE FOR ALL PEOPLE, REGARDLESS OF MOBILITY

The Ergo Group tables are used for meetings, dining, teaching and a range of other activities which all have one common denominator: They are used by several people with different physical needs at the same time.

The robustness and stability along with the elegant design make Ergo Group Tables well-suited for multiple purposes and people including wheelchair users since the table is created without cross bars guaranteeing easy access to the table. There are no fascia under the table and therefore it can be adjusted to the correct height for wheelchair users.

The mat grey table top surface is highly practical and does not cause annoying glare. You can manually adjust the table height with the detachable handle.



ROPOX™

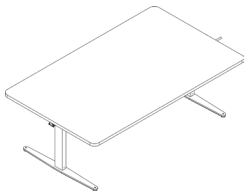
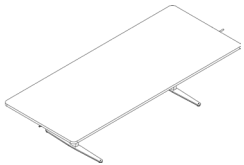
BETTER WAYS TO BETTER DAYS

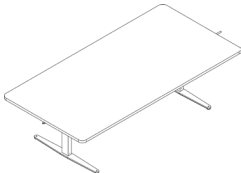
- A PART OF **AddLife**

ROPOX ERGO GROUP TABLE

Max. load capacity: 100 kg
 Height: 56-90 cm
 Depth: 165, 200 or 240 cm
 Width: 100 cm
 Inner Width: 135 cm
 Frame Colour: Silver Grey

TECHNICAL INFORMATION

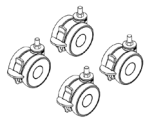
VARIANT/MODEL	A	VARIANT/MODEL	A
SIZE 165 X 100 CM		SIZE 240 X 100 CM	
	Item no.: 20-71116		Item no.: 20-71124

VARIANT/MODEL	A
SIZE 200 X 100 CM	
	Item no.: 20-71120

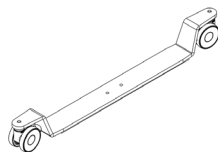
All tables are manual height adjustable from 56-90 cm.

ACCESSORIES

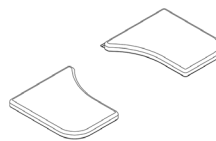
4 Brake wheels,
increase height by 8 cm
Item no.: 20-50340



Castors with brake
without height increase
Item no.: 20-60817



Arm support
incl. bag and hook
Item no.: 20-60520



Arm support lock-able
incl. hook and bag
Item no.: 20-60517



Rail for Arm support,
for table width 165/200/240 cm
Item no.: 20-60525/20-60526/20-60527



Rail for Arm support to the table end,
divided
Item no.: 20-60528



NB! Find more information about measurements, technical data, installation interfaces and much more under the product and in the instruction manuals on our website.