

”Easy access to the shelves
– regardless your height”



VERTIINSIDE

YOUR KITCHEN CABINET WILL REACH NEW HEIGHTS

Electrical height adjustable shelves enable the user to easily reach items in the cabinets.

Ideal for children, short people and wheelchair users.

The system is especially ideal for wheelchair users as you can reach the 2 lower shelves without having to open the cabinet doors first.

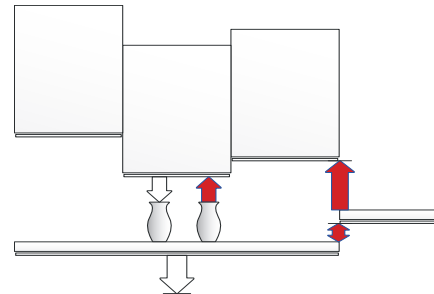
The VertiInside upper cabinet system looks just like any other common kitchen cabinet system in general and you adjust the shelves by a control panel for example integrated in the fascia.

Smartbox for connecting the safety systems of several units - In principle, the collision protection devices of one or more Verti-Inside, VertiElectric, DiagonalElectric and FlexiElectric can be connected. Each system requires its own Smartbox.

Note...Smartbox cannot be combined with FlexiPlus.



With VertiInside, you do not have to open the kitchen cabinet.



Smartbox installed to avoid trapping during upwards movement*

* Disclaimer; "only applies when table top or cabinet moves up into another smartbox-connected safety strip or safety stop plate".

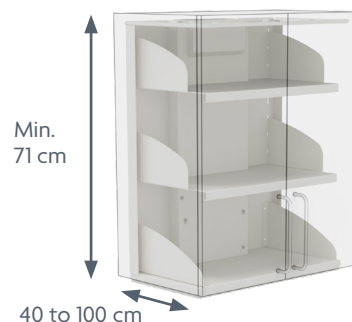
VERTIINSIDE

Max. load: 80 kg evenly distributed
 Frame height: 70.4 cm
 Frame width: 40-100 cm
 Frame depth: 26.5/31 cm
 Height adjustment: 49.5 cm

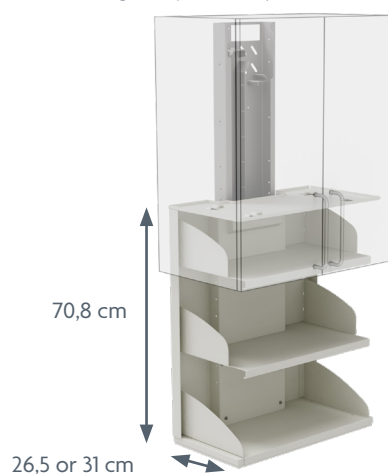
VERTIINSIDE – wall unit size:

WIDTH/DEPTH	26,5 cm	31,0 cm
40 cm	30-40404	30-40414
50 cm	30-40405	30-40415
60 cm	30-40406	30-40416
70 cm	30-40407	30-40417
80 cm	30-40408	30-40418
90 cm	30-40409	30-40419
100 cm	30-40410	30-40420

Size of wall unit



Size height adjustable system



ACCESSORIES

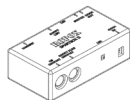
Ropox Bluetooth
Item: 30-90591



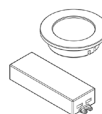
Press pad, large
Item: 30-67841



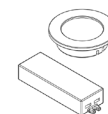
Smartbox
Coupling safety stop
Item: 30-69002



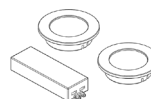
1 spot, depth 26.5 cm
Length 40 to 60 cm
Item: 30-40444 to 30-40446



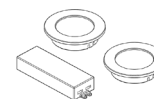
1 spot, depth 31 cm
Length 40 to 60 cm
Item: 30-40454 to 30-40456



2 spot, depth 26.5 cm
Length 70 to 100 cm
Item: 30-40447 to 30-40450



2 spot, depth 31 cm
Length 70 to 100 cm
Item: 30-40457 to 30-40460



TIPS:

- We recommend double doors for cabinets with from 60 cm to prevent the users from stepping back when opening the doors.
- Along with the product you also get 2 integrated safety stops one for the top and one for the bottom.

NB! Find more information about measurements, technical data, installation interfaces and much more under the product and in the instruction manuals on our website.

The items are produced according to the following Standard: DS / ISO 17966:2016

ROPOX A/S · Ringstedgade 221 · 4700 Naestved, Denmark – Phone: +45 5575 0500 · info@ropox.com · www.ropox.com

ROPOX™
BETTER WAYS TO BETTER DAYS

– A PART OF AddLife®