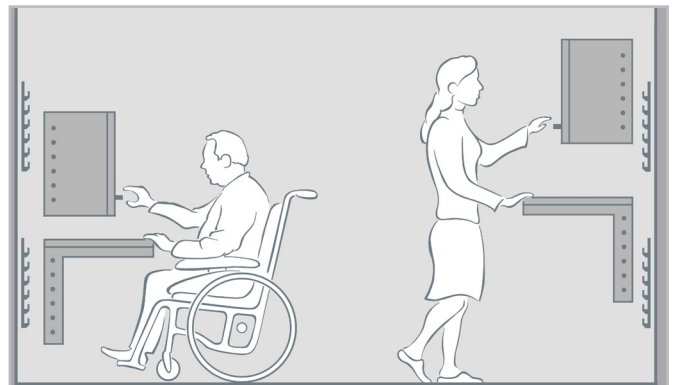




Stationary brackets

Height adjustable brackets for wall units and worktops

- The brackets make it possible to adjust the height of worktop and wall unit stepwise.
- Brackets for wall units are totally hidden and secured on the back of the wall unit. It is important that the back cover has a min. 16 mm in void between to the right and left covering.
- Mobile base units can be a useful way of replacing storage space in a flexible way.
- Height adjustment of the worktop and wall units is in increments of 4.2 cm.



Stationary brackets

Brackets for wall units - 1 set
Item 30-80000

Bracket for wall unit
2 pcs.

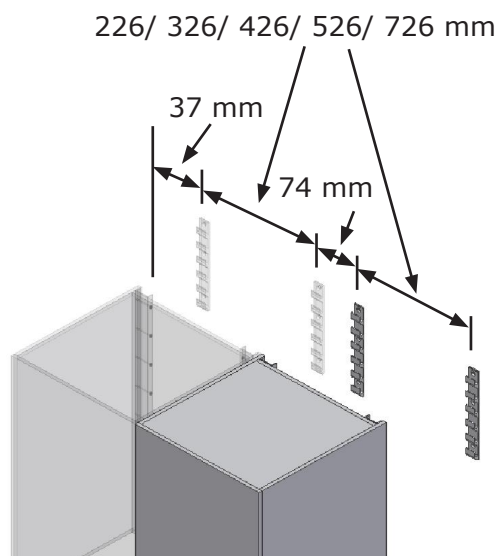
48.5 cm

Bracket for wall
2 pcs.

25.8 cm

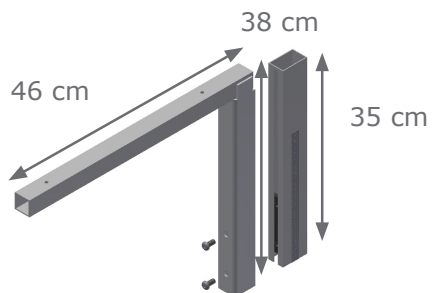
Screw
12 pcs.

Max. load per set is 90 kg evenly distributed

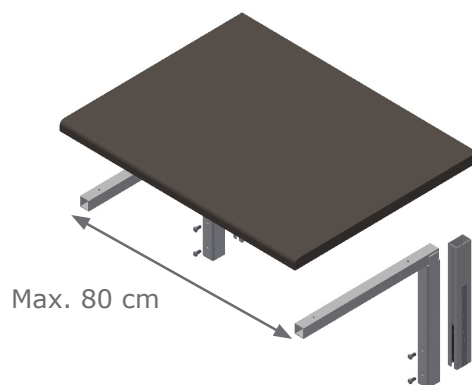


Brackets for worktop - 1 set
Item 30-80006

Bracket for worktop
1 pc.



Bracket for wall
1 pc.



Max. load on bracket is 75 kg evenly distributed