

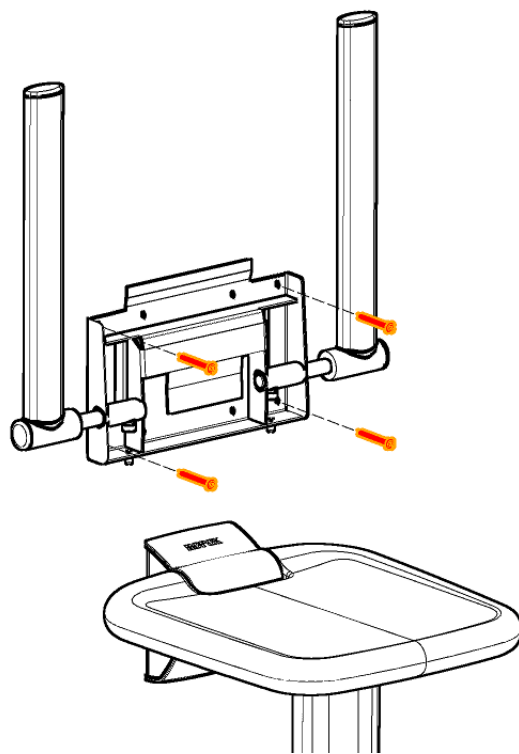
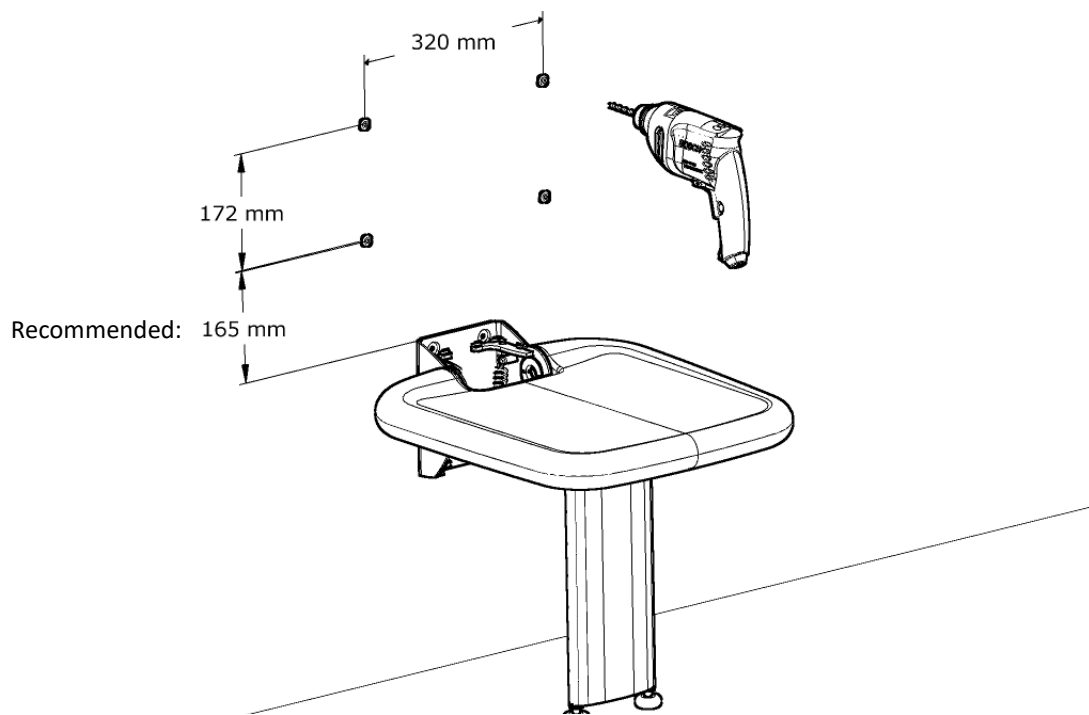
Ropox Backrest

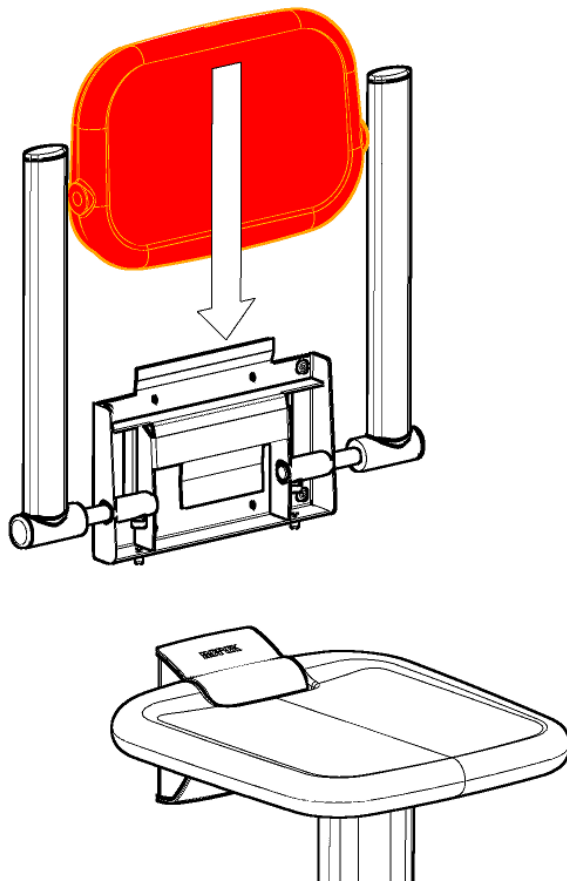
MOUNTING INSTRUCTIONS

Keep these instructions with the product at all times

These Mounting Instructions comprise:

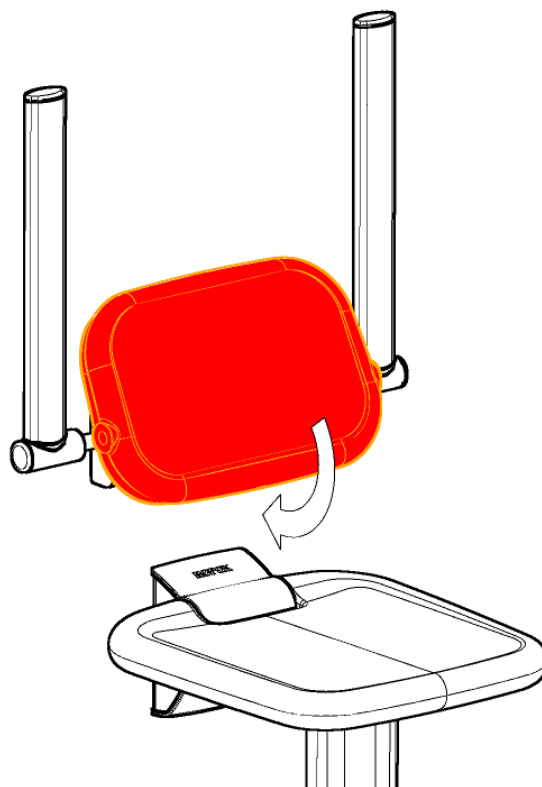
Backrest	x1	Mounting screws	x4
with/without armrests		Rawlplugs	x4



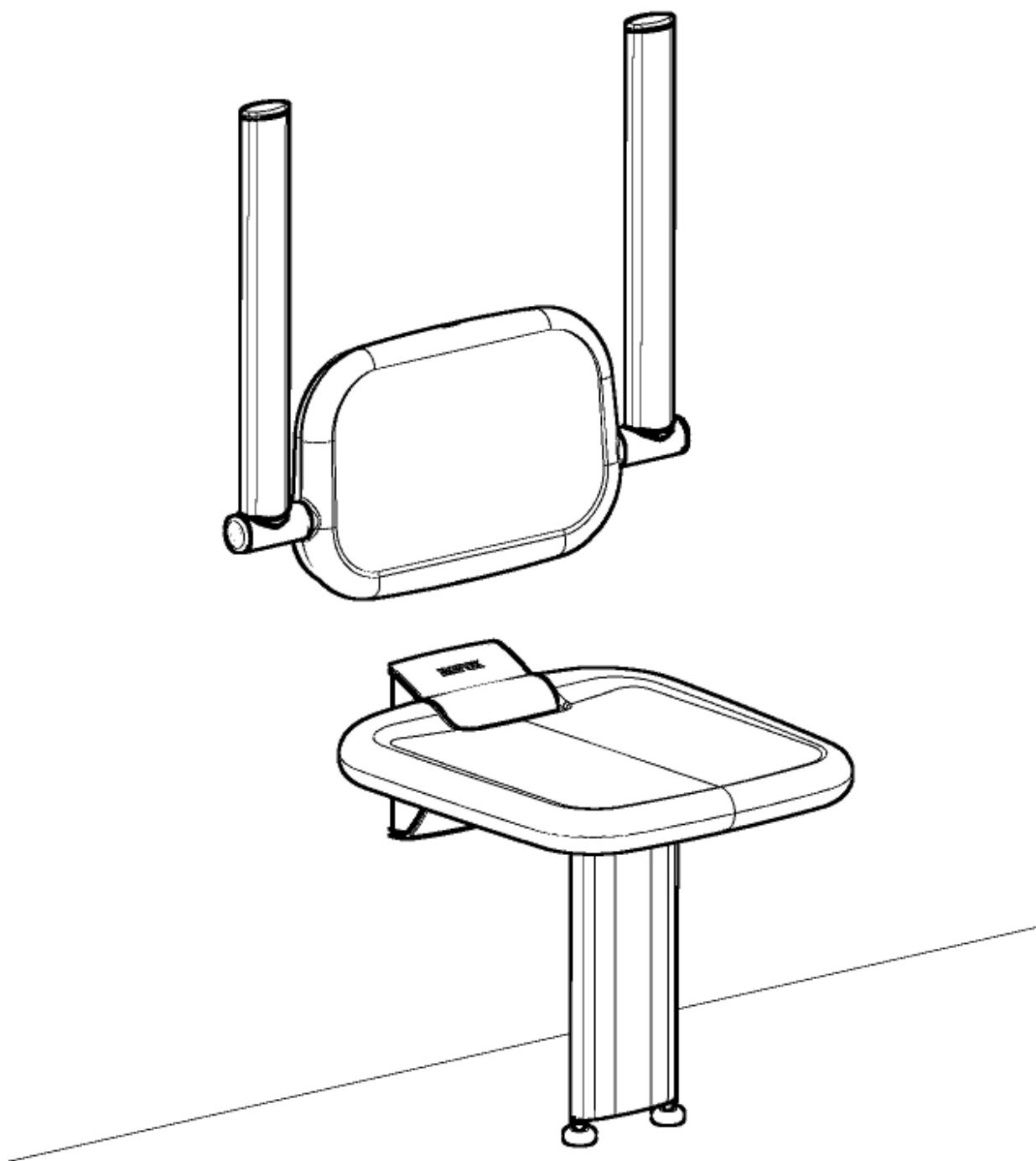


3

**Please note: Mount only the PUR backrest under tempered conditions.
At 10 C° or lower the backrest surface could crack during mounting.**



4



5