



Ropox Dock-in

User Manual

Keep this manual with the product at all times

Contents

Product information	3
Technical data	4
Dimension sketches.....	5
Mounting instruction	5
Mounting templates.....	6
Retrofitting of Dock-in.....	7
Without the mounting template	9
Instructions	134
Daily use.....	14
Permanent lock	14
Deactivation of the lock	15
Recommendations	15
Height adjustment.....	16
Maintenance	17
Cleaning	17
Fault finding	18
Waste handling	18
Normal use.....	18
Storage and transport	18
Marking	129
Label.....	19
Symbols.....	19
Spare parts	20
CE-marking	21
Complaints	22

Product information



It is important to read this manual before use.

Product: Ropox Dock-in

Manufacturer: Ropox, DK-4700 Naestved, Tel. +45 55 75 05 00

Application: This Ropox Dock-in station is used in connection with the Ropox swing washbasin. It is designed to provide an extra tabletop around the washbasin and to increase the stability and safety when the washbasin is locked. The Dock-in station is ideal for use in private homes, care centres or similar institutions.

Components

40-40069 Ropox Dock-in



Technical data

Height adjustment	150mm
Materials	Tabletop: Molded marble and polymer with sanitary gelcoat surface Frame: Surface-treated steel Locking mechanism: Stainless steel
Surface treatment	Steel: Blue chromate, powder-coated, white RAL 9003 mat
Maximum load	According to DS/ISO 17966 maximum user weight is 245kg. The Ropox Dock-in is designed to support and stabilise the washbasin so that a person of 245kg may lean on the washbasin when it is locked The weight of 245kg is based on a person positioned at an angle of up to 45°



This product has CE-marking and has been tested according to the European standard for assistive devices for disabled persons DS/ISO 17966 and the Machinery Directive 2006/42/EC.

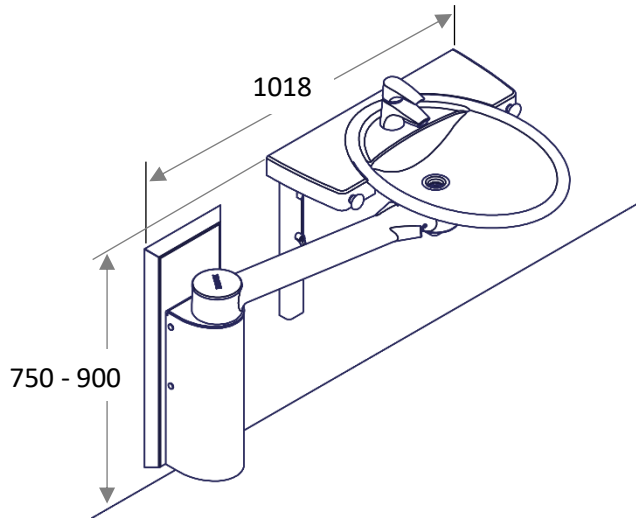
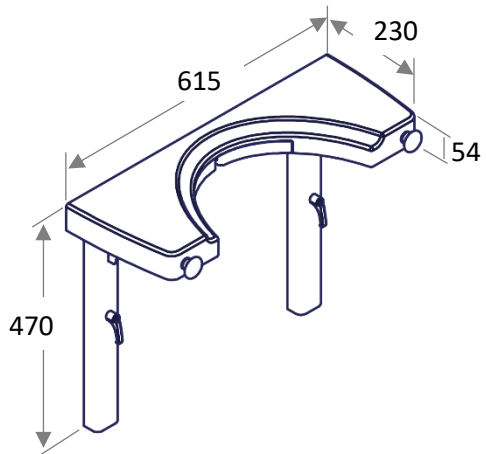
This product is UKCA-marked in accordance with:



UK SI 2002 No. 618 - *The Medical Devices Regulations 2002*, and its amendments

UK SI 2008 No. 1597 - *The Supply of Machinery (Safety) Regulations 2008*, and its amendments

Dimension sketches



Mounting instruction

Mounting templates

No. 1

For Swing Wash Basin
40-41110 og 40-41120



No. 2

For Swing Wash Basin
40-41130



No. 3

For Swing Wash Basin
40-41140

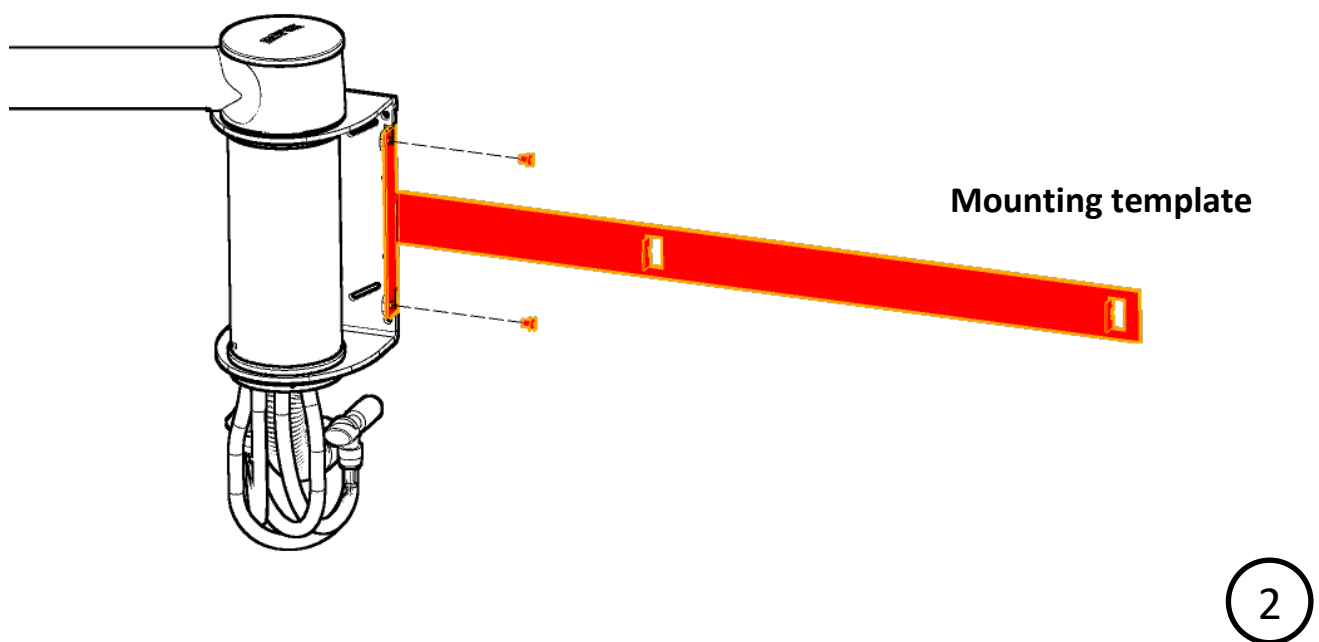
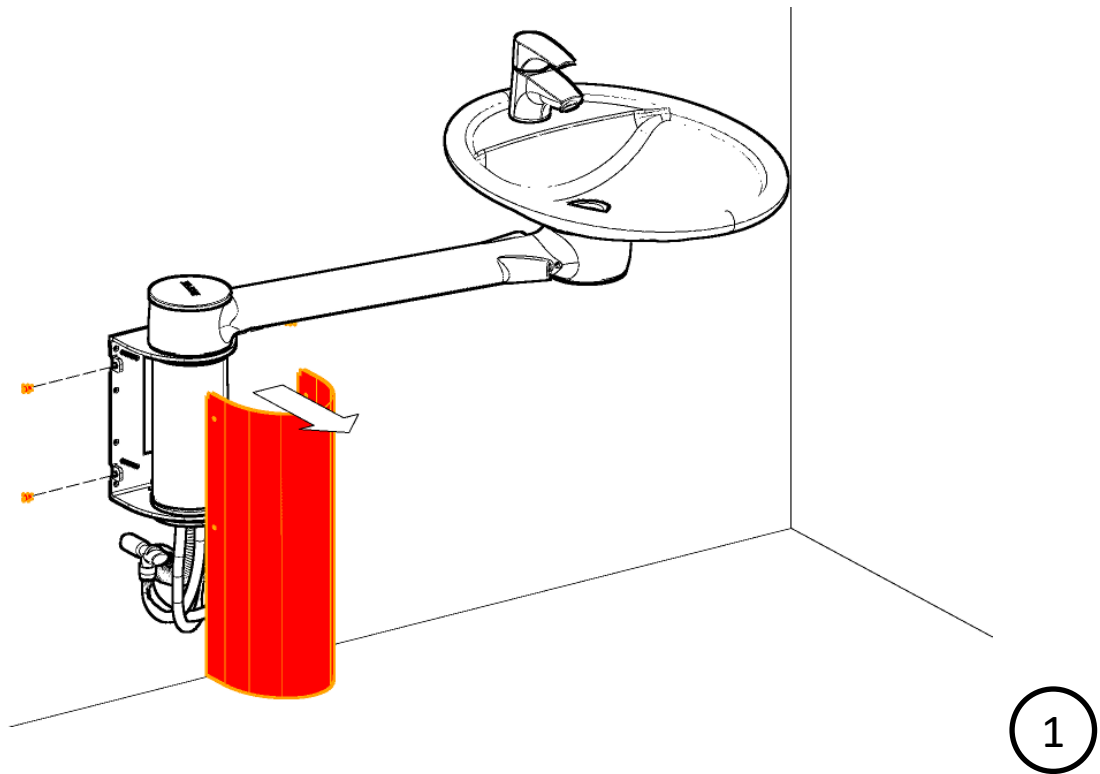


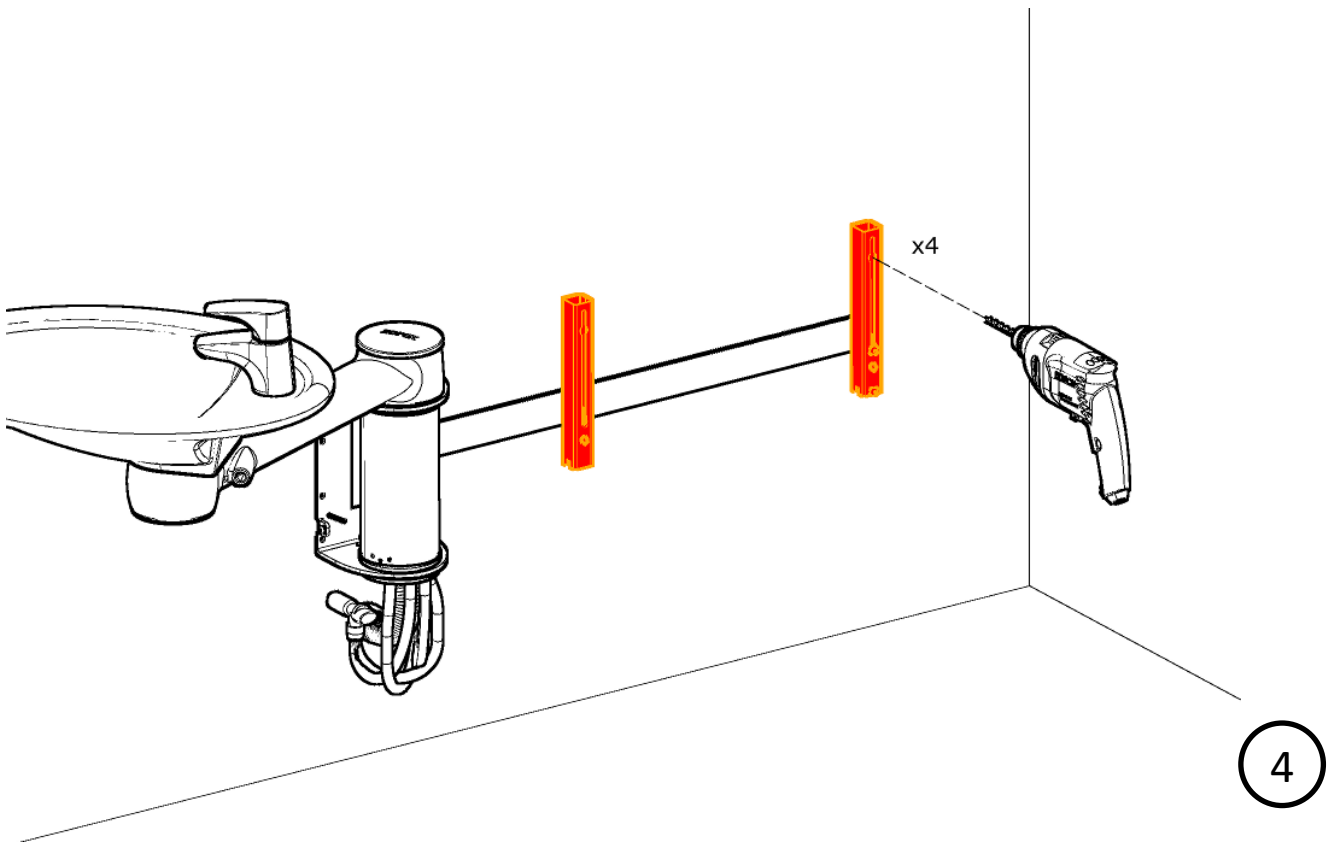
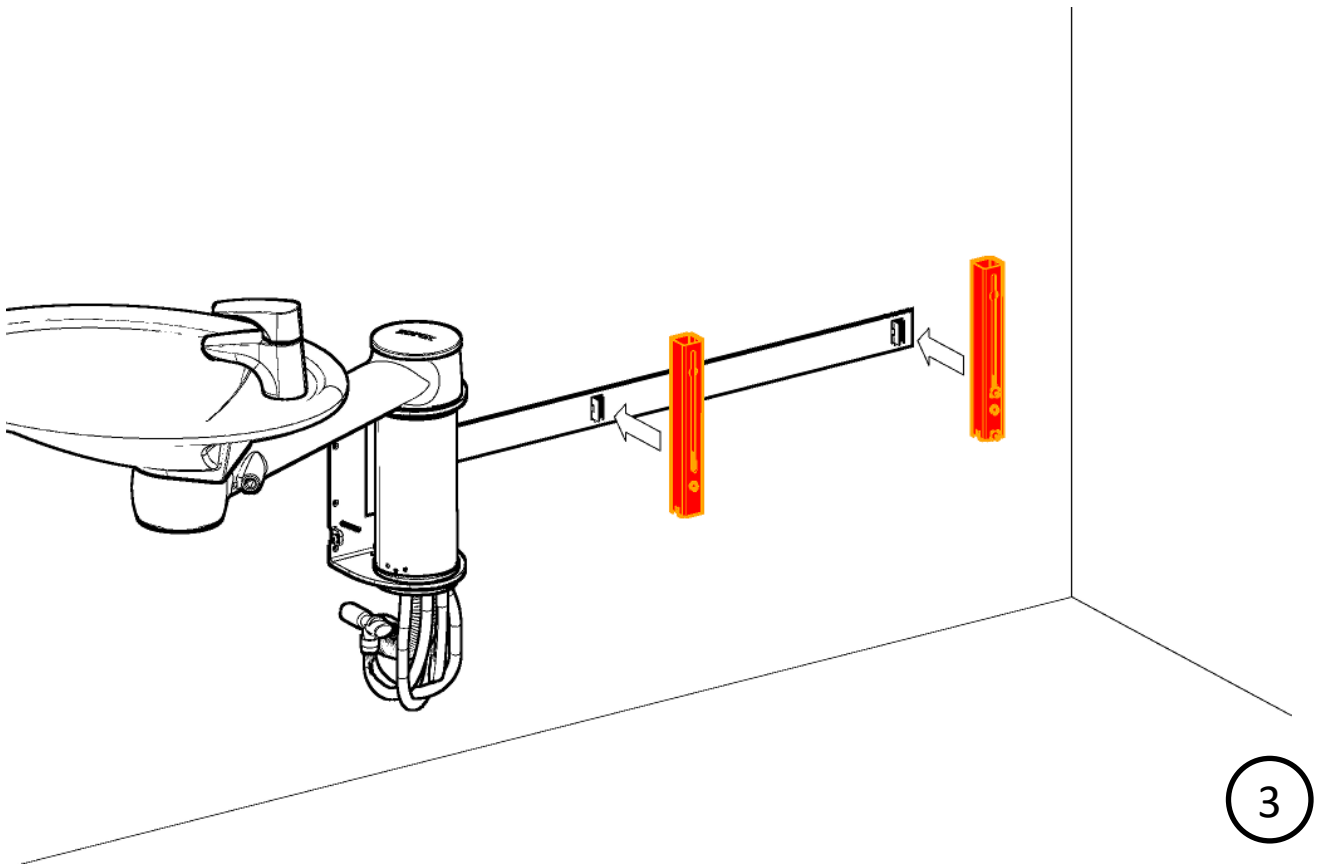
No. 4

For retrofitting of Dock-in



Retrofitting of Dock-in



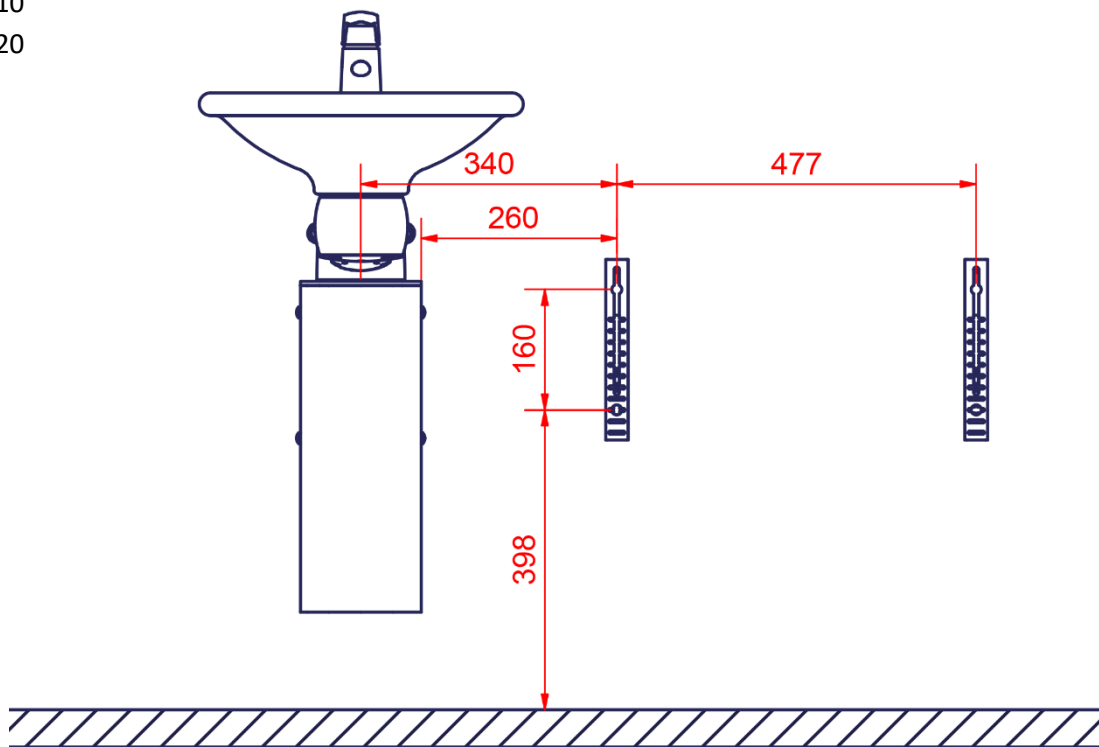


Without the mounting template

For Ropox Swing Wash Basin (fixed height)

40-41110

40-41120



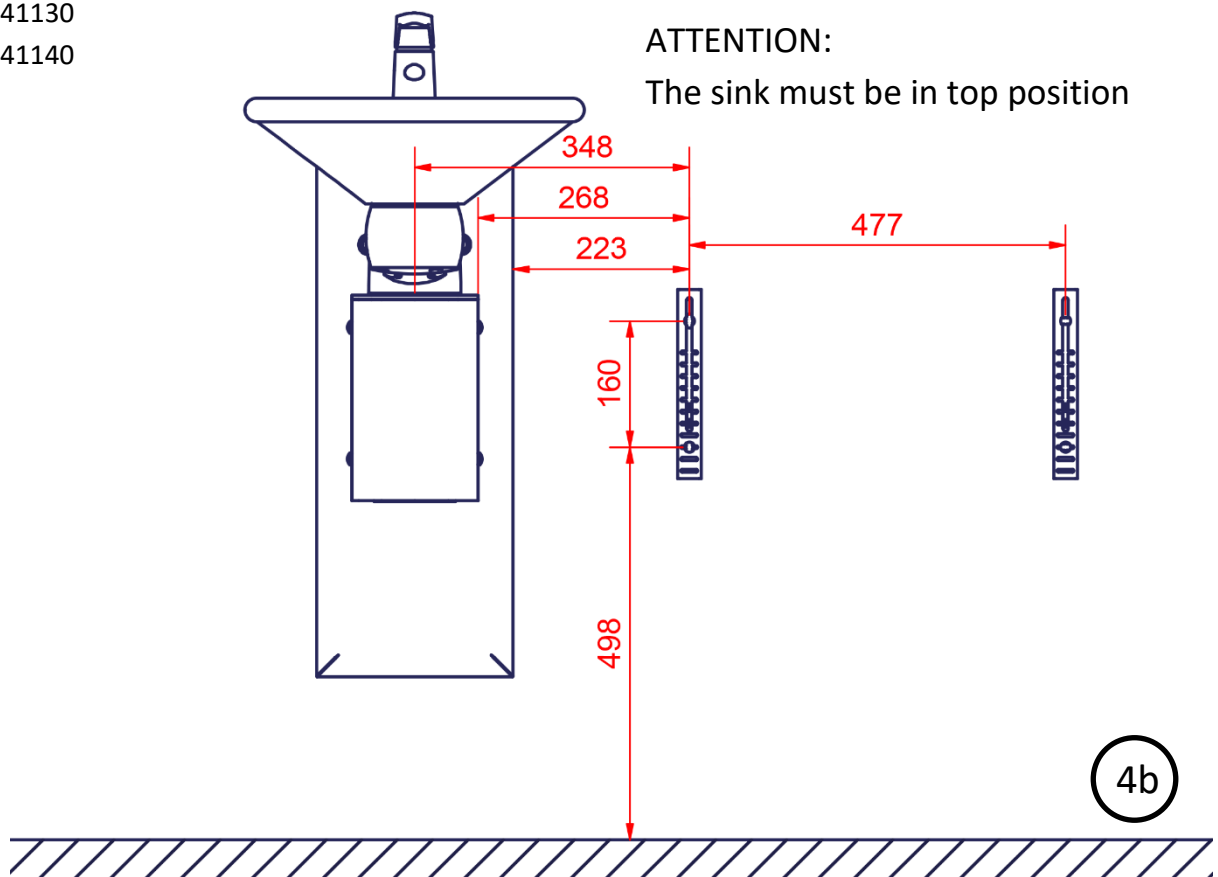
For Ropox Swing Wash Basin (height adjustable)

40-41130

40-41140

ATTENTION:

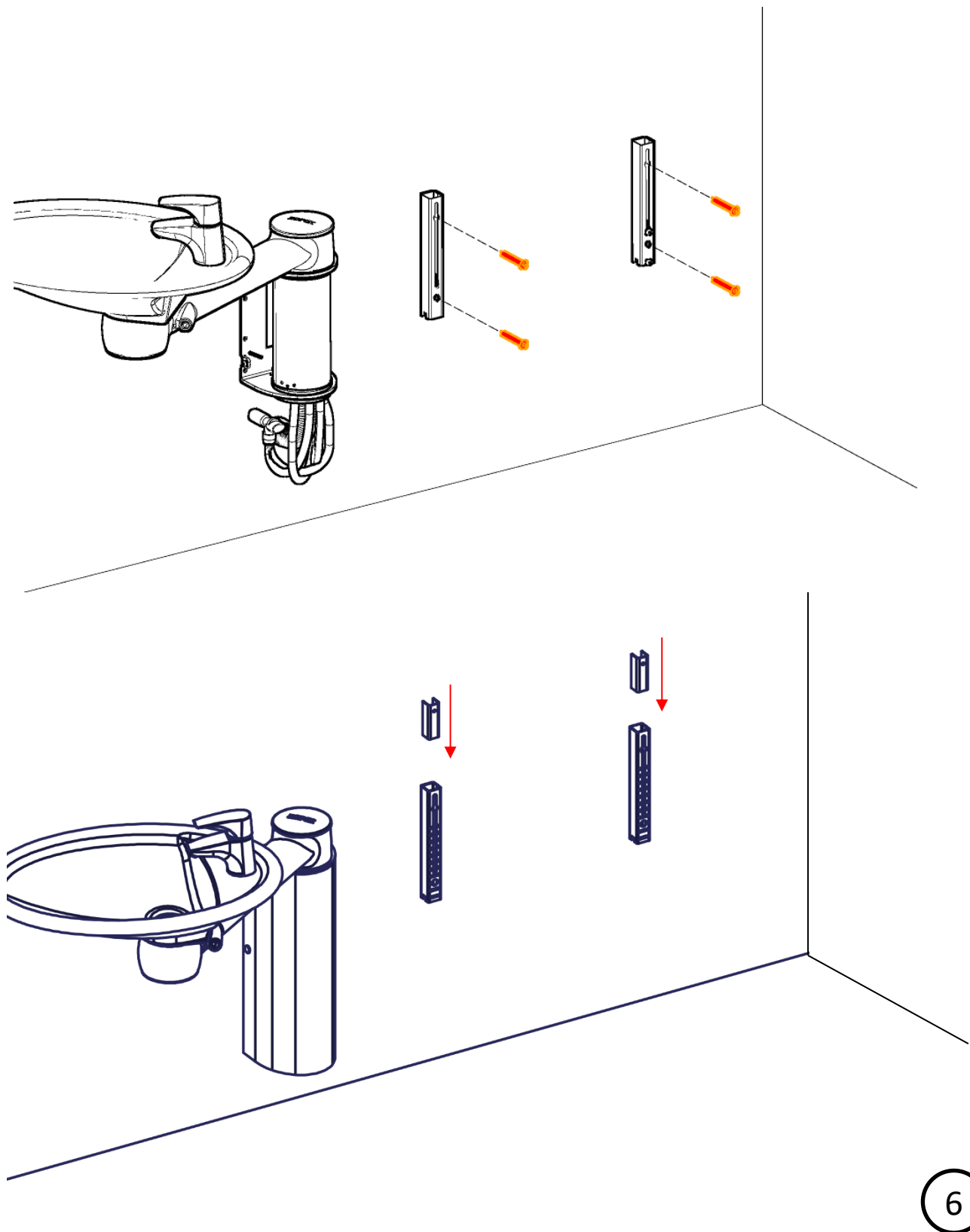
The sink must be in top position



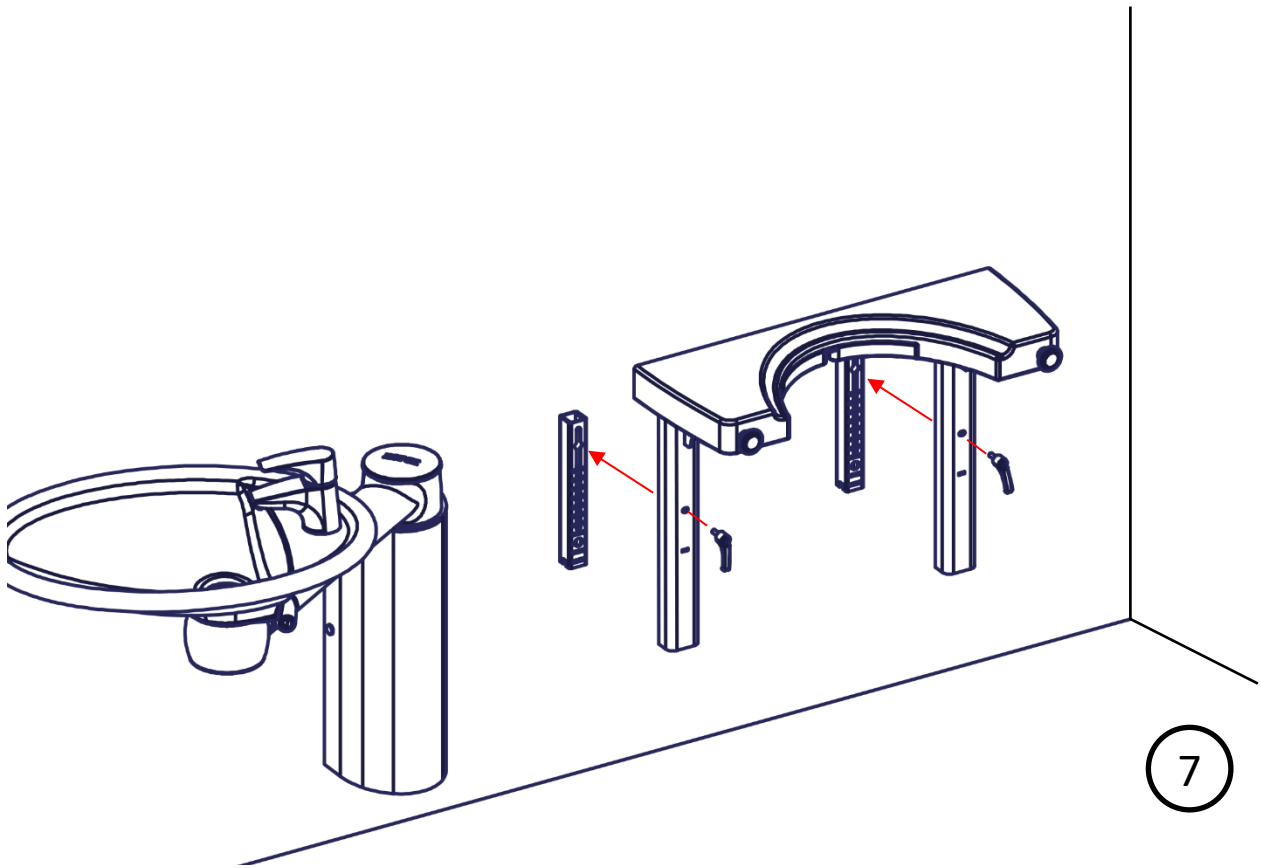
4b

The screws and rawlplugs included are for mounting on a concrete wall. The installer must always examine the material, condition and strength of the wall and use appropriate screws and rawlplugs.

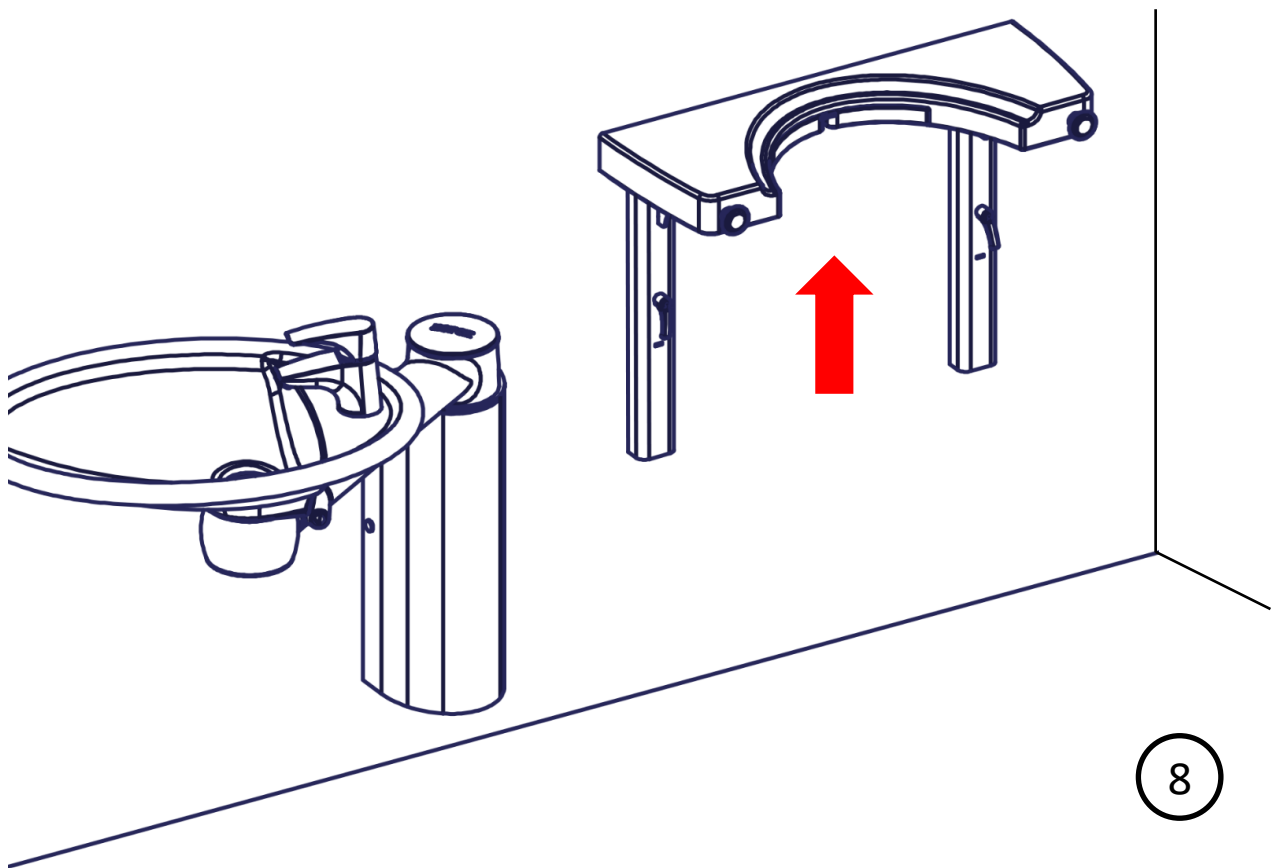
Maximum load in the top screws are 98kg / 216lbs.



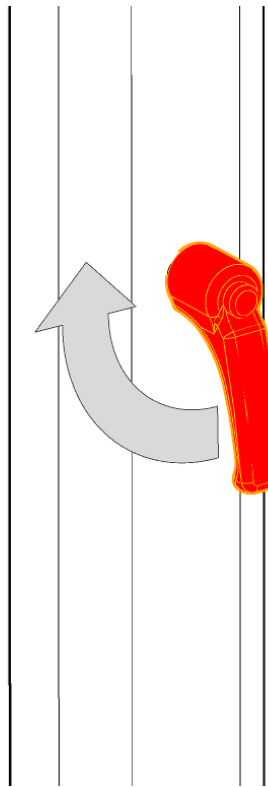
6



7

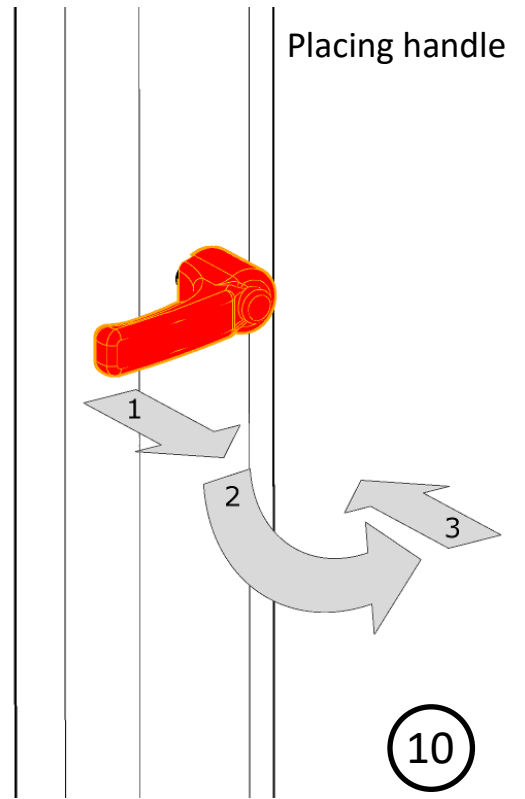


8



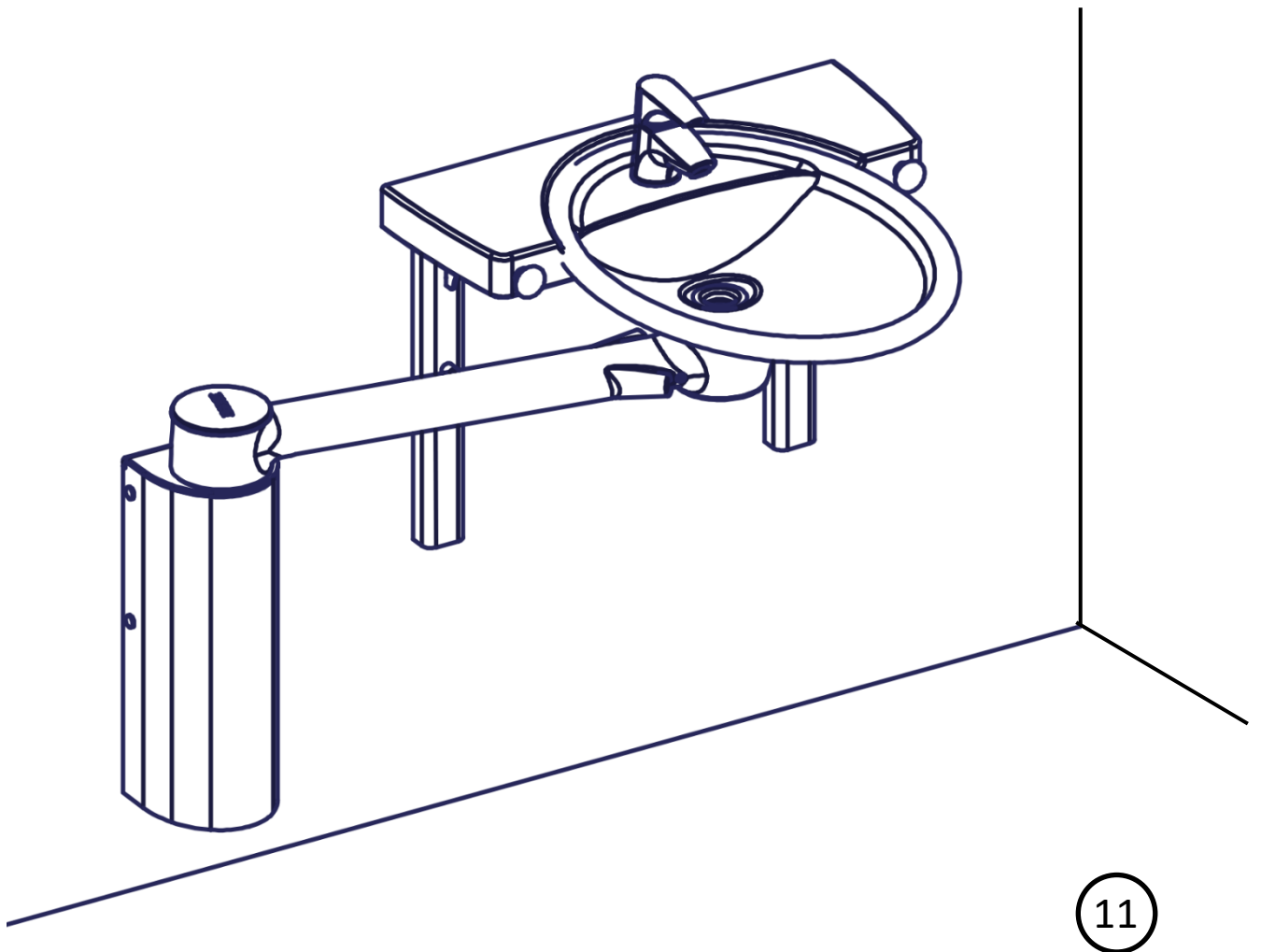
Tighten

9

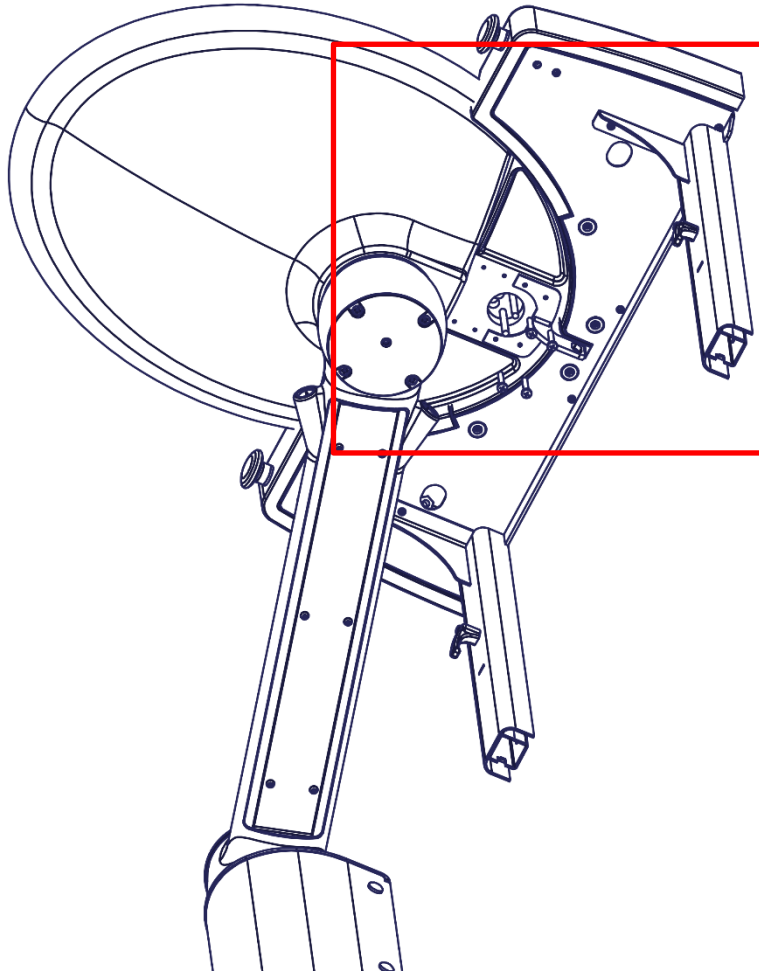


Placing handle

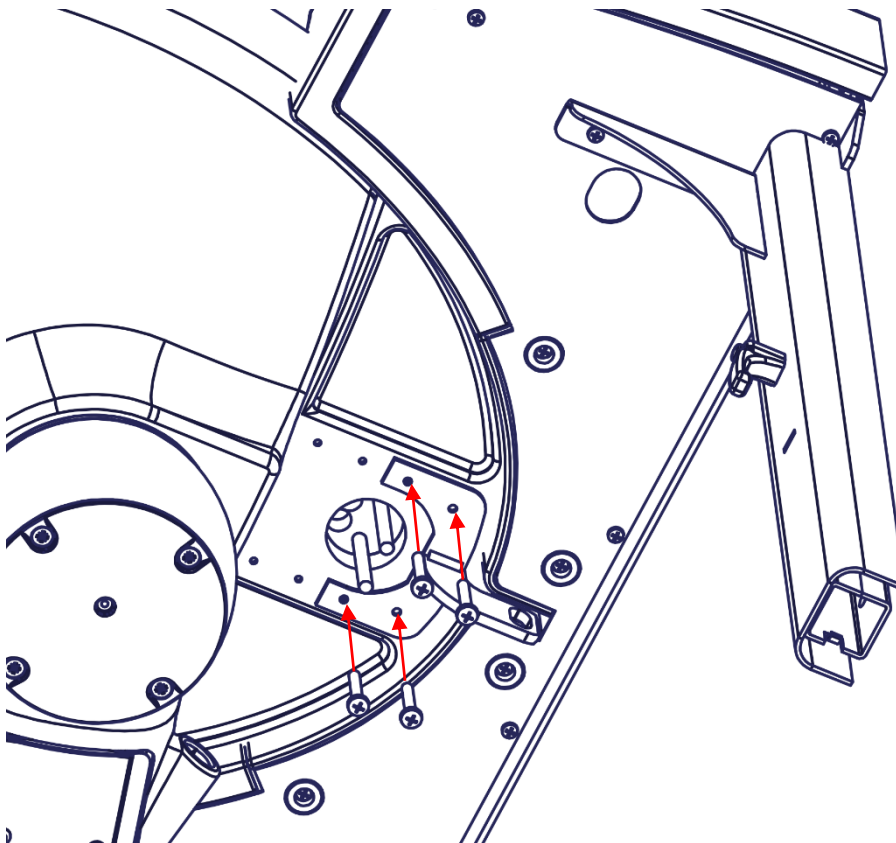
10



11



12



13

Instructions

Daily use

The Dock-in station is designed to ensure easy locking of the washbasin during daily use.

The washbasin is guided into the notch and will be locked automatically in the right position. To release the washbasin pull one of the two handles. This will release the washbasin from the locking mechanism after which it may swing freely.



Permanent lock

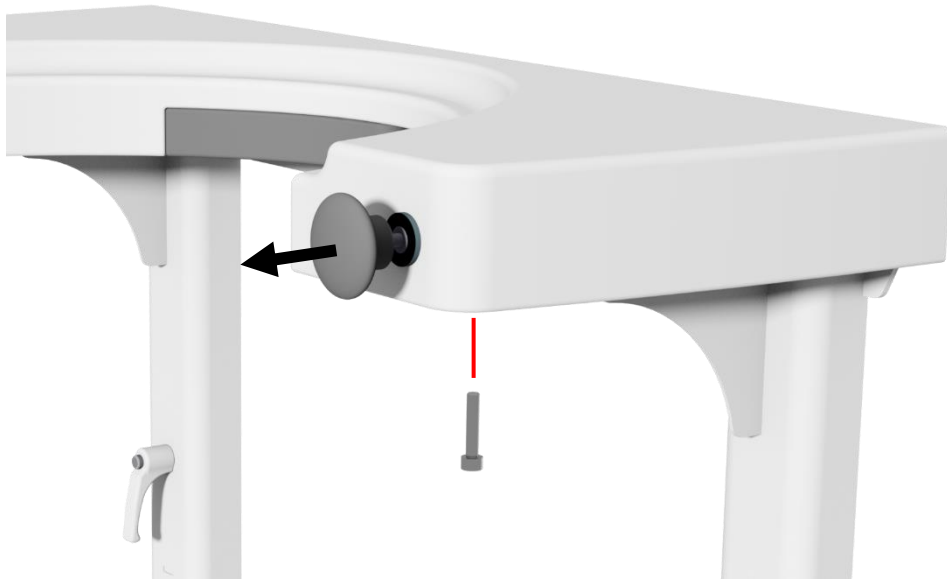
The wash basin can be permanently locked and thereby function as a standard wash basin. This is done by inserting the two supplied M5 screws as shown below. Please note that the wash basin needs to be locked in the Dock-in when the screws are tightened and both screws must be used.



Instructions

Deactivation of the lock

It is also possible to use the screws to deactivate the locking system if desired. This is done by inserting and tighten one of the screws while pulling out the handle. This only has to be done in one of the side to work.



Recommendations

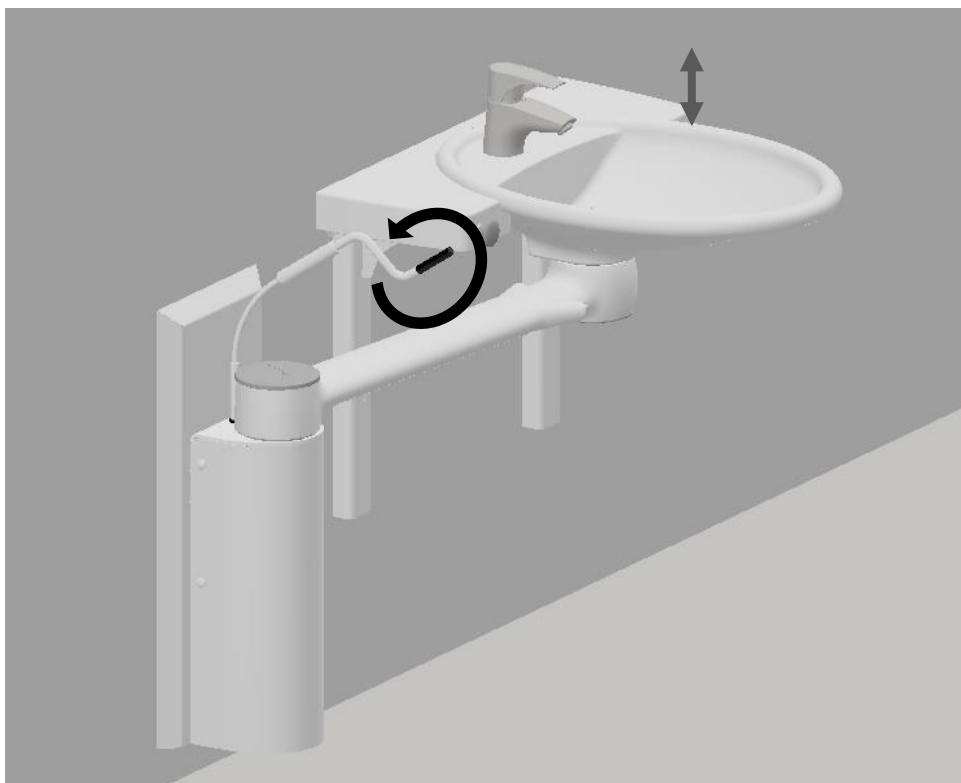
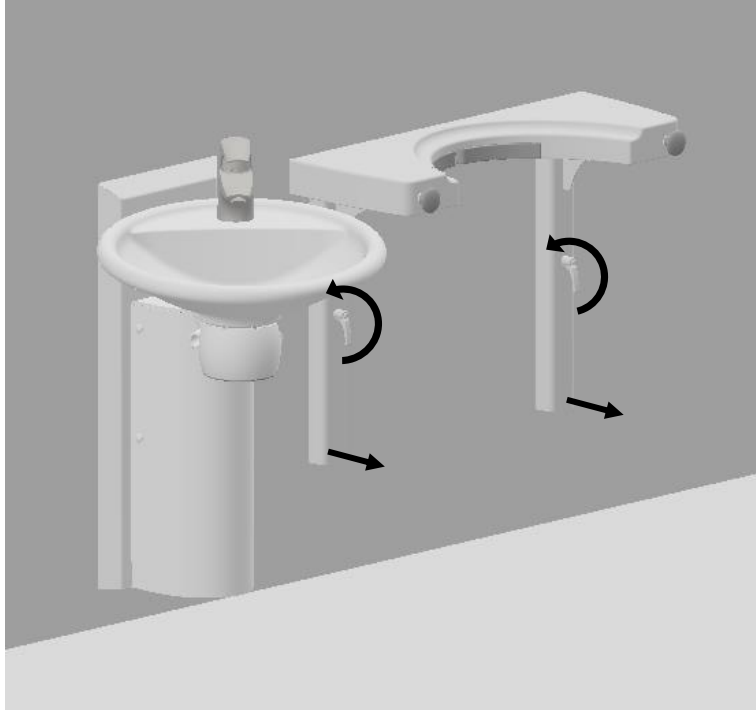
To ensure optimum utilization of the features of the Ropox Dock-in station and to avoid accidents it is important to follow these basic safety procedures.

- Be careful not to load the washbasin during coupling with the Dock-in station. This may result in inaccuracies and mean that the washbasin cannot be locked or hits the upper or lower edge of the Dock-in station.
- To obtain a long life of the locking mechanism as well as proper locking of the washbasin it is recommended to guide the washbasin slowly during coupling with the Dock-in station.
- Please note that the Dock-in station is designed to provide stability so that you may lean on but **not** hang on it.

Instructions

Height adjustment

The Dock-in station can be easily height adjusted together with the Swing Wash Basin as shown. Make sure that the Dock-in station is level after the height adjustment, and insure that the Wash Basin is easy to insert and release from the Dock-in station.



Maintenance

Ropox Dock-in is maintenance-free. However, for safety reasons it is recommendable to check all mounting screws and moving parts at regular intervals to ensure that the screws are fixed securely in the wall and in the washbasin.

Cleaning

Do not use a high-pressure washer to clean this product. Simply use a soft cloth or sponge with soapy water (pH7) of max. 60°C or cleaning alcohol. If a detergent is used the surface of the tabletop may get greasy after some time. This may be removed with equal parts water and chlorine. Clean the Dock-in station at regular intervals to prevent dirt from sticking to the surfaces.

Important:

Do not use scouring powder or other abrasives as they may scratch the surfaces. Also avoid the use of cleaning utensils with sharp edges. Never use strong acids or alkaline products.

Fault finding

Error	Possible remedy
Washbasin cannot be locked	Check that washbasin and Dock-in have been installed as prescribed. Check that they are both level and that the mounting screws are fastened securely in the wall.
Washbasin is locked, but cannot be released	Check if the locking screws are tightened. See page 5. If so please loosen or remove these.
Washbasin hits Dock-in station and cannot reach locking mechanism	Check that washbasin and Dock-in have been installed as prescribed. Check that they are both level and that the mounting screws are fastened securely in the wall.

Waste handling



Used equipment must be disposed of according to national law. We recommend dismantling of the product to the greatest possible extent so that most parts may be reused. Example of sorting groups: Metal and compact laminate.

Normal use



Temperature: 0 °C to 50 °C

Relative humidity: 5% to 85% non-condensing

Storage and transport



Fragile



Keep away from water

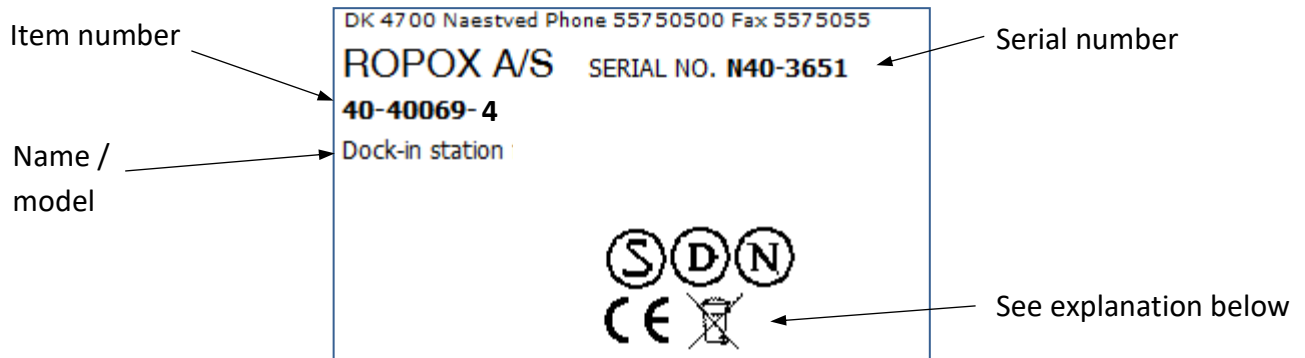


This side up

Marking

Label

The Ropox Dock-in station has a label of its own as illustrated. This label contains important information to be stated in connection with all approaches to the supplier.



Symbols



Read the user manual before use.



Waste must be sorted – if possible for reuse.



CE-marking. This product meets the requirements for "General Safety and Functionality" of the relevant EU-directives and standards.

Spare parts

Current spare parts

40-40071-082

**Fixture for
washbasin**



96000177

Revolving Handle



CE-marking

EU – Declaration of Conformity



Ropox hereby declares that the following product

40-40069-4

Ropox Dock-in

is classified as Class I and conforms to the following directive and standard:

Directives

Directive No. 93/42/EEC concerning Medical Devices (risk class 1)

Machinery Directive No. 2006/42/EC, amended by Directive No. 98/37/EC.

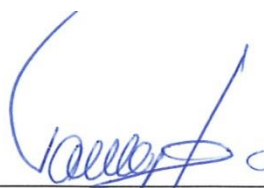
Standards

DS/ISO 17966: 2016: Assistive products for personal hygiene that support users – Requirements and test methods

DS/EN 14971: 2012: Medical devices - Application of risk management to medical devices

DS/EN 9999: 2011: Assistive devices for persons with functional disabilities - Classification and terminology

Date: 24-07-2019



Tommy Jensen
Adm. direktør

Complaints

All inquiries concerning complaints must be directed to the distributor representing Ropox on the market in question.

Cf. Ropox General Terms of Sale and Delivery.



Ropox A/S

Ringstedgade 221

DK – 4700 Naestved

Tel.: +45 55 75 05 00 Fax.: +45 55 78 05 50

E-mail: info@ropox.dk

www.ropox.dk