

4Single Battery

User manual

Installation instructions

This manual must always accompany the product

Table of Contents

Table of Contents	1
1 Introduction	3
2 Technical data	4
3 List of components	6
4 Mounting instructions	7
5 Instructions	8
5.1 Function test.....	8
6 Safety	9
7 Maintenance	11
7.1 Service forms, operation and maintenance.....	12
7.2 Fault finding.....	13
7.3 Waste disposal.....	13
7.4 PACKAGING AND TRANSPORT	13
7.4.1 Packaging	13
7.4.2 Transport.....	14
8 Complaints	15

1 Introduction



Product: 4Single Battery Pack

Manufacturer: Ropox, DK-4700 Næstved, Tel. +45 55 75 05 00

Area of application: The 4Single Battery Pack is an extra pack for the 4Single electric multifunction table. This replacement kit allows the table to be made even more flexible and easy to transport.

The battery pack is available in two versions, so that the table's height adjustment function is just right for the desired purpose. One provides the facility for rapid movement, while the other allows for a far heavier loading of the table during lifting.

The unit must be used indoors in temperature and humidity conditions in the home as described in section 2. The 4Single table and the battery pack are not designed for use in damp rooms.



The control box has an IP20 tightness class and must always be located in accordance with heavy current regulations or equivalent national or international standards.

Users of this product are obliged to observe these instructions. It is extremely important that the instructions have been read and understood before the product is used, as correct use, operation and inspection are crucial for effective, safe functionality.



This product is electrically height-adjustable and therefore poses a risk of crushing. Any operation must be carried out by or under the supervision of an adult who has read and understood the importance of section "Safe operation"

2 Technical data

Product number	4Single Battery Pack (rapid) 4Single Battery Pack (heavy load)	50-47025 50-47026
Materials	Steel and misc. plastic parts	
Surface treatment	Powder coating: st. CWS 81283 RAL 7021 mat	
Power supply	220-240V AC / 2A / 50-60Hz	
Battery	Output voltage: 25.2V DC; Output current limit: 8A Input voltage: 5V DC; Input current limit: 2.4A	
Intermittence	Max. 10% = 2 min. active/18 min. pause	
Operational capacity	Number of lifts when fully loaded: 30-40 times.	
Max. load	150 kg evenly distributed over whole frame	
Heavy load	250 kg evenly distributed over whole frame (optional extra)	
Temperature	5-45°C	
Humidity	5-85% (non-condensing)	

Charging the battery

By pressing the battery status button, the charging status is displayed. 1-4 LEDs will light up where 4 bars are fully charged. When battery charging is required, the battery (when activating operation or pressing battery status) will beep twice for 5 seconds and charging should be performed.

If no battery status is specified, the battery must be fully charged (10 hours)

Battery status:

Battery status button is pressed. LED bar lights up for 3 seconds:

- 100 - 76%: 4 LEDs on
- 75 - 51%: 3 LEDs on
- 50 - 26%: 2 LEDs on
- 25 - 11%: 1 LED on
- 10 - 0%: 1 LED flashes



There will still be capacity left in the battery when the acoustic indicator appears, but the battery life is optimized when charging is done in continuation of this.

The USB charger shall have following characteristics:






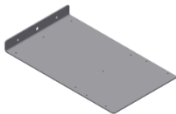


- Output: 5V DC / 2.4A

We recommend a Qoltec charger with 2.4 Amp/12 Watts (Included)



The battery must be charged approx. once every 14 days depending on the individual operating conditions (load on the table, frequency of use) It can be charged directly in its operating position during use or detached from the docking station. The current battery status is displayed during charging. When all 4 LEDs are on, the battery is fully charged.

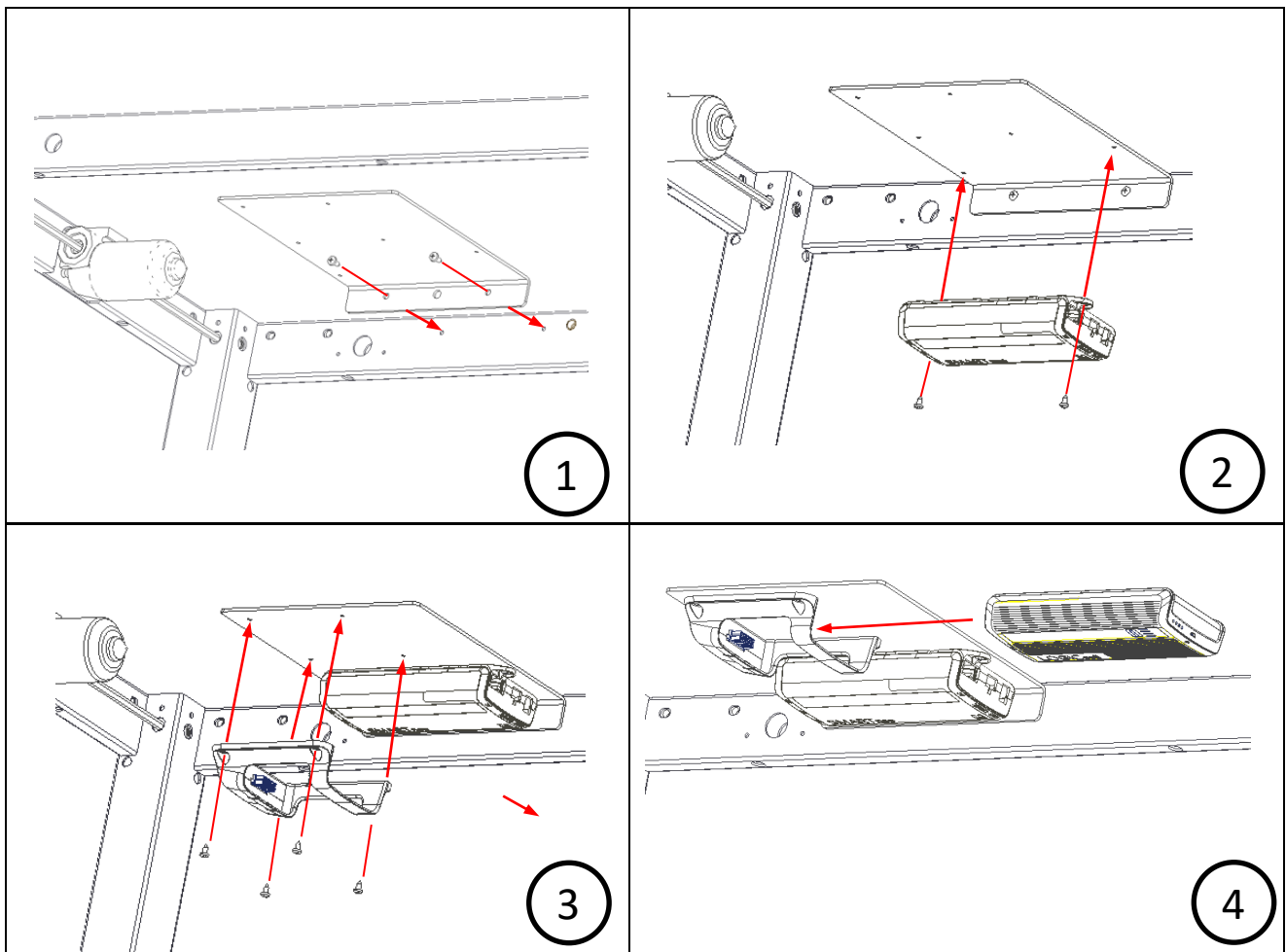
3 List of components

96000545	Control box	1 pc.	 
96000591	Battery	1 pc.	 
96000820	Charger	1 pc.	 
97701-850	Mount for control box and battery	1 set	
95091012	Screw $\varnothing 4.8 \times 13$	6 pcs	
30-67840	Control, small surface (6 x 3 cm)	1 pc.	
96000557	Adapter cable	2 pc.	

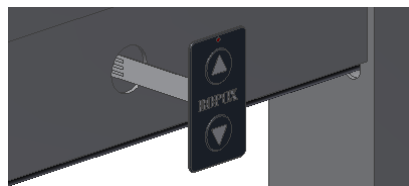
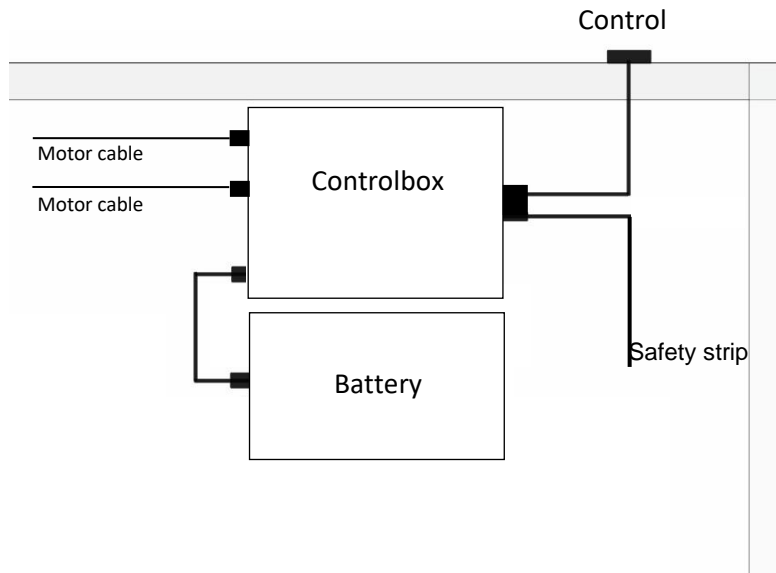
4 Mounting instructions



Installation must always be carried out by competent personnel.



Attach the cables supplied and the existing cables (to motors, anti-crushing strips and control) as shown in the diagram below.



Proceed as follows to insert the LOGICcell into the Docking Bay:

Press the Battery Status Button to switch on the LOGICcell - The buzzer will sound once for 0.5 sec. - The LOGICcell is connected to the Control Unit

5 Instructions

5.1 Function test

Once the control has been replaced and before the unit is used, you must always perform a full test of all of the table's functions. The same function test must then always be performed at least once a year by competent personnel:

5.1.1 Before testing the battery:

1. Check that the installation instructions have been followed.
2. Check that all bolt connections are securely tightened.
3. Check that all cables have been connected correctly and that the plugs have been pushed in completely.
4. There must be no load on the table.
5. There must not be any objects or the like that might prevent the table from moving within the height setting range.

5.1.2 Now switch on the battery:

6. Press the DOWN button and lower the table to the lowest position. Press the DOWN button once more and hold it down for an additional 5 seconds to reset the control box. Check that the movement takes place in an even, controlled way.
7. Now press the UP button and raise the table to the highest position, and make sure that this takes place in an even, controlled way.
8. If anti-crushing strips are attached beneath the table top, these must be tested.

Press the DOWN button and allow the table to move 2-5 cm while enabling the anti-crushing strip at the same time. The table will now stop its downward movement, move 1-2 cm upwards and stop.

Once all the above items have been checked, you can use the table.

See section 9, "Safe operation".

6 Safety

For optimal use of the battery pack's functions and to avoid accidents, it is important to act in accordance with these basic recommendations.

- The 4Single Battery Pack may only be used by people who have read and understood these instructions.

- The table must not be operated if any fault or damage has occurred.
- Do not overload the table and make sure that the load distribution is correct.
- Tables with a battery pack may not be used in an explosive environment.
- The frame must be free of any load in connection with inspections, service or repairs.
- When installing electricity and water, the national authorities' guidelines must be observed.
- Any modification that might affect the function or structure of the table and the battery pack is not permitted.
- Installation, service and repairs may only be performed by personnel with the appropriate competence.
- If the battery pack is not installed in accordance with the installation instructions, any right to make a claim under warranty may be revoked.
- Only Ropox's original spare parts may be used when replacing parts. If other spare parts are used, any right to make a claim under warranty may be revoked.
- The aforementioned operating time/intermittence may not be exceeded.

7 Maintenance



CAUTION

Under no circumstances must the battery be connected to mains power (i.e. for recharging) while the table is being cleaned and electrical components must not be washed with water.

For safety and operational reasons, we recommend an annual inspection of the frame:

- Check that all bolt connections are securely tightened.
- Check that the table can move freely and without restriction from the lowest position to the highest position without any problems.
- **Resetting the frame:** Press the DOWN button and lower the frame to the lowest position. Press the DOWN button once more and hold it down for an additional 5 seconds to reset the control box. Check that the movement takes place in an even, controlled way.
- Check that all leads are correctly fitted and are undamaged.

Fill in the service form after each inspection. See section 7.1.

Only Ropox's original spare parts may be used when replacing parts. If other spare parts are used, any right to make a claim under warranty may be lost.

7.1 Service forms, operation and maintenance

Service and maintenance Serial no.
Date: _____
Signature: _____
Comments: _____

Service and maintenance Serial no.
Date: _____
Signature: _____
Comments: _____

Service and maintenance Serial no.
Date: _____
Signature: _____
Comments: _____

Service and maintenance Serial no.
Date: _____
Signature: _____
Comments: _____

Service and maintenance Serial no.
Date: _____
Signature: _____
Comments: _____

Service and maintenance Serial no.
Date: _____
Signature: _____
Comments: _____

7.2 Fault finding

Faults	Possible solutions
The height of the frame cannot be adjusted (feels difficult to adjust)	<ul style="list-style-type: none">• Check that the battery is charged. If the battery level is so low that it is recommended that you recharge it, a warning sound will beep for 3 seconds.• Check leads and plug connections between the control box and motors.• Check leads and plug connections between the control box and control button.• If anti-crushing strips are connected, check that they are not enabled.
The frame does not move smoothly	<ul style="list-style-type: none">• If the frame does not move smoothly, you must reset it. See section, "Maintenance".

7.3 Waste disposal

Used equipment must be disposed of in accordance with national legislation. We recommend that the product be dismantled as far as possible so that as much as possible can be reused. Examples of groups into which this product can be sorted: metals, plastic, electrical components, batteries and parts for destruction.

7.4 PACKAGING AND TRANSPORT

The battery must be packaged and transported according to the current regulations for lithium ion batteries. These are also applicable when the product is re-packaged in case of a return delivery.

7.4.1 Packaging

The packaging must be labelled with a UN3480 lithium ion battery label as shown on the left. If packed with other components, the LOGICcell must remain in its primary packaging. In this scenario, the battery label must be placed on the external packaging.



7.4.2 Transport

Regulations for transporting lithium-ion batteries are set for road transport (ADR), air transport (IATA) and sea transport (IMDG). The Battery Pack must be handled with care to minimize the risk of malfunction, damage and injuries. IATA rules as of April 2016 states that lithium batteries may only be charged to a max. 30% if they are to be transported by air (passenger and freight aircraft).

8 Complaints

All inquiries concerning complaints must be directed to the distributor representing Ropox on the market in question.

Cf. Ropox General Terms of Sale and Delivery.



Ropox A/S

Ringstedgade 221

DK – 4700 Naestved

Tel.: +45 55 75 05 00 Fax.: +45 55 78 05 50

E-mail: info@ropox.dk

www.ropox.dk