



Ropox Bathtub




User manual

This manual should always be in close proximity of the product.



Table of content

1. Symbols used in this manual	3
2. General safety	4
2.1 Product label.....	6
3. General information	7
3.1 Product information.....	7
3.2 Intended use.....	8
3.3 Intended operator.....	8
3.4 Dimension sketches.....	8
4. Instructions for use	9
4.1 Pre-installations information.....	9
4.1.1 EI installations.....	9
4.1.2 Water.....	10
4.2 Installation of product.....	11
4.3 Operating the product.....	12
4.3.1 Actuation of the product.....	12
4.4 General recommendations for use.....	12
4.5 Wiring diagram.....	13
5. Cleaning	14
5.1 Plastic tub.....	14
5.2 Mixer tap, shower hose and hand shower.....	14
6. Maintenance	15
6.1 Periodic maintenance.....	15
6.2 Fault finding.....	15
7. Environmental protection	16
8. Spare parts	17
9. Accessories	18
9.1 Safety stop.....	18
9.1.1 Mounting of safety stop.....	19
9.2 Shower bed, folding up.....	20
9.2.1 Dimension sketches.....	20
9.2.2 Mounting of shower bed.....	21
9.3 Folding bed guard.....	22
9.3.1 Mounting of bed guard.....	22
9.4 Showerhead holder [mounted by Ropox].....	23
10. Electro magnetic compability	24
10.1 Suitable Environments.....	24
10.2 Basic safety and Essential performance.....	24
10.3 Adjacent and stacked use.....	24
10.4 Cables.....	24
10.5 RF portable equipment.....	24

1. Symbols used in this manual

<p>Warning Symbol</p> <p>Indication of potentially hazardous situation. If not avoided it can result in serious injury or death.</p>	
<p>Caution Symbol</p> <p>Indication of potentially hazardous situation which may result in minor or moderate injury. It may also be used to alert against unsafe practices.</p>	
<p>Notification Symbol</p> <p>This symbol is used to notify correct use and handling of the product.</p>	

2. General safety

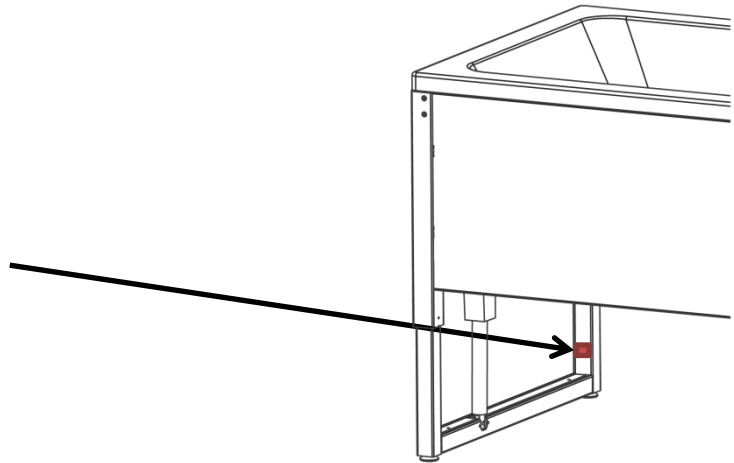
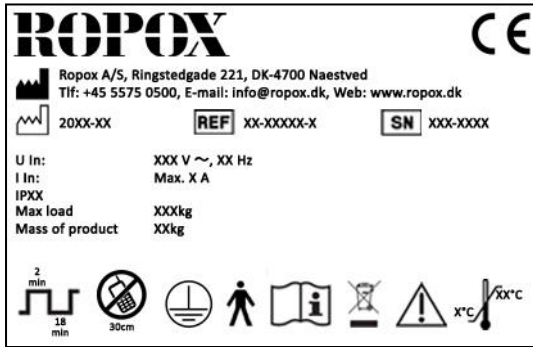
	<p>This manual must be read and understood before use. Always keep this manual in close proximity of the product.</p> <p>The use, installation and service of this product must be in compliance with this manual to avoid accidents and serious personal injury.</p> <p>Never use or handle this product in other ways specified in this manual as it can result in personal safety hazards and/or cause damage to the product.</p> <p>Persons installing and/or are using this product either as operator or patient should have the necessary safety information and access to this manual.</p>
	<p>Always comply with instructions in this manual to avoid damaging or destroying the product. Not doing so can cause the safety of this product to be compromised.</p> <p>Do not perform repairs, disassembly or assembly operations, add-ons, re-adjustments or modification of the product beyond what is described in this manual. These must be carried out by Ropox or Ropox authorized personnel. Do not perform service while in use with a patient.</p> <p>Do not allow children to operate this product unless they are under supervision from an adult that has read and understood this manual. The product is not intended to play with.</p> <p>Do not use the product if it has defects or have become damaged before being repaired or replaced.</p>



The information in this manual is based on correct installation in accordance with installation instructions for this product.

Ropox cannot be held liable if the product is used in any way that differs from stated in this manual and/or installation instruction.

Ropox reserve the right to amend this manual and reference documents without prior notice.



2.1 Product label

	This product is CE-marked in accordance with the European Medical Device Directive 93/42/EEC, including amendments incorporated in Directive 2007/47/EEC. It also complies with all relevant requirements in the Council Directive 2006/42/EC on machinery
	Manufacturer name and address
	Date of production
REF	Stock number
SN	Serial number
	Consult manual before use
	Operating interval of electrically operated equipment. The use of electrical height adjustable equipment can run at maximum 2 minutes, followed by an 18-minute break.
	Type B applied part. The product complies with IEC 60601-1 requirements to provide protection against electric shock.
	Consult manual for important safety related information, warnings and safety precautions.
	Class 1, grounding of electrical components and available metal parts
	Do not dispose as unsorted municipal waste. Product must be returned to a designated recycling station.
	Mobile phones or other portable RF emitting equipment should be no closer to the product than 30cm.
	Operating and storing temperatures may not exceed 5-40C°

3. General information

3.1 Product information

Manufacturer:	Ropox A/S Ringstedgade 221, DK-4700 Naestved +45 55 75 05 00 Info@ropox.com		
Product models	Part number	Model	Configuration
	40-14156-2	Bathtub 160x70cm	Incl. standard mixer
	40-14157-2	Bathtub 170x75cm	tap
	40-14158-2	Bathtub 180x80cm	Incl. showerhead
MDD Class 93/68/EEC	Class I		
Applied part classification 60601-1	Type B applied part		
MEE Class 60601-1	Class I		
Height adjustment	65-95cm		
Speed of actuation	≈ 12mm/s		
Maximum user weight according to EN12182:2012	250kg		
Power supply	100-240V ~50/60Hz		
I in	Max 2.0A		
Intermittence	2min on / 18min off		
IP rating	IPX6		
Ambient temperature	5-40C° Operation and storage		
Materials in contact with patient	Kar	Fiberforstærket akryl	
	Ramme	Rustfri stål	
	Kapper	St37 pulverlakeret Aluminium anodiseret og pulverlakeret	
Intended environments	This product is to be used only in: - Professional Healthcare Environment - Homecare Environment <i>The device is not intended for use in special environments as defined by IEC 60601-1-2</i>		
Accessories	Safety stop for one side	For model:	
	40-14206-1	160x70cm	
	40-14207-1	170x75cm	
	40-14208-1	180x80cm	
	Safety stop for two sides		
	40-14216-1	160x70cm	
	40-14217-1	170x75cm	
	40-14218-1	180x80cm	
	Shower bed, folding up, right		
	40-14226	160x70cm	
	40-14227	170x75cm	
	40-14228	180x80cm	
	Shower bed, folding up, left		
	40-14236	160x70cm	
	40-14237	170x75cm	
	40-14238	180x80cm	
Folding bed guard			
40-14186	160x70cm		
40-14187	170x75cm		
40-14188	180x80cm		

	Showerhead holder [mounted by Ropox] 40-14120	160x70cm / 170x75cm / 180x80cm
--	--	--------------------------------

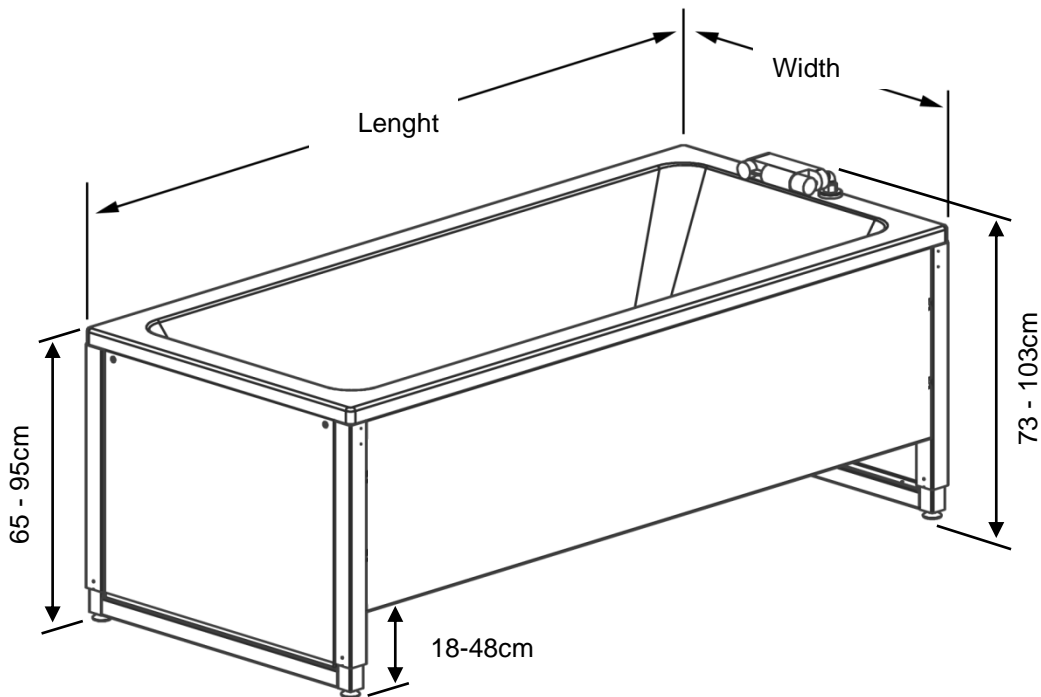
3.2 Intended use

The height-adjustable bathtub is designed for washing and bathing children and adults with a weight of up to 250 kg. The bathtub is ideal for private homes, day-care centres and the like to ensure correct and optimum working conditions for the care personnel. The product is approved for use in wet rooms. Badekarrets højde kan justeres trinløst fra 65-95cm ved hjælp af håndbetjeningen

3.3 Intended operator

Reading and understanding this manual will be sufficient training for an intended operator. Children or patient are not considered intended operator.

3.4 Dimension sketches



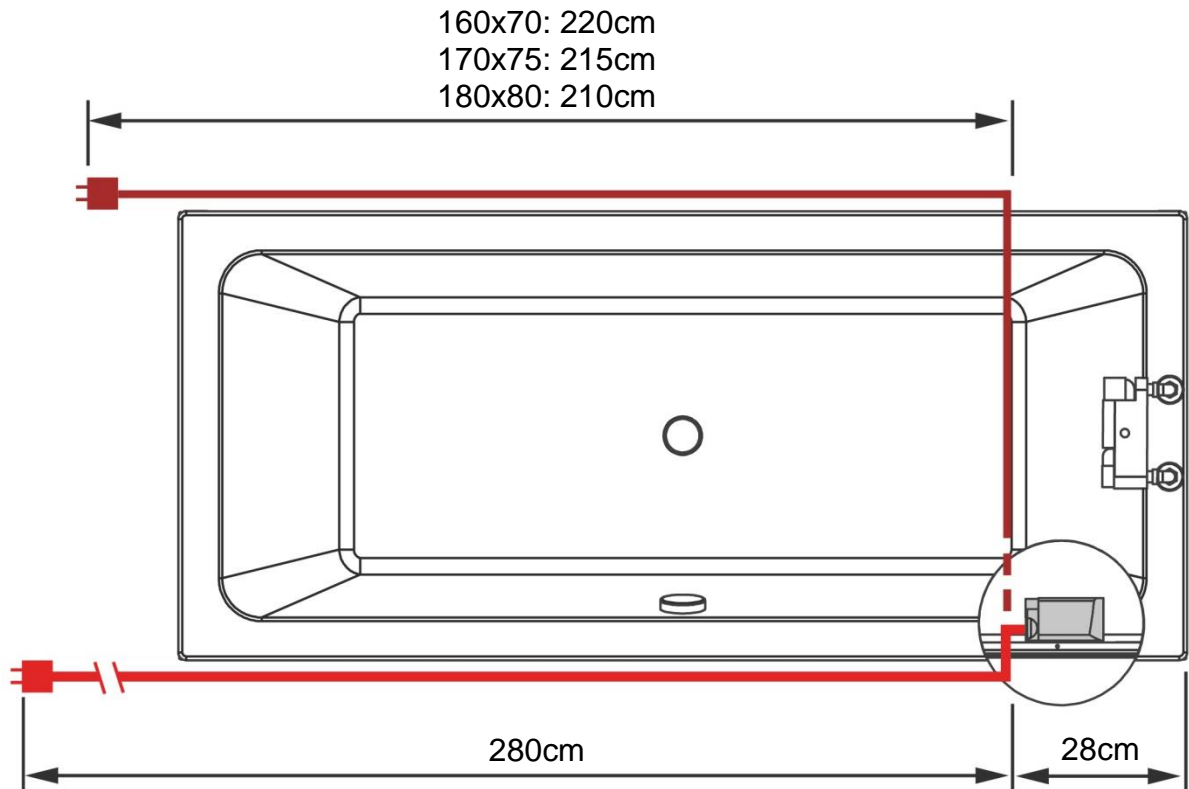
Model	Lenght	Width
40-14156	160cm	70cm
40-14157	170cm	75cm
40-14158	180cm	80cm

4. Instructions for use

4.1 Pre-installations information

4.1.1 EI installations

Reach of mains cable, full length 3,5m



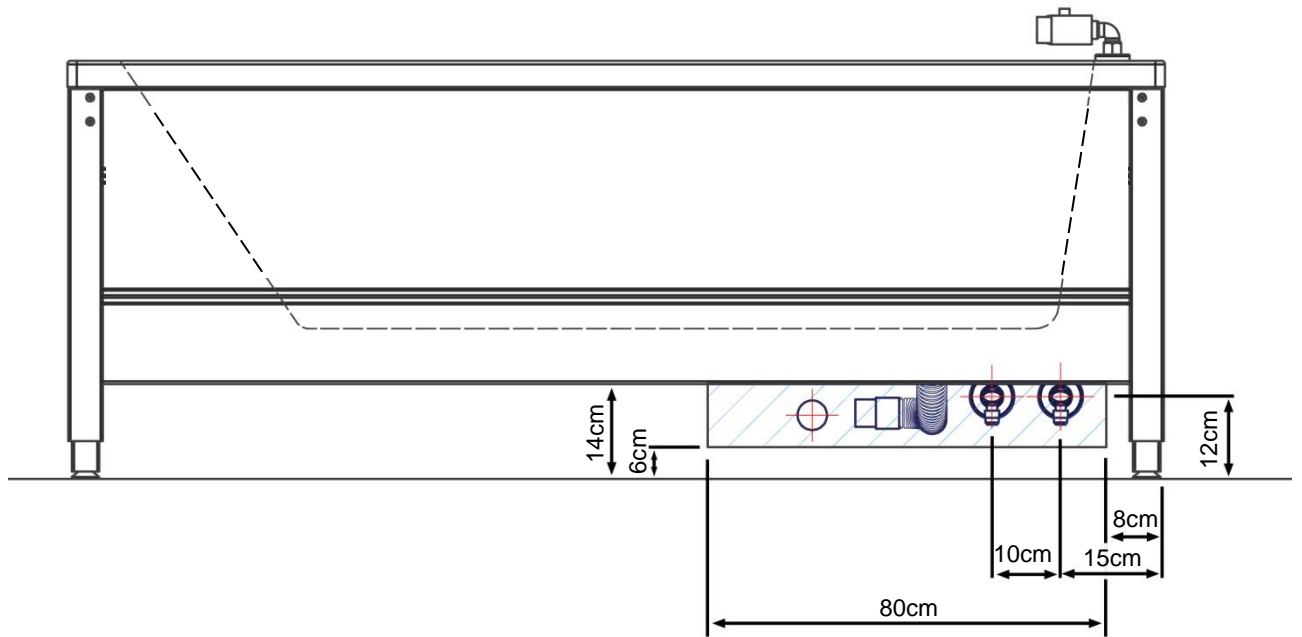
Warning!

Power supply points must be located according to national or international directions / standards

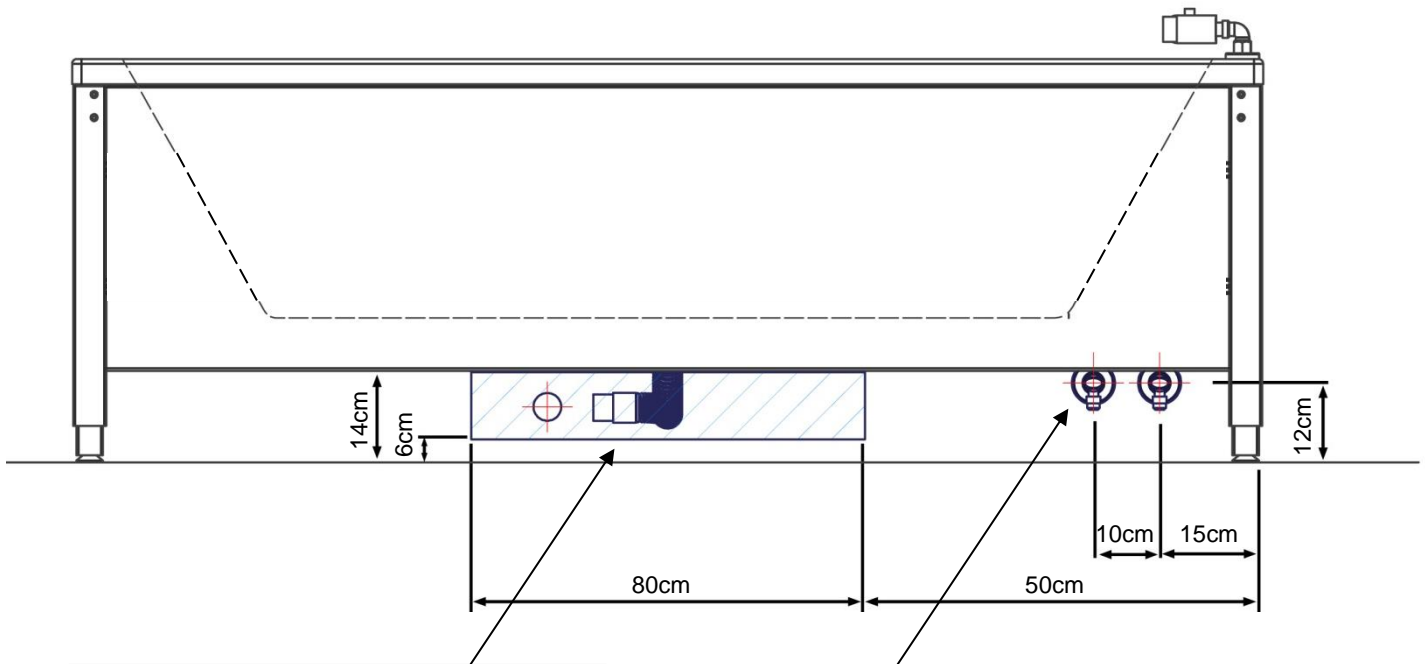
4.1.2 Water

Applies to 160x70 og 170x75 bathtub:

The hatched area is the recommended area for location of drain.



Applies to 180x80 bathtub:

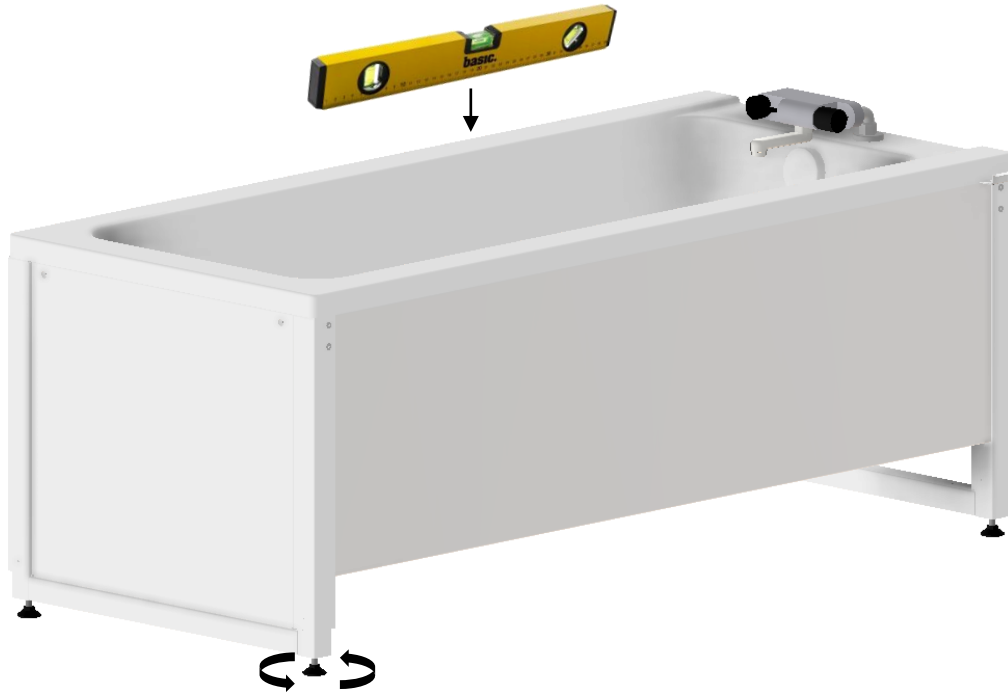


Note:
Flexible drain hose (Ø40). Length 51-150cm.
Drain in wall finished with an Ø40x88° bend (not provided)

Note:
Stop valves with 1/2" external thread (not provided).
Turn downward as shown. Flexible hoses (100cm) from mixer tap will reach 14cm outside the frame.

4.2 Installation of product

The bathtub is delivered as an assembled unit. Place the bathtub and adjust the four setscrews of the feet to make sure that the bathtub is horizontal. Connecting the product to mains, as well as water supply and drain hoses, makes it operational.



Warning!

Before use always make sure that mains cable and hand control cable will be able to travel freely without the risk of squeezing or disconnecting the product as result of the movement.



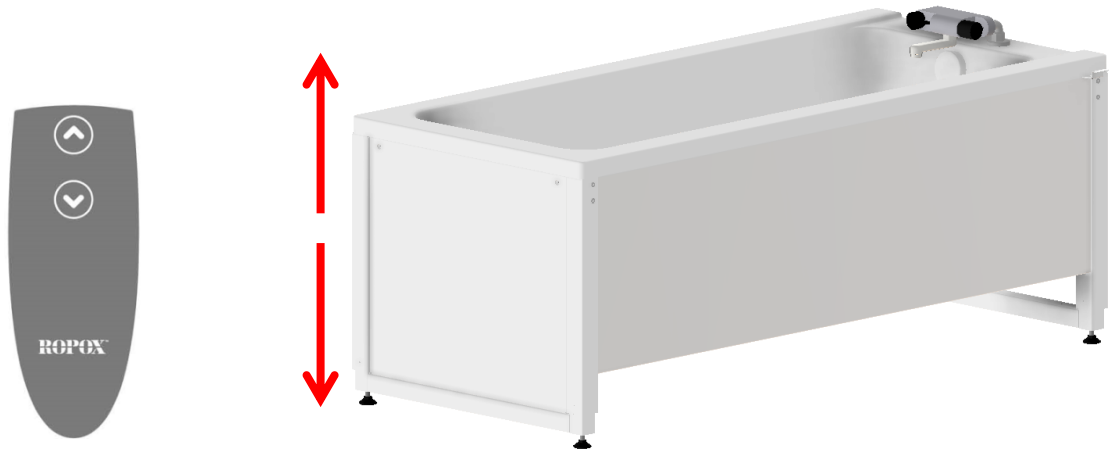
Caution!

When connected to the mains the product must be placed in a manner according to power outlets so that the operator will be able to disconnect the product during use in case of an emergency.

4.3 Operating the product

4.3.1 Actuation of the product

The product is operated with the spiral cord hand control. Arrow up will move the product upwards and arrow down will move the product downwards.



	<p>Warning! The product should always be able to travel the full range of actuation without colliding with objects. Failing to do so will compromise the product stability. Special care should be taken in ensuring that no children or adults are sited under the product as severer injury from entrapment may occur.</p>
--	---

	<p>Note! The movement of the bathtub stops as soon as you let go of the button. This is an important safety factor.</p>
--	--

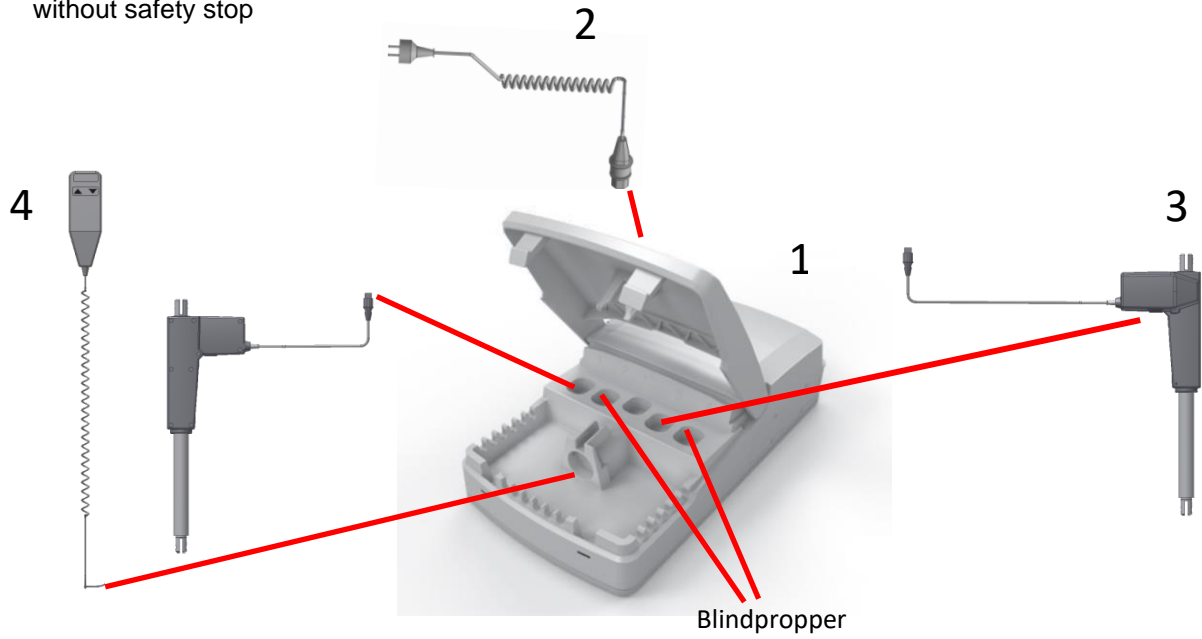
4.4 General recommendations for use

	<p>Warning! Never leave a person on the shower bed (accessories) unattended - not even for a short period.</p>
--	---

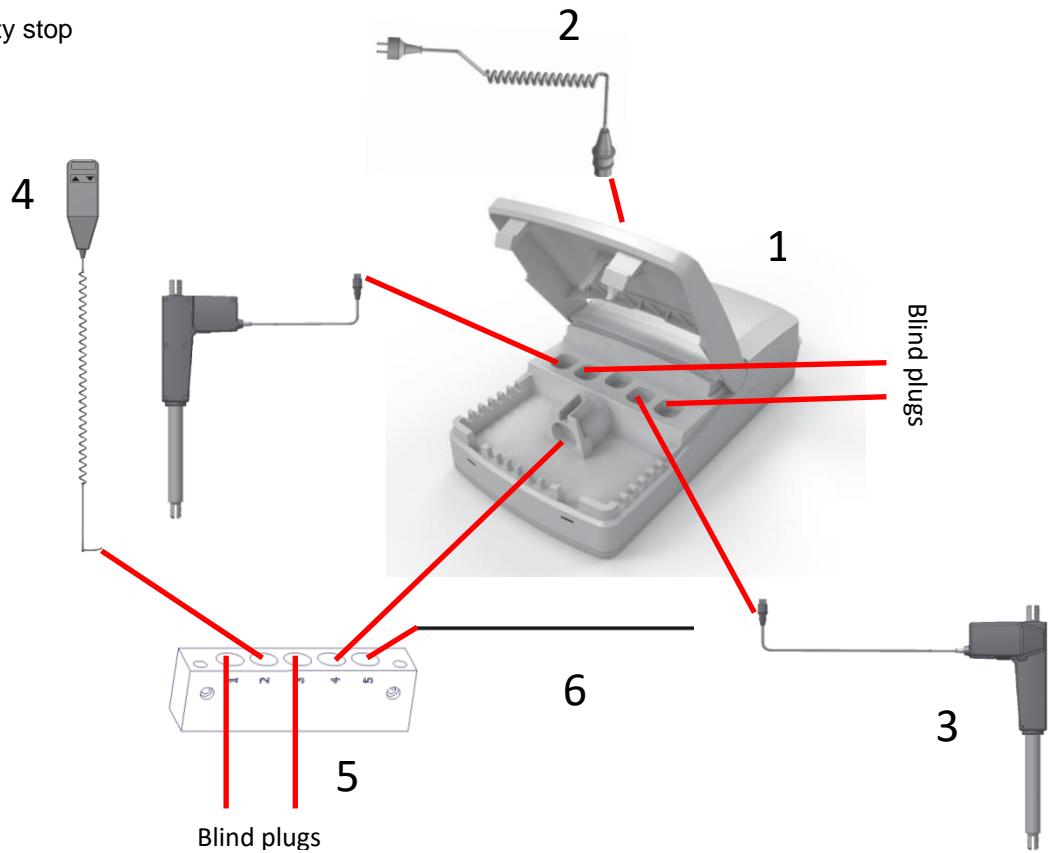
	<p>Caution! Be aware that using the bathtub and showerbed, there will naturally be water splashes on the floor that can make the floor slippery and cause a fall risk.</p>
--	---

4.5 Wiring diagram

without safety stop



With safety stop



- 1. Controlbox
- 2. 230V cable
- 3. Motor, connected to ports 1 og 3
- 4. Handheld control switch
- 5. MJ box (only with safety stop)
- 6. Safety stop

5. Cleaning

Simply use a soft cloth with soapy water of max 85°C. Always wash the bathtub after use to prevent dirt from sticking to the surface.



Note!

Do not use cleaning agents containing abrasive e.g. scouring powder, steel wool, scouring sponge.

This product is not designed to be sterilized, autoclaving and sterilization beyond normal cleaning is may possibly change the product safety and function.

5.1 Plastic tub

Clean the surface with a soft cloth and soapy water. Do not use abrasive cleaning agents. Resistant spots may be removed with hot water and a mild soap.

Spots of glue may be removed with vinegar and water. Wash with water.

Always clean the bathtub after use to prevent dirt from sticking to the surface.



Note!

The bathtub may be used for washing clothes with a normal detergent. Do not use the bathtub for soaking over a longer period as some detergents may contain aggressive substances.

5.2 Mixer tap, shower hose and hand shower

Clean at regular intervals with a soft cloth with water and a customary cleaning agent. Decalcify the mixer tap and filter with vinegar and wash with water. Do not use strong cleaning agents for chrome surfaces.

6. Maintenance



Note!

Failing to comply with periodic maintenance may result of degrading of product function and safety.

6.1 Periodic maintenance

Once a year (at least):

Adjust the bathtub to top position and check that:

1. All bolts on the top and bottom of the actuator are securely tightened.
2. All connections (water supply and drain) are in order and undamaged.
3. Mixer tap, shower hose and shower head are in order and undamaged.
4. The frame and cover plates are undamaged.
5. Press the DOWN button, adjust the bathtub to bottom position and check that the movement is smooth and even. See that the hose connections follow the movement of the bathtub without getting jammed.
6. Now press the UP button, adjust the bathtub to top position, and check that the movement is smooth and even. See that the hose connections follow the movement of the bathtub without getting jammed.
7. If a safety strip has been mounted. Press the DOWN button, let the bathtub move 2-5 cm downward, and activate the safety stops with a light pressure. The bathtub should now stop the downward movement, move 1-2 cm upward and stop.

6.2 Fault finding

Problem	Remedy
The bathtub does not move up or down when the hand-control switch is pressed	Check whether: <ol style="list-style-type: none"> 1. 230V has been connected and current is available. 2. The motor has been connected with the control unit. 3. The control switch has been connected with the control unit . 4. The motors are overloaded (note: 2 min. ON, 18 min OFF)
Control switch defective	Check whether: <ol style="list-style-type: none"> 1. The bathtub works with another control switch
When pressing the UP and DOWN buttons you only hear "clicks" from the control unit, bathtub does not move	<ol style="list-style-type: none"> 1. The plugs may not have been inserted correctly. Dismount all cables from the control unit and insert them again. Resetting may be required.
The bathtub is not horizontal / level	<p>"Reset"</p> <p>Press and hold UP (▲) and DOWN (▼) buttons. Keep the buttons depressed until the control unit has beeped approx.. ten times. After that, the bathtub may be adjusted to the bottom position for resetting.</p>

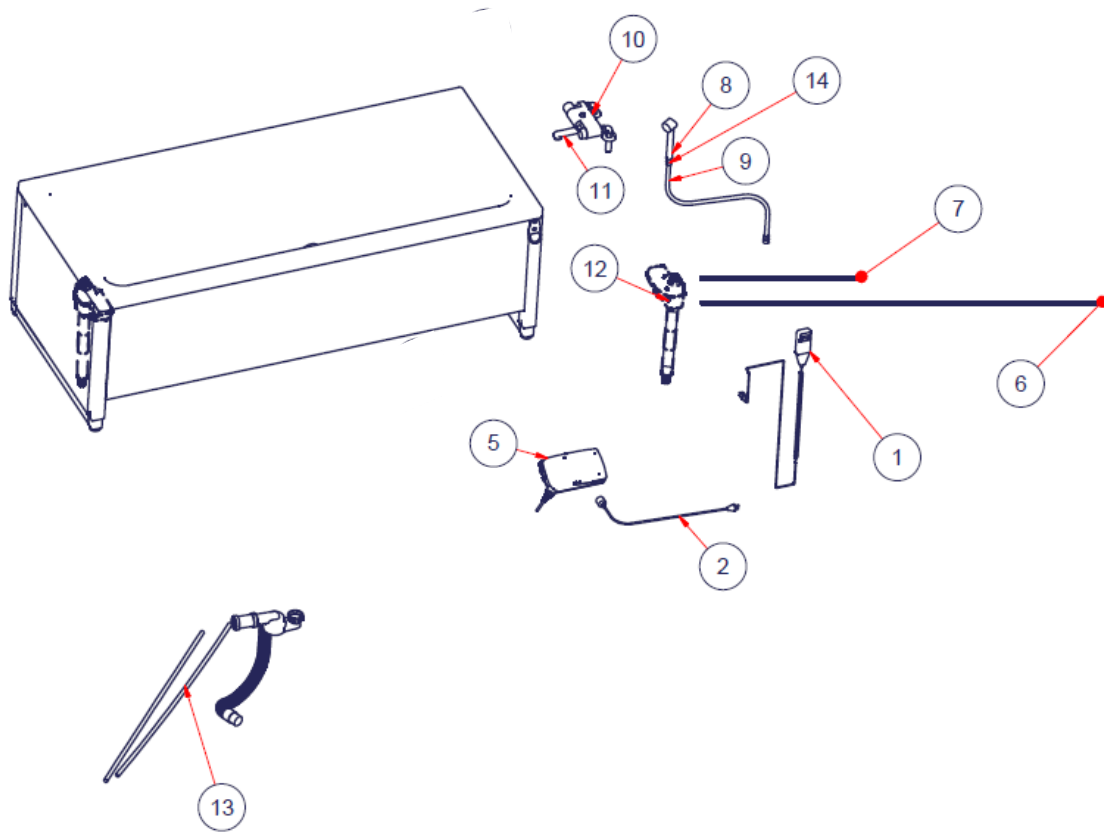
7. Environmental protection

The product is not intended to be disposed as municipal waste. Proper disassembly, sorting and disposal of components must be done by waste disposal professionals.



Part	Disposal recommendation
Bathtub	Hard plastic
Frame	Steel waste
Bed guards	Steel waste
Cover	Aluminum
Controlbox	Electronics
Actuator	Electronics
Handheld control switch	Electronics

8. Spare parts



#	Name	Item number
1	Hand control	97001656
2	230V cable	97000858
5	Controlbox CO61	97001720
6	Motor cable L= 2500mm	97001739
7	Motor cable L=1000mm	97001740
8	Shower head, Alterna Primeo	97001623
9	Hose for hand shower 1,6m	97001371
10	Mixer tap Damixa for bathtub	97001318
11	Spout for mixer tap, Damixa	97001319
12	Actuator LA40	97001702
13	Plumbing kit bathtub	40-14359-1

9. Accessories

9.1 Safety stop

As an option, the bathtub can be ordered with safety stop strip for one or two sides. If the bathtub is placed in a corner, a safety stop for one side will be sufficient. If the bathtub is freestanding, safety stop is recommended on two sides.

Bathtub	40-14156	40-14157	40-14158
Safety stop for one side	40-14206	40-14207	40-14208
Safety stop for two sides	40-14216	40-14217	40-14218

Safety stop for one side:

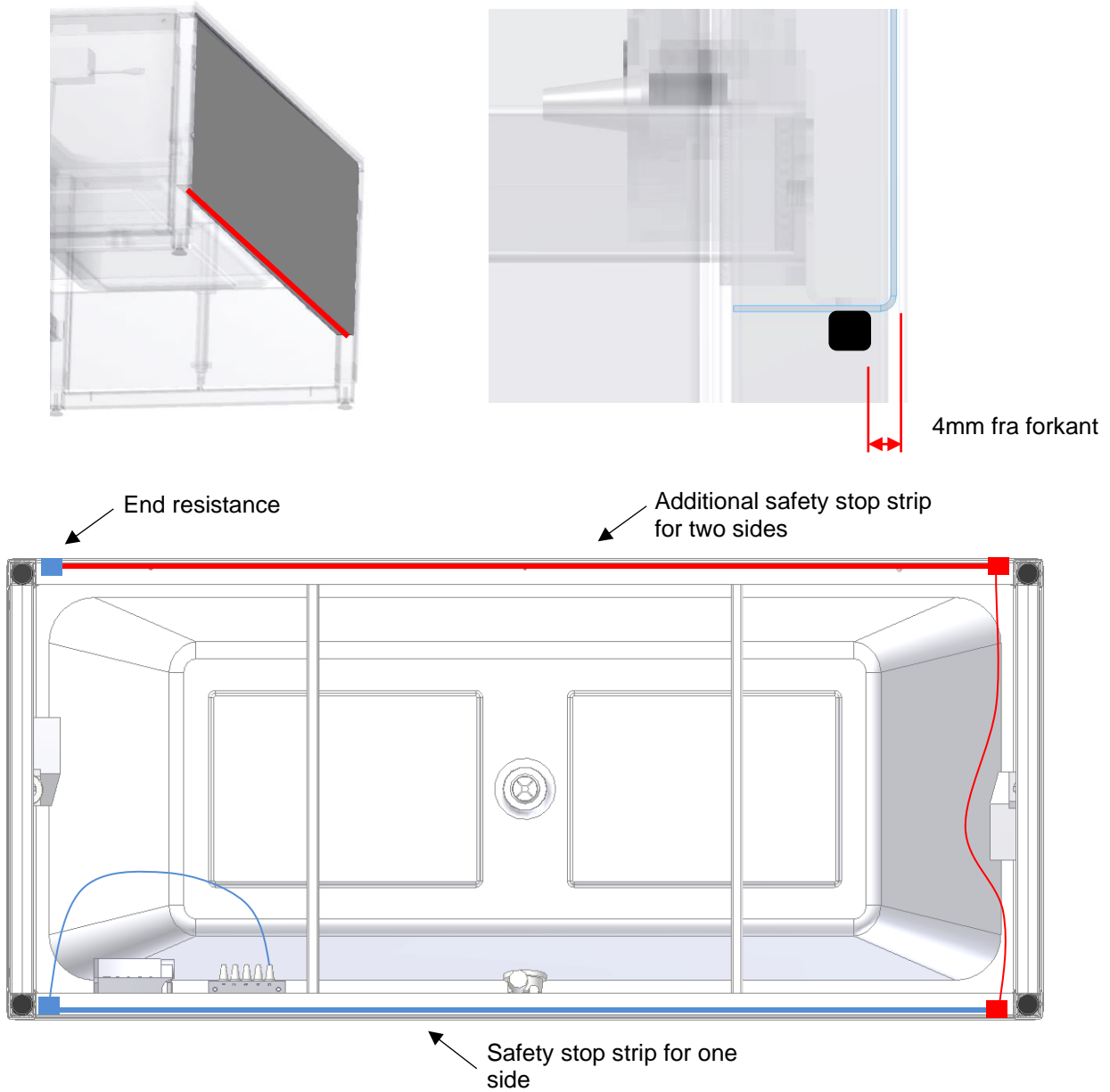


Safety stop for two sides:



9.1.1 Mounting of safety stop

To ensure optimum safety, the safety stop strip should be located on the underside of the side cover as illustrated.



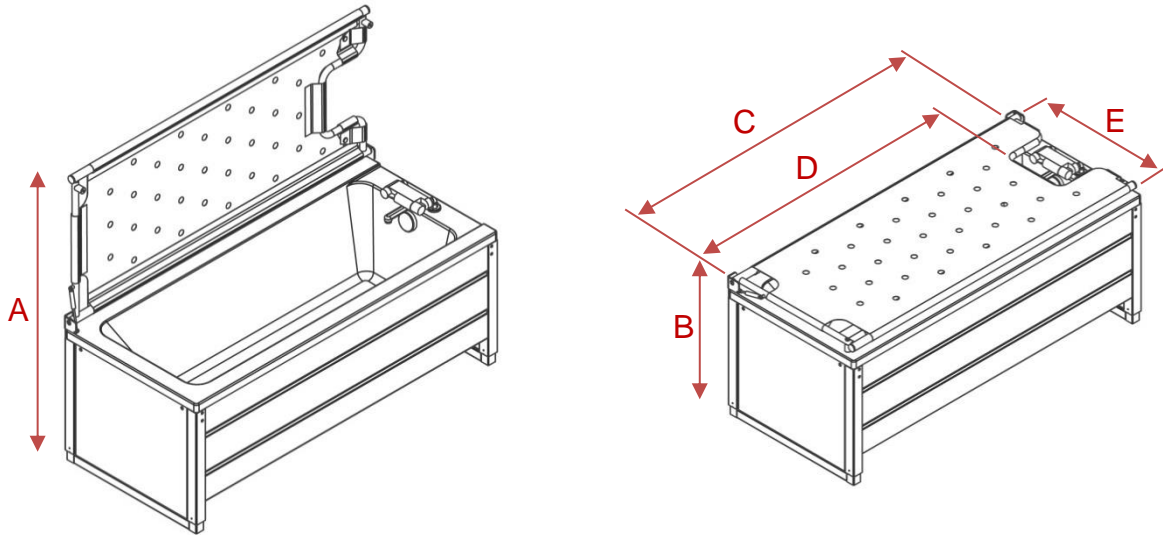
Warning!
Before using the bathtub, check the function of the safety stop strip.

9.2 Shower bed, folding up

The shower bed is available as an option and may be mounted on existing bathtubs. It may be fitted on the right-hand or left-hand side of the bathtub. "Right-hand" means that the mixer tap is located to the right when viewed from the front of the bathtub. Available sizes appear from the table below.

Please note that the shower bed will result in an increase of the height by 5,5 cm

9.2.1 Dimension sketches



Bathtub	A	B	C	D	E
40-14156	131-161cm	66-96cm	155cm	131cm	68cm
40-14157	136-166cm	66-96cm	165cm	141cm	73cm
40-14158	141-171cm	66-96cm	175cm	151cm	78cm

Bathtub	40-14156	40-14157	40-14158
Shower bed	40-14226 (right) 40-14236 (left)	40-14227 (right) 40-14237 (left)	40-14228 (right) 40-14238 (left)
Length/width	155x68cm	165x73cm	175x78cm



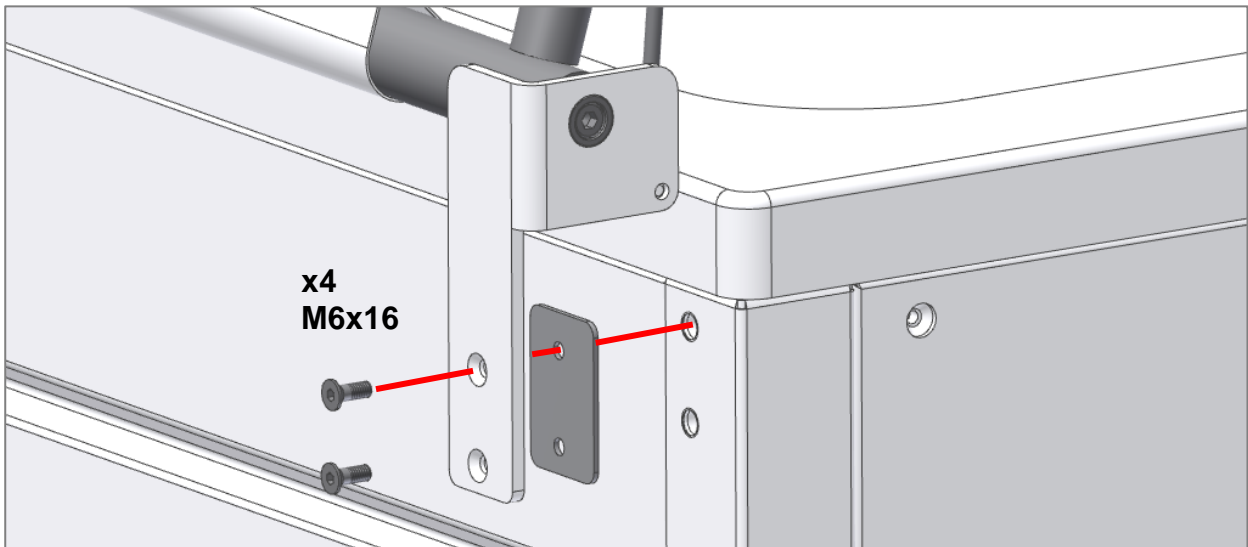
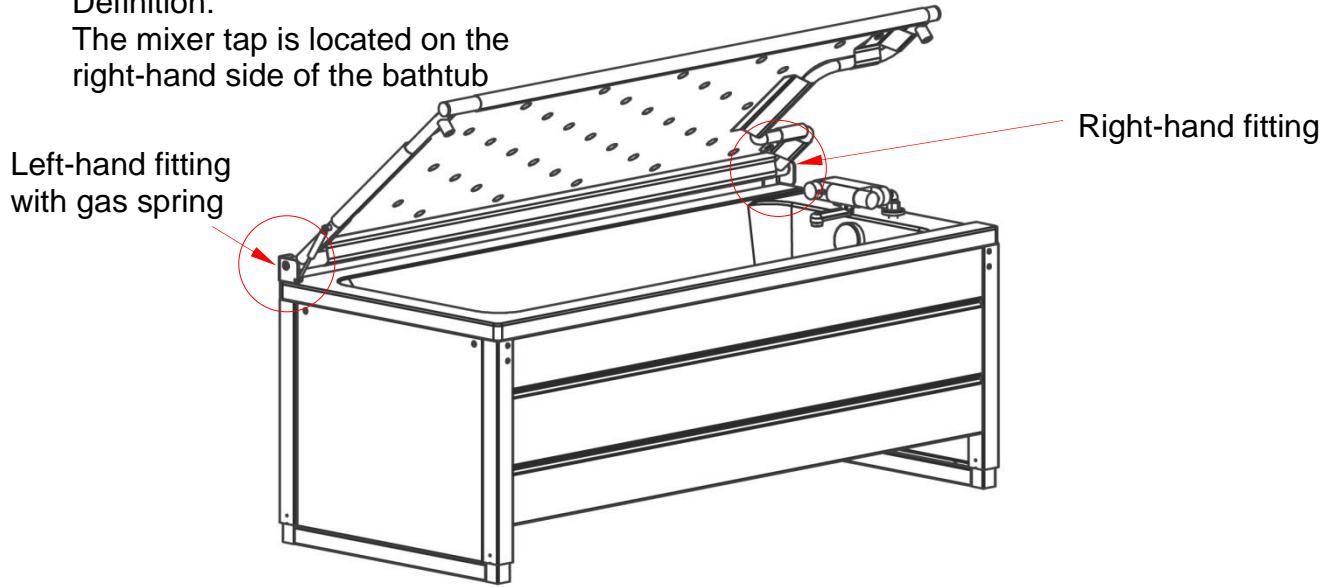
Warning!

Maximum user weight for shower bed according to ISO 17966:2016 is 150kg

Right hand (standard)

Definition:

The mixer tap is located on the right-hand side of the bathtub



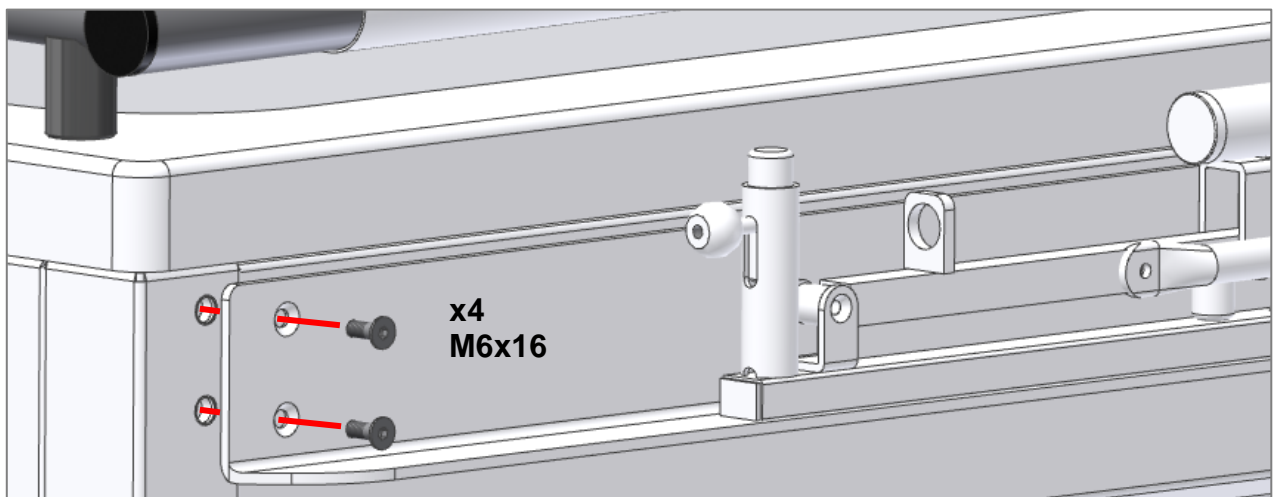
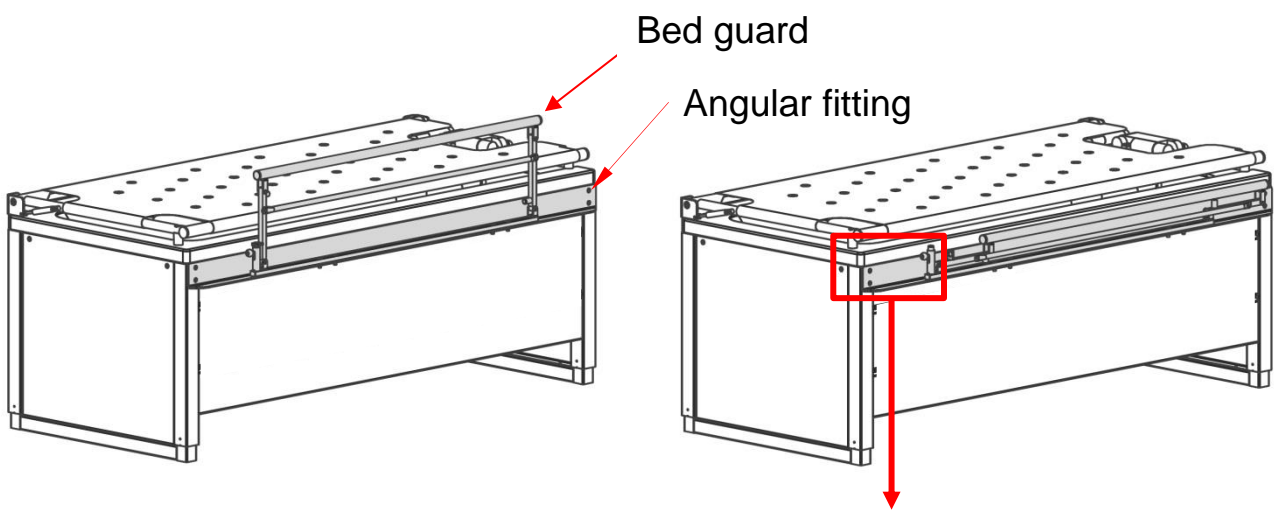
9.3 Folding bed guard

A folding bed guard is available as an option. It is mounted on the side of the bathtub by means of an angular fitting.

Note that the bed guard is identical for all bathtubs and that the angular fitting has different lengths to suit the specific bathtub.

Bathtub	40-14156	40-14157	40-14158
Bed guard (110cm)	40-14186	40-14187	40-14188

9.3.1 Mounting of bed guard



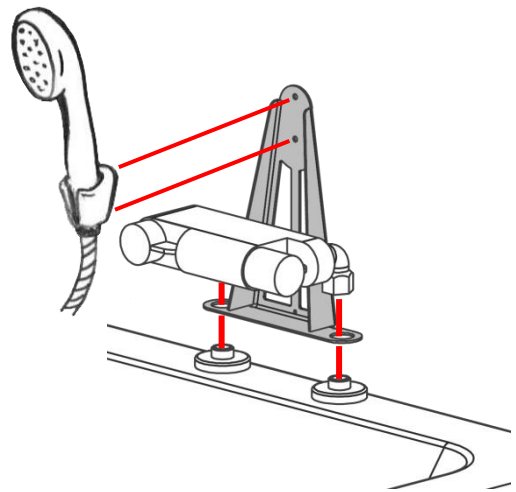
Caution!

As the bed guard may be folded down, there may be entrapment zones that cannot be covered. Therefore, ALWAYS ensure that there is no risk of entrapment when folding the bed guard up or down.

9.4 Showerhead holder [mounted by Ropox]

As an option, a showerhead holder is available for mounting on the wall fitting of the showerhead.

Bathtub	40-14156	40-14157	40-14158
Holder	40-14120		



10. Electro magnetic compability


10.1 **Suitable Environments**

The device is suitable for use at home, at daycare centres, at day centres for persons with physical or mental disabilities or at hospitals except near active HF surgical equipment and the RF shielded room of an medical electrical system for magnetic resonance imaging, where the intensity of electromagnetic disturbances is high.

10.2 **Basic safety and Essential performance**


The device does not have any function related to basic safety or essential performance. In case of loss or degradation of performance, the user can get on and off the product.

10.3 **Adjacent and stacked use**


	<p>Warning! Use of this equipment adjacent to or stacked with other equipment should be voided because it could result in improper operation. If such use is necessary, this equipment and the other equipment should be observed to verify that they are operating normally</p>
---	---

10.4 **Cables**

Cable component	Lenght
Power cable	3,2 m
Hand control spiral cable	Approx. 5 m extended.

	<p>Warning! Use of accessories, transducers and cables other than those specified or provided by the manufacturer of this could result in increased electromagnetic emissions or decreased electromagnetic immunity of this equipment and result in improper operation.</p>
---	--

10.5 **RF portable equipment**

	<p>Warning! Portable RF communications equipment (including peripherals such as antenna cables and external antennas) should be used no closer than 30 cm (12 inches) to any part of the device, including cables specified by the manufacturer. Otherwise, degradation of the performance of this equipment could result.</p>
---	---