



# Ropox Folding shower seat

User manual

Installation guide

**This manual must always accompany the product**

# Table of Contents

---

<b>Product information</b> .....	<b>3</b>
Options .....	4
<b>Technical data</b> .....	<b>5</b>
Dimensioned drawings .....	6
<b>Mounting instructions</b> .....	<b>8</b>
Mounting instructions for shower seat without leg 40-43016 .....	8
Mounting instructions for shower seat with leg 40-43011 .....	11
<b>User instructions</b> .....	<b>15</b>
Folding away after use .....	15
Safety in use .....	15
<b>Maintenance</b> .....	<b>16</b>
Cleaning .....	16
Troubleshooting .....	18
Waste management .....	18
Factors that affect the product's functionality .....	18
<b>Marking</b> .....	<b>19</b>
Labels .....	19
Symbols .....	Fejl! Bogmærke er ikke defineret.
<b>Spare parts</b> .....	<b>20</b>
Current spare parts .....	20
<b>CE Declaration</b> .....	<i>Fejl! Bogmærke er ikke defineret.</i>
EU Declaration of Conformity .....	Fejl! Bogmærke er ikke defineret.
Directives .....	Fejl! Bogmærke er ikke defineret.
Standards .....	Fejl! Bogmærke er ikke defineret.
<b>Complaints</b> .....	<b>21</b>

## Product information

---



It is important that you read this manual before using this product.

- Product: Ropox Shower Seat
- Manufacturer: Ropox, DK-4700 Næstved, Tel. +45 55 75 05 00
- Area of application: The shower seat is designed to provide a comfortable seat and support for people using the shower/bath. The seat can be used in private homes, care centres or similar institutions in order to ensure simple, comfortable movement and use.

## Options

### 40-43016 Ropox Folding Shower Seat



Maximum user weight 150kg/330lbs

for 40-43016

### 40-43011 Ropox Folding Shower Seat with leg



Maximum user weight 200kg/440lbs

for 40-43011

## Technical data

---

Seat height	Folding seat with leg: 450 - 575 mm / 17 <sup>23</sup> / <sub>32</sub> " – 22 <sup>3</sup> / <sub>5</sub> "
Materials	Seat: Stainless steel, wood, PUR foam Wall unit: Stainless steel, PA 6.6, spring steel, surface-treated steel Leg: Aluminium, Stainless steel, PA 6.6, TPU
Surface treatment:	Stainless steel: Powder-coated, white RAL 9003 mat Steel: Blue chromate
Max. load:	Max user weight is 150kg/330lbs (without leg) and 200kg/440lbs (with leg) in accordance with DS/ISO 17966.



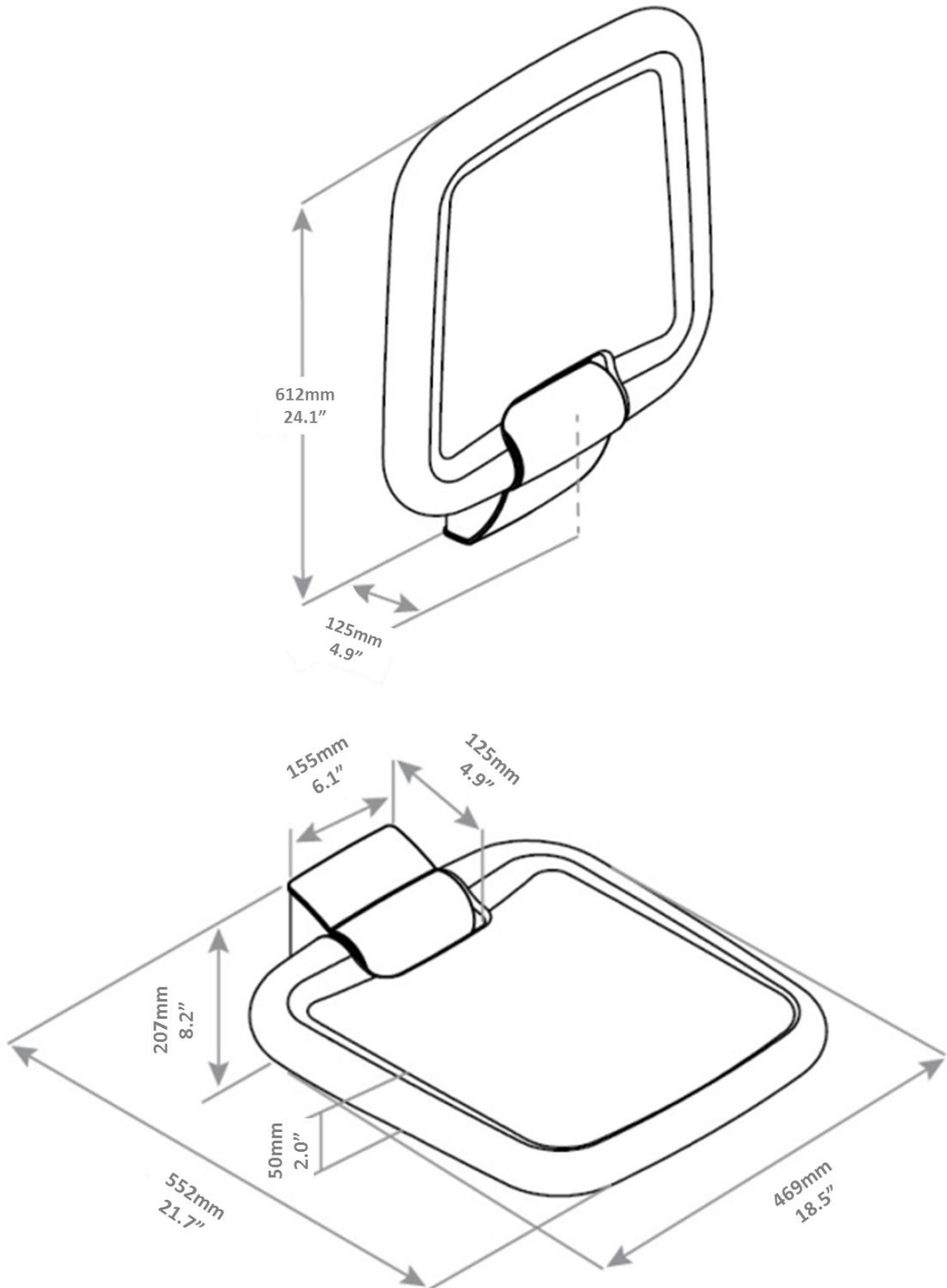
All models of Ropox Shower Seat are manufactured in accordance with the current requirements of Directive No. 93/42/EEC concerning Medical Devices and belong to the lowest risk class 1.

### Intended use

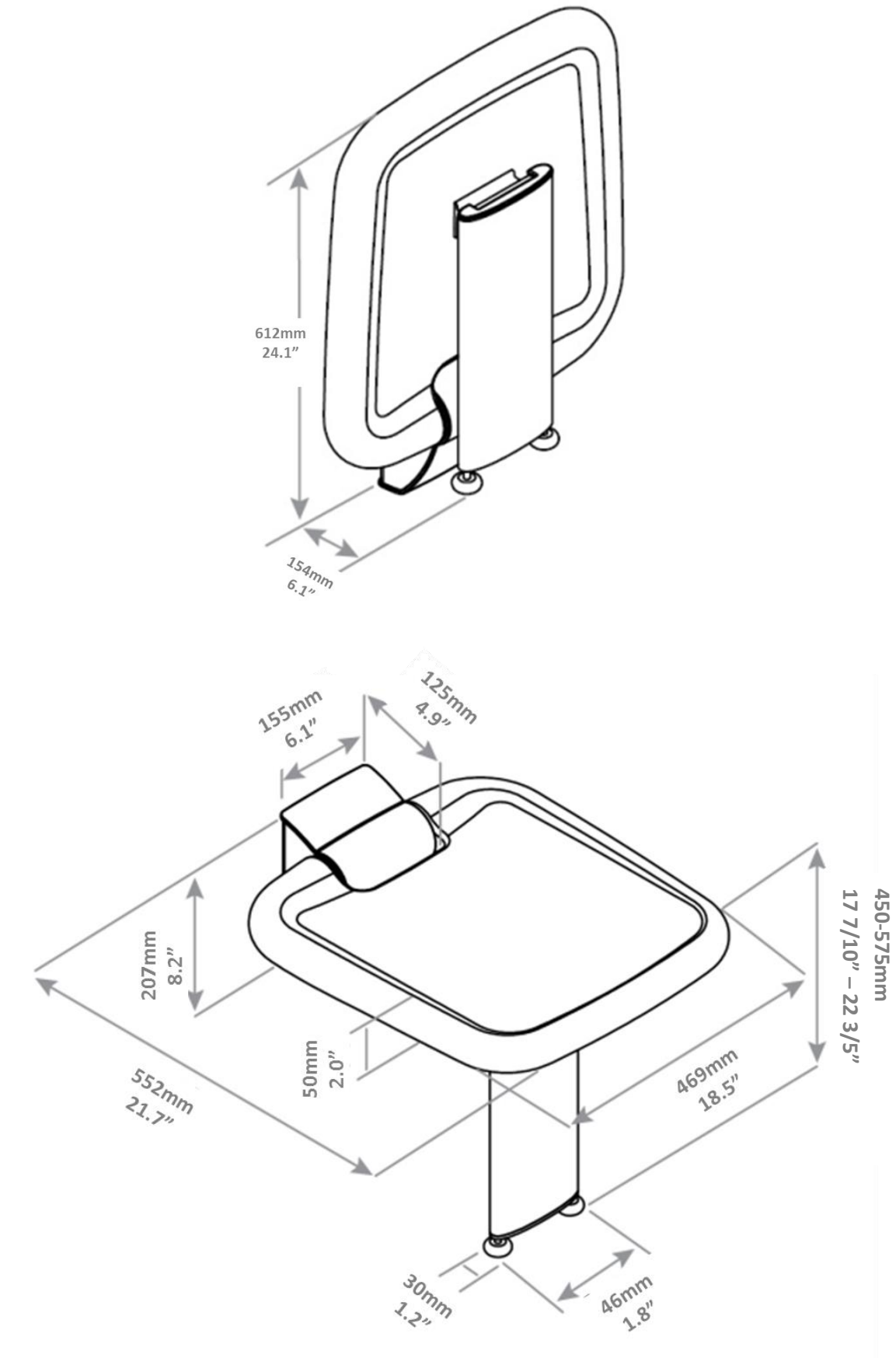
The shower seat is a flexible and stable aid for users who need to shower sitting down, and it can be used in all kinds of bathrooms. It is possible to fold the seat up to a vertical position which makes it possible to use the seat even in bathrooms with limited space. If you have mounted arm supports, these can also be folded up to free up space. It is possible to get the shower seat with height adjustment. The height is easily adjusted on the button that is located on the wall above the seat, and you can adjust the height up to 12,5 cm. The maximum user weight is 200 kg for models with a support leg and 150 kg for models without legs.

# Dimensioned drawings

40-43016 Ropox Folding Shower Seat



40-43011 Ropox Folding Shower Seat with leg



# Mounting instructions

## Mounting instructions for shower seat without leg 40-43016

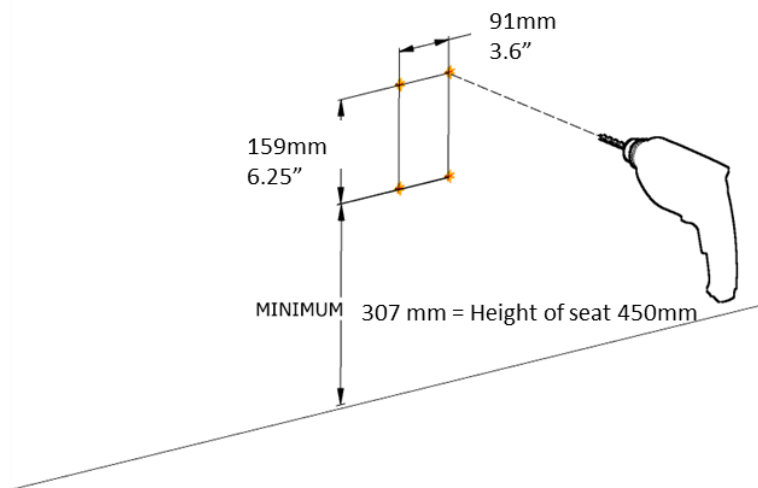
The following parts are included:

Shower Seat	x1
Mounting screws	x4
Rawlplugs	x4

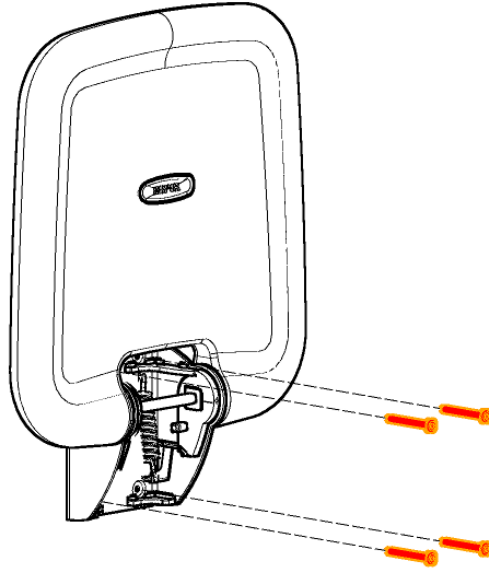
The screws and rawlplugs included are for mounting on a concrete wall. The installer must always examine the material, condition and strength of the wall and use appropriate screws and rawlplugs.

The seat has a max user weight of 150kg/330lbs.

Maximum load in the top screws are 225kg/496lbs.



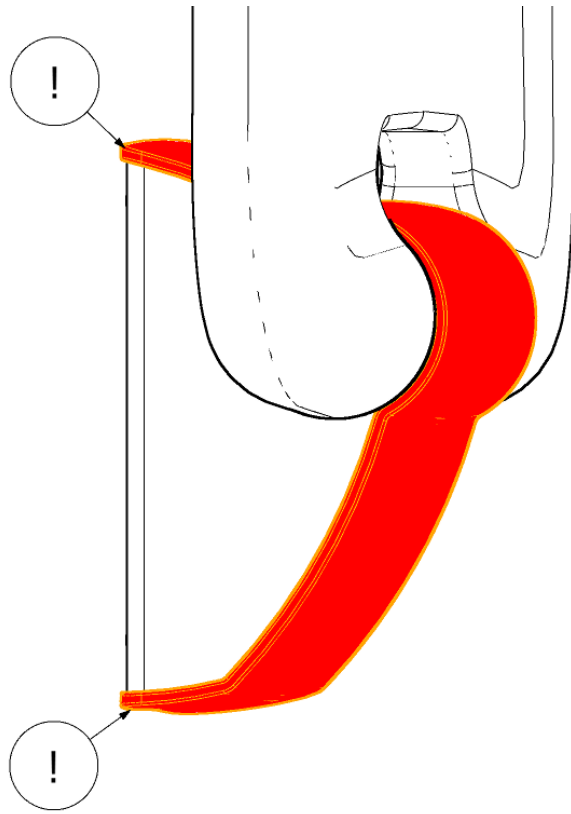




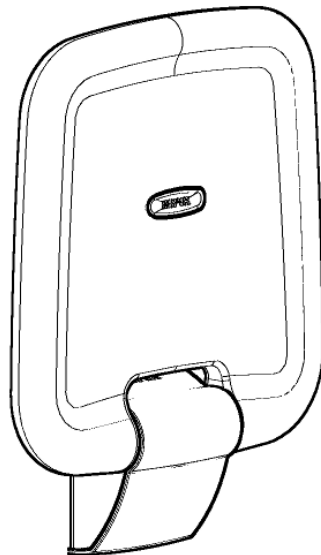
2



3



4



5

# Mounting instructions for shower seat with leg 40-43011

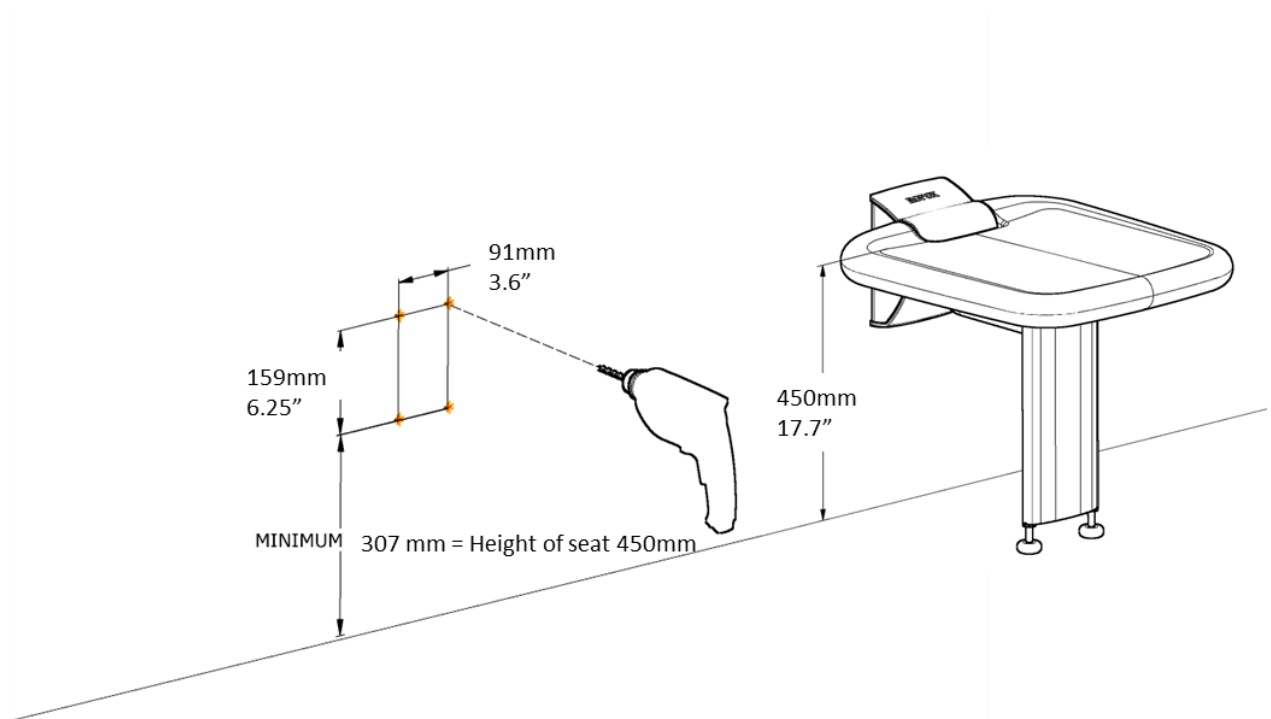
The following parts are included:

Shower Seat with leg and adjustment screws	x1
Mounting screws	x4
Rawlplugs	x4

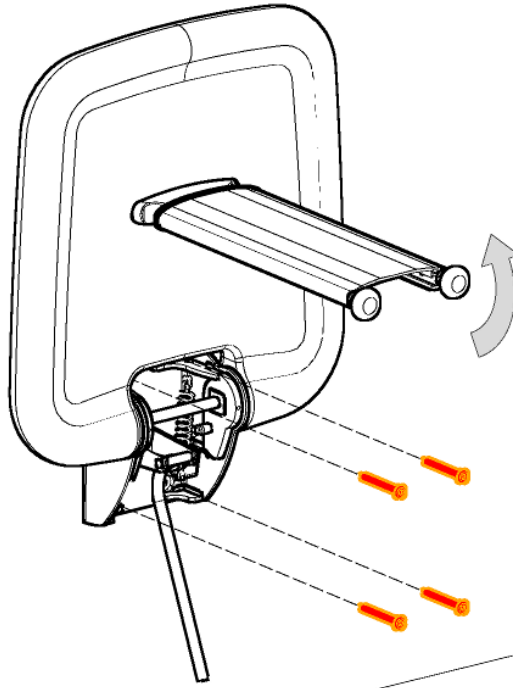
The screws and rawlplugs included are for mounting on a concrete wall. The installer must always examine the material, condition and strength of the wall and use appropriate screws and rawlplugs.

The seat with legs has a max user weight of 200kg/440lbs.

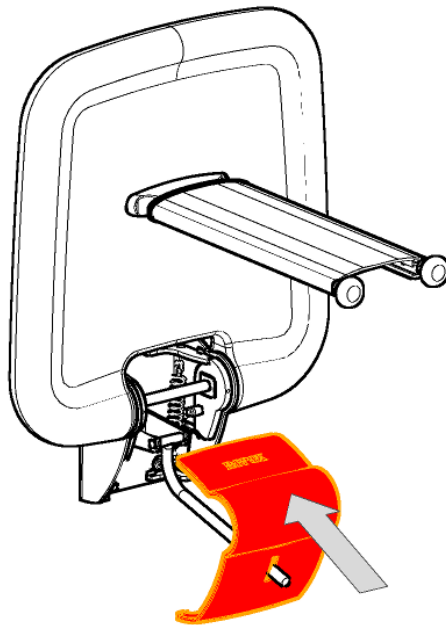
Maximum load in the top screws are 70kg/154lbs



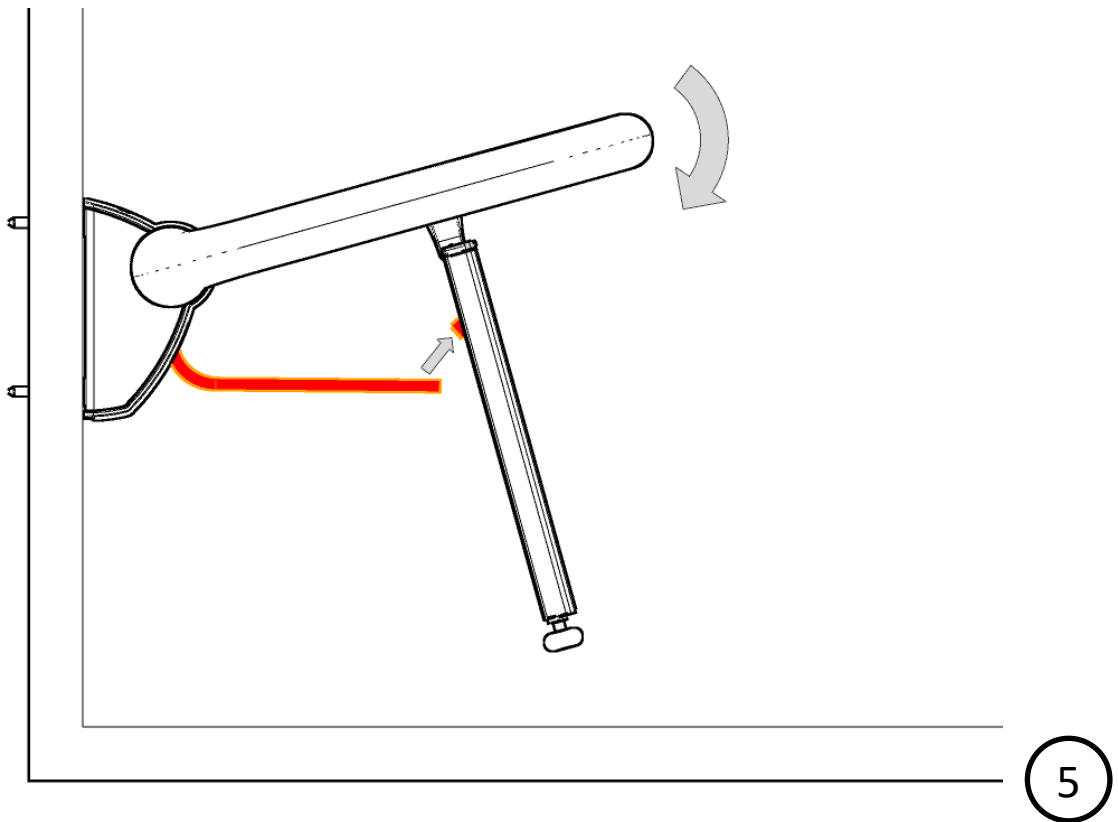
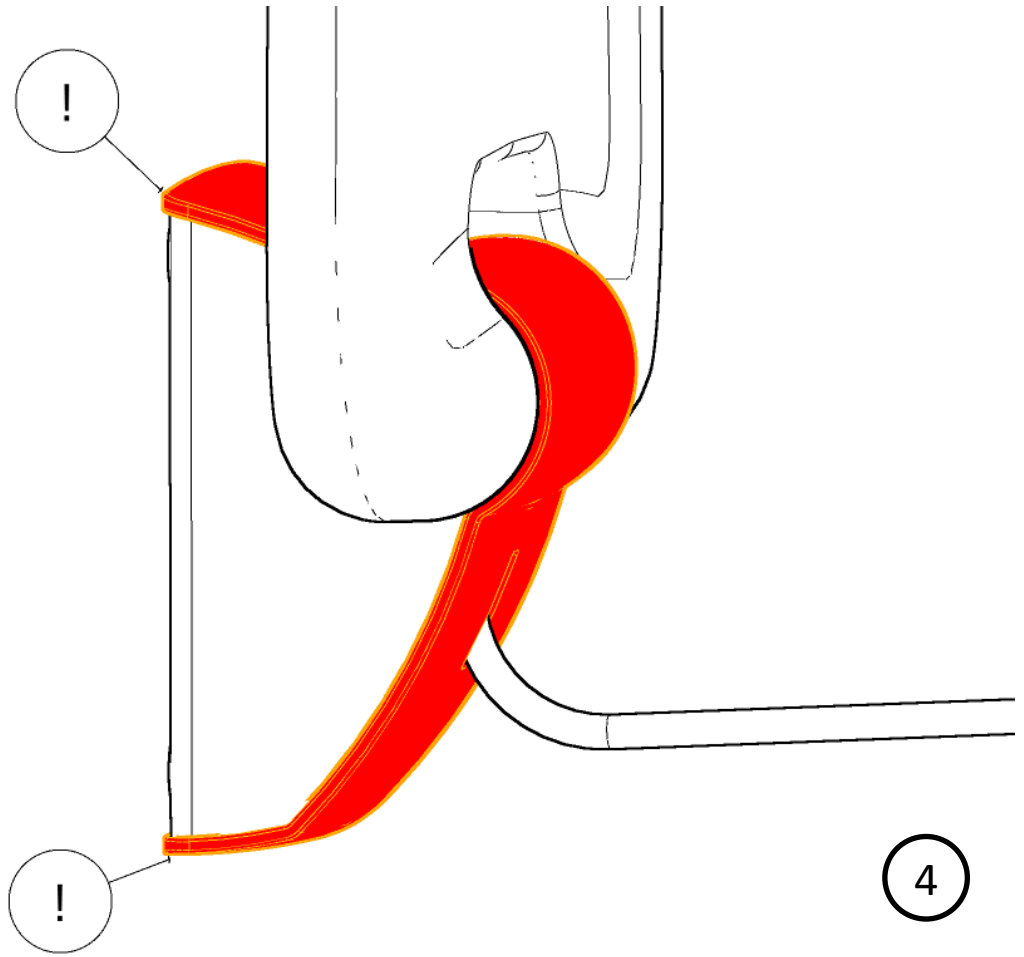
1

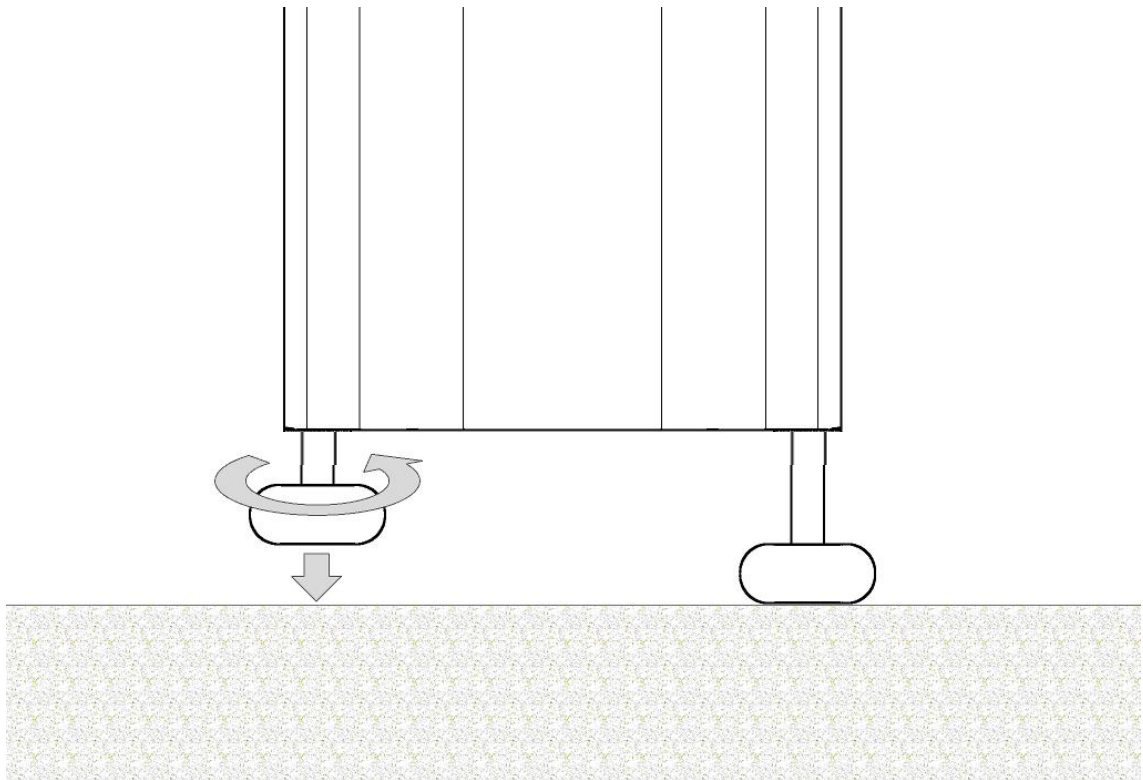
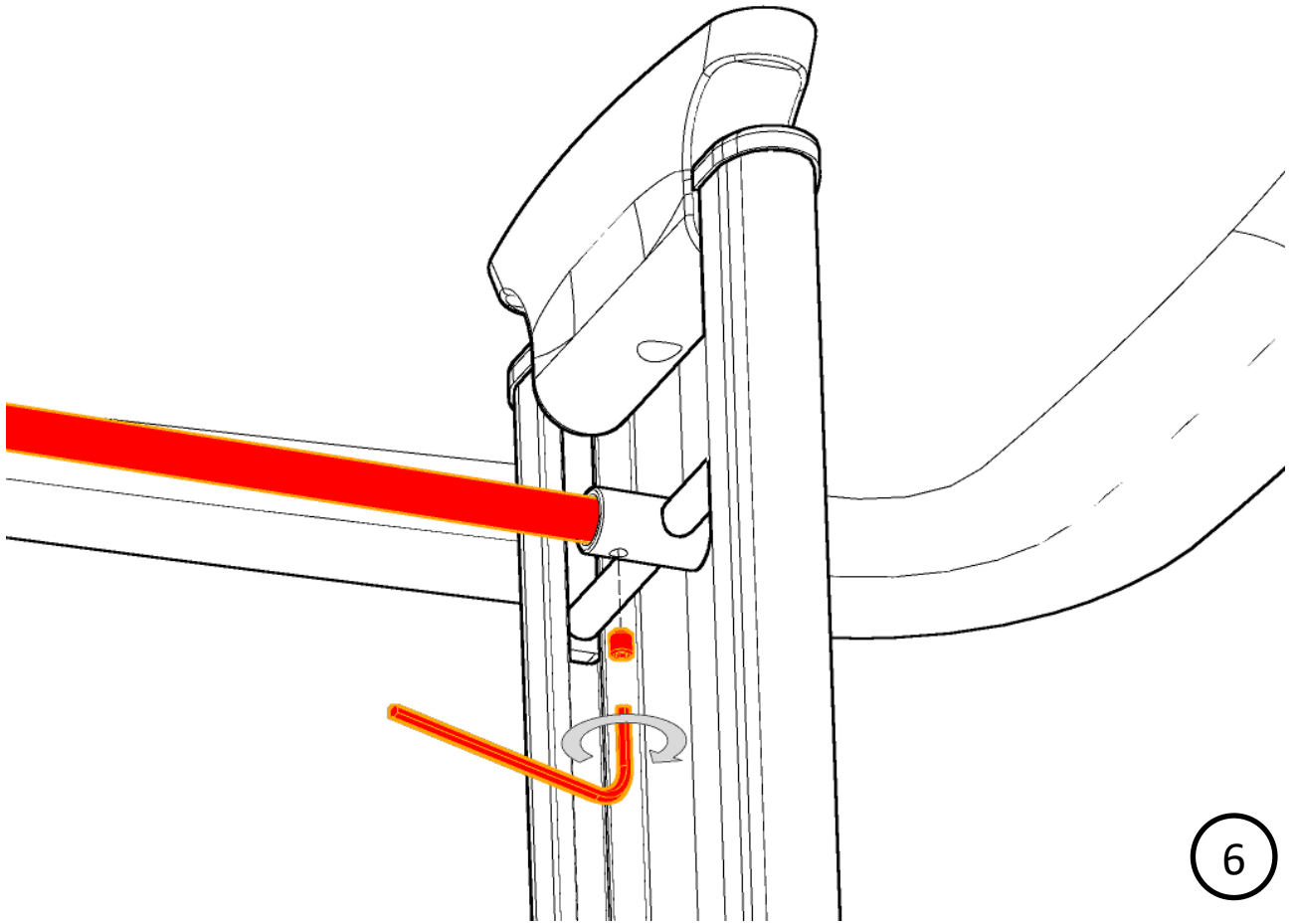


2



3





7

# User instructions

---

## Folding away after use

The Ropox Folding Shower Seat has a built-in spring mechanism to make it really easy to fold the seat away by the wall after use.

The seat is also designed to hold itself up, but is at the same time easy to fold down again.

## Safety in use

**For optimal use of the folding seat's functions and to avoid accidents, it is important to act in accordance with these basic recommendations.**

- Take care to ensure that the feet are adjusted correctly, so that they both rest on the floor when the seat is folded down. Take special care if the floor is uneven or if there is a grille or similar by the feet.
- Avoid bumping into the leg when it is down (e.g. with the footrest of a wheelchair). If the leg is destroyed, the maximum load will be reduced significantly.
- Make sure that the wall to which the seat is attached can support the version without a leg. If not, either choose the version with a leg or reinforce the wall.
- Be aware that the seat can become slippery when it is wet and when soap is used.
- As far as possible, avoid sitting on the plastic cover of the wall bracket.
- Make sure that there is nothing under the seat when it is unfolded, as this might damage the leg.
- Make sure that all installation screws in the wall are fitted correctly and are not placed in a joint. This will weaken the seat's load-bearing capacity.

# Maintenance

---

The Ropox Folding Shower Seat is maintenance-free. For safety reasons, however, we do recommend regular inspection of all installation screws and moving parts in order to make sure that the wall mounting is in order and safe.

## Cleaning

Do not use a high pressure cleaner to clean this product.

Lime deposits are removed with household cleaning agent for bathrooms.

Always clean the shower tray after use to prevent dirt from sticking to the surfaces.

### important:

Do not use abrasive powders or other abrasives as they will scratch the surfaces. Do not use pointy or sharp cleaning remedies.

## Chemical resistance

Cleaning agents containing the following chemicals must not be used in cleaning

Acetone
Ammonium carbonate
Ethyl acetate
Formic acid
Hydrochlorid acid
Isopropanol
Methyl acetate
Nitric acid
Phosphoric acid

Avoid contact with **iodine** as this can discolour the seat.



## Chemical Resistance of PUR (Polyurethane)

Substance	Concentration (%)	Classification of requirement	Substance	Concentration (%)	Classification of requirement
Aceton		○	Magnesium chloride	30	●
Alums		○	Methanol	< 5	○
Aluminium chloride	10	●	Mythyl acetate		○
Formic acid	30	○	Mythyl chloride		○
Ammonia	10	●	Methylethylketon		○
Ammonium carbonate		○	Mythylglycol		○
Ammonium chloride		●	Mythylglycolacetate		○
Aniline		○	Lactic acid	10	○
ASTM-Oil I		●	Mineral oil		○*
ASTM-Oil II		●	Motor oil		○
ASTM-Oil III		●	Sodium chloride	10	●
ASTM-Fuel No. I		●	Sodium perchlorate solut.		●
ASTM-Fuel No. II		○	Soda lye	10	●
ASTM-Fuel No. III		○	Olive oil		●
Benzene		○	Ozone		●
Brake fluid ATE		○	Paraffin oil		●
Butanol		○	Perchlore ethylene		○
Butyl acetate		○	Petroleum ether		●
Calcium chloride	40	●	Petroleum		●
Chlorobenzene		○	Vegetable oils		●
Chloroform		○	Vegetable fats		●
Chloroprene		○	Phosphoric acid	50	○
Chromic acid		○	Nitric acid	30	○
Cyclohexan		○	Hydrochlorid acid, concen.		○
Cyclohexanon		○	Cutting oil		○*
Diethylether		●	Carbon disulfide		○
Diethylprestone		●	Sulfuric acid	30	●
Diesel oil		●	Sea water		●
Dimethylformamide		○	Silver salts	20	●
Ferric-III-chloride	10	●	Tetrachloroethylene		○
Acetic acid 20-80	10	○	Carbon tetrachloride	100	○
Ethanol	100	○	Tetrahydrofuran		○
Ethyl ether		○	Toluene		○
Ethylacetate		○	Trichlorethylene		○
Ethylencchloride		●	Tataric acid	< 10	●
Freon 12		○	Xylon		○
Freon 22		○			
Hydraulic oil SAE 90		○*			
Glycerin		●			
Glycol		●			
Isopropanol		○			
Potash lye	10	●			
Bichromate of potash		●			
Potassium nitrate		○			
Potassium permanganate		○			
Kerosene		●			

resistant	●
vastly resistant	●
conditionally resistant	○
not resistant	○

\*for individual case, please verify

The information mentioned in this summary is given to the best of our own knowledge and based upon our long standing experience. But we would like to direct your attention to the fact, that the information is given without obligation. A final judgement can only be made in practice.

## Troubleshooting

<b>Faults</b>	<b>Possible solutions</b>
The seat cannot maintain an upright position	The internal spring might be defective; if so, contact Ropox for a new part.
The seat is unusually heavy to lift	Detach the plastic cover by the wall bracket. <ul style="list-style-type: none"><li>• If the springs have come loose, put the springs into position while the seat is in an upright position.</li><li>• If one or both springs is/are defective, contact Ropox for new parts.</li></ul>
The seat cannot be fully folded down and does not rest in a horizontal position.	NOTE: only valid for version with a leg: <ul style="list-style-type: none"><li>• Set the feet to the correct height</li><li>• Alternatively, the seat might have been installed too low (see installation instructions for the minimum position for wall installation).</li></ul>

## Waste management



Used equipment must be disposed of in accordance with national legislation. We recommend that the product be dismantled as far as possible so that as much as possible can be reused. Examples of groups into which this product can be sorted: Metal (aluminium and steel separately), plastic and parts for destruction.

## Factors that affect the product's functionality



Ambient temperature range: -5 °C to +40 °C Transport and storage  
+5 °C to +40 °C Operation










Relative humidity: 5% to 85%, non-condensing

# Marking

## Labels

Every Ropox Shower Seat has its own label as shown below. This label contains important information, which must be quoted when contacting the supplier. Below are the versions with and without a leg respectively.





	<p>This product is CE-marked in accordance with:</p> <p>European Medical Device Directive 93/42/EEC, including amendments incorporated in Directive 2007/47/EEC.</p> <p>European Medical Device Regulation (EU)2017/745</p> <p>Council Directive 2006/42/EC on machinery</p> <p>Council Directive 2011/65/EU, RoHS</p>
	<p>Manufacturer name and address</p>
	<p>Date of production</p>
	<p>Stock number</p>
	<p>Serial number</p>
	<p>Consult manual before use</p>
	<p>Consult manual for important safety related information, warnings and safety precautions.</p>
	<p>Do not dispose as unsorted municipal waste. Product must be returned to a designated recycling station.</p>
	<p>Operating and storing temperatures may not exceed 5-40°C°</p>

# Spare parts

---

## Current spare parts

40-40018-013	Feet	
40-43010-233	Plastic cover for 40-43016	
40-43010-289	Plastic cover for 40-43011	
40-43017-2	PUR seat	
40-43010-176	Leaf spring	
40-43010-216	Relief spring	

# Complaints

---

All inquiries concerning complaints must be directed to the distributor representing Ropox on the market in question.

Cf. Ropox General Terms of Sale and Delivery.



**Ropox A/S**

Ringstedgade 221

DK – 4700 Naestved

Tel.: +45 55 75 05 00 Fax.: +45 55 78 05 50

E-mail: [info@ropox.dk](mailto:info@ropox.dk)

[www.ropox.dk](http://www.ropox.dk)