



# Ropox AdaptLine Manual

User Manual and Mounting Instructions

This manual must always accompany the product

# Contents

---

<b>CONTENTS</b> .....	<b>2</b>
<b>USER MANUAL</b> .....	<b>3</b>
GENERAL PRODUCT INFORMATION.....	3
DIMENSION DRAWINGS.....	5
USE.....	7
SAFE USE.....	8
CLEANING .....	8
<b>MOUNTING INSTRUCTIONS</b> .....	<b>9</b>
INSTALLATION INFORMATION .....	9
LIST OF COMPONENTS .....	11
MOUNTING INSTRUCTIONS .....	12
<b>SERVICE INFORMATION</b> .....	<b>15</b>
MAINTENANCE.....	15
PERFORMANCE TEST .....	15
<b>MARKING</b> .....	<b>16</b>
<b>SPARE PARTS</b> .....	<b>17</b>
<b>COMPLAINTS</b> .....	<b>19</b>

## General product information

Ropox AdaptLine Manual is a small height adjustable system for a washbasin. It can be height adjusted 20 cm, and the minimalistic design offers wheelchair users optimal legroom towards the wall. Ropox AdaptLine Unit comes as a height adjustable unit where most standard bolt mounted washbasins can be mounted. Ropox AdaptLine is also available as a complete all-inclusive model (washbasin, mixer tap, and plumbing kit).

## Technical data

### Product name:

**Ropox AdaptLine**

### Item no.:

Ropox AdaptLine Unit Manual 40-42110

Ropox AdaptLine Washbasin  
Complete Manual 60cm standard 40-42010



Ropox AdaptLine Washbasin  
Complete Manual 60cm straight support 40-42011



Ropox AdaptLine Washbasin  
Complete Manual 64cm hospital 40-42012



### Accessories:

Flexible handle

40-42170



Plumbing kit for unit  
40-42110

40-25731

### Height adjustment:

20 cm

### Washbasins – type and size

40-42110: Any washbasin with a bolt distance of 280-310mm  
40-42010: Standard 60x42cm  
40-42011: Straight support 60x59cm  
40-42012: Hospital 64x55cm

### Mixer tap:

Oras Saga mixer tap, a one-grip mixer tap allowing presetting of temperature.  
Alternative mixer taps are available as well, please contact Ropox for further information

### Material, washbasin:

40-42010: Porcelain  
40-42011: Synthetic/marble composite, with gel coat surface  
40-42012: Porcelain

### Material, frame:

Welded steel tubes and sheet St. 37  
Aluminium alloy 6060-T6  
Various plastic components

<b>Surface treatment:</b>	Powder coating, RAL 9010, matte white, chromite
<b>Max. load:</b>	Tested in accordance with DS/ISO 17966:2016 with the following max. user weights: 40-42010: 165kg 40-42011: 165kg 40-42012: 120kg 40-42110: 200kg
<b>Product weight:</b>	40-42110: 5,5kg 40-42010: 17,5kg 40-42011: 19,5kg 40-42012: 22kg
<b>Ambient temperature range:</b>	-5 °C to +40 °C Transport and storage +5 °C to 40 °C Operation
<b>Air humidity:</b>	20-85 % (non-condensing)
<b>Complaints:</b>	See Complaints page 18
<b>Manufacturer:</b>	Ropox A/S, DK-4700 Næstved, Tel.: +45 55 75 05 00 Email: <a href="mailto:info@ropox.dk">info@ropox.dk</a> , <a href="http://www.ropox.dk">www.ropox.dk</a>



This product has CE marking and is tested in accordance with the European standards regarding assistive products for disabled, DS/EN 12182 and DS/ISO 17966. The model is manufactured in accordance with the current requirements of Directive No. 93/42/EEC concerning medical devices and belongs to the lowest risk class 1.



This document MUST always accompany the product and be read by and be available to the user.

To ensure that this product is used, operated, and inspected correctly, please read this manual carefully. It is important that you have read and understood the instructions before using the product in order to achieve an effective and safe functionality.

The manual must always be stored in a place where it is easily accessible to the user. The manual must follow the product at all times.

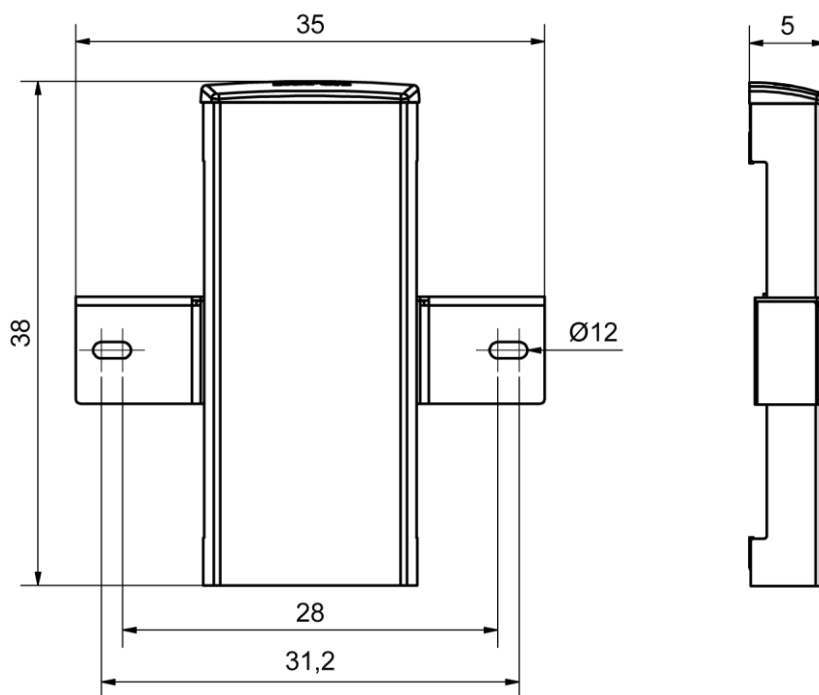
### Intended use

The AdaptLine washbasins are available with manual height adjustment to better the use for wheelchair users and walking impaired patient. Height adjustment is done with the small crank. The height adjustment range is 20 cm.

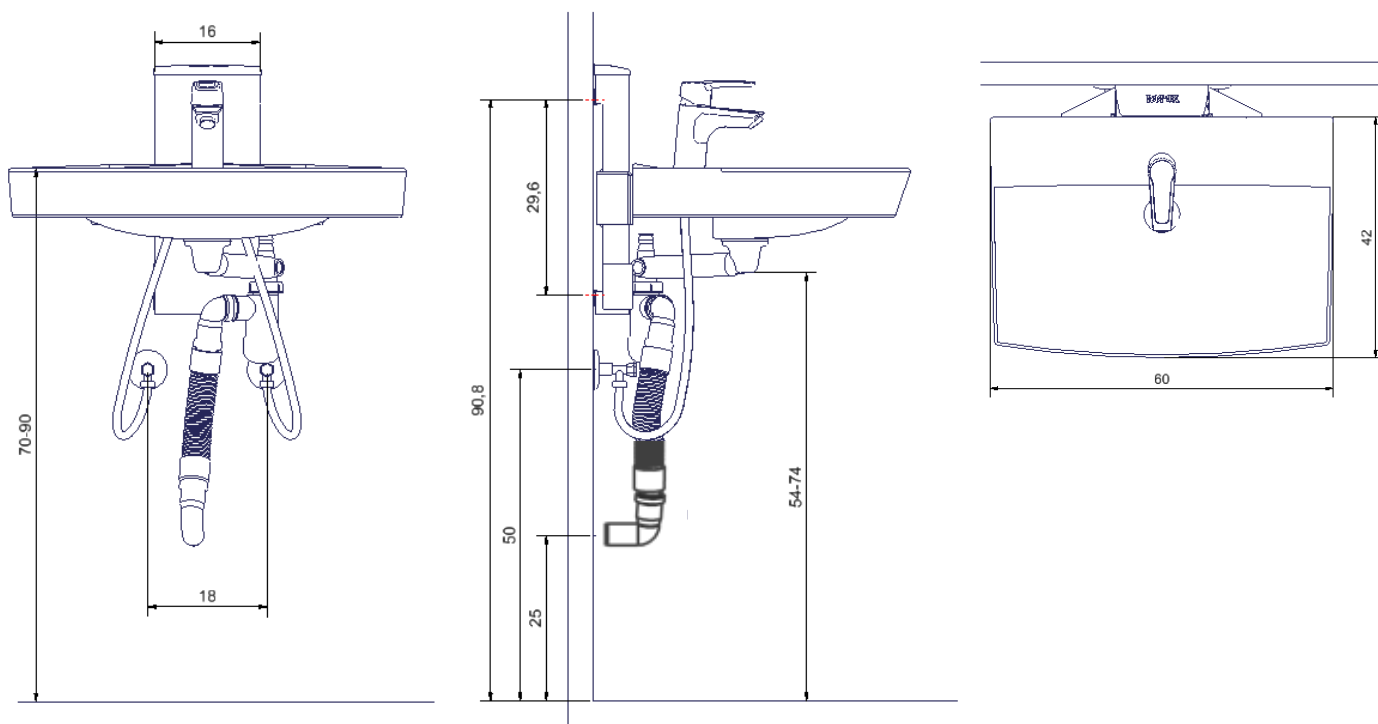
# User manual

## Dimension drawings

40-42110



40-42010

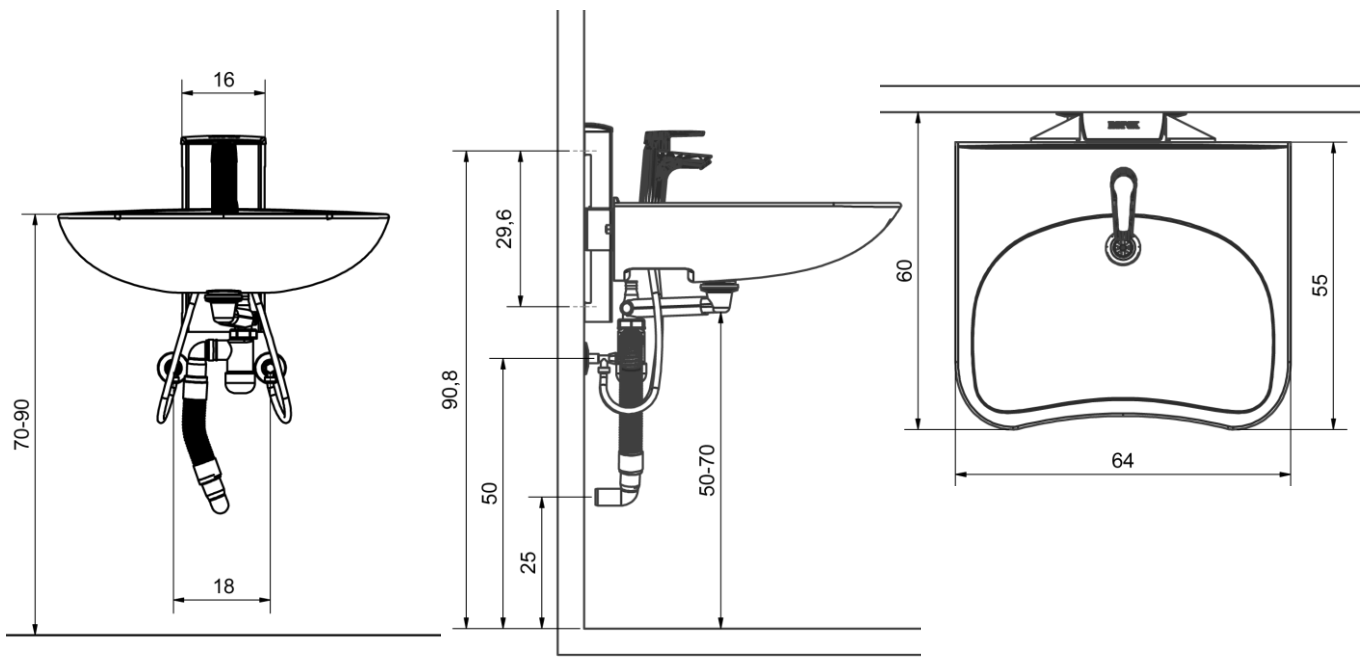
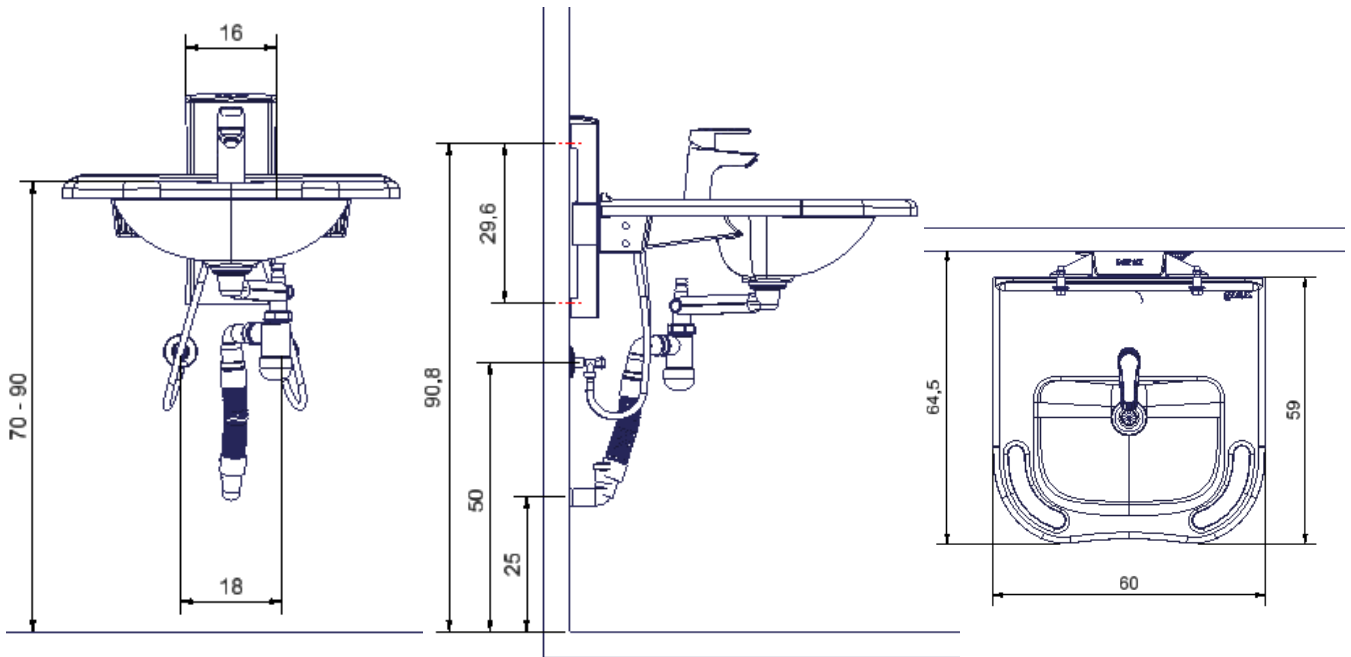


NB: All dimensions are in cm

# User manual

## Dimension drawings

40-42011



NB: All dimensions are in cm

# User manual

---

## Use

### Height adjustment:

The washbasin height can be adjusted by means of the flexible handle. The grey top cover must be dismantled first, however.

Then mount the flexible handle on the hexagonal shaft. Subsequently, the washbasin height is adjusted by turning the handle.



## Safe use

- Ropox AdaptLine may only be used by persons who have read and understood these instructions.
- Always use the product in a manner excluding the risk of damage to persons or property. The person operating the Ropox AdaptLine is responsible for avoiding damage or injury.
- Any modification which may influence the performance or construction of the product is not allowed.
- Installation, service, and repairs may only be carried out by qualified personnel.
- During inspection, service, or repairs any load must be removed from the unit.

## Cleaning

During use, the product may get dirty. It is very important to clean the unit as described in these instructions.

### Cleaning of unit

Ropox AdaptLine may be wiped with a wrung cloth with lukewarm water and a mild detergent. Do not use corrosive/grinding fluids or scouring sponges.

Disinfection may be done with household disinfectants.

### Cleaning of washbasins

Wash the surfaces daily with water and wipe off with a dry cloth. Do not use detergents containing hard abrasives – e.g. steel wool, scouring powder, or sulphuric acid.

If the water has a high calcium content, calcareous deposits will often occur in the washbasin. These deposits should be removed at least once a week by using a detergent containing citric acid, acetic acid, or phosphoric acid. Leave the detergent to work for 5-10 minutes depending on the thickness of the deposits and clean thoroughly with a soft sponge.

Disinfection of the washbasin may be done with household disinfectants.



# Mounting instructions

## Installation information

### CONSTRUCTION

The wall must be of a suitable material for screws and approved for wet rooms.

The grey-shaded area states the minimum area for reinforcement of the wall.

Load tested in accordance with DS/ISO 17966:2016, the max. user weight is:

40-42010: 165kg

40-42011: 165kg

40-42012: 120kg

40-42110: 200kg

### Max. tensile load of top screws

40-42110: 50kg

40-42010: 50kg

40-42011: 50kg

40-42012: 50kg

### Plumbing

The drain is  $\varnothing 32$ .

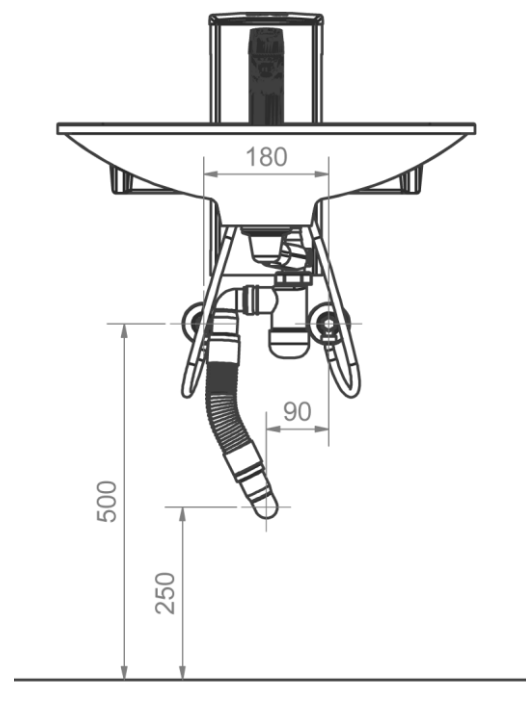
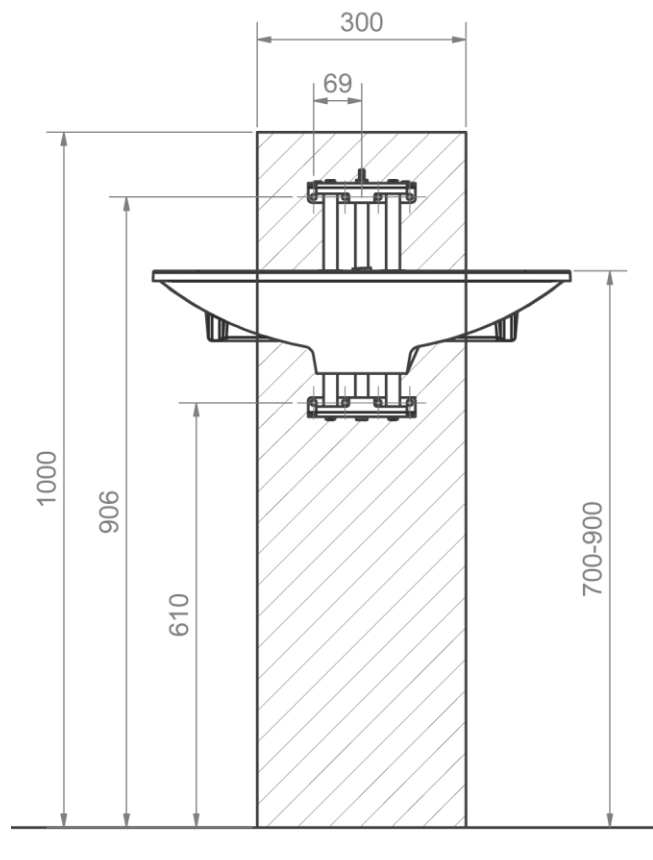
The water supply ends with 2 (two) 90° stop valves with 1/2" outside thread pointing downward.

All hoses for water and drain installations must be flexible to ensure free and unhindered adjustments within the height adjustment range of 70-90 cm (the upper side of the washbasin).

For the purchase of adapters for connection to various standard installations, see the section "Connection adapters"

### NOTE:

All dimensions are based on a washbasin height of 700-900mm above floor level. If a change of this height is required, the recommended dimensions must be changed accordingly.









# Mounting instructions





## Connection adapters

The below components illustrated in blue are available depending on the type of installation in the building.







### Water connection adapters

Hoses from washbasin	Adapter	Installation in room (not included)
 1/2"	No adapter needed	 1/2" Thread
	 1/2" -> 3/8" Item no. 97001670	 3/8" Thread
	 1/2" -> 15mm Item no. 97001666	 15mm Pipe


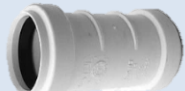


### Water hose extensions

Hose from washbasin	Coupling piece	Extra hose
	 1/2" -> 1/2" Item no. 97001669	 1/2" x 1/2", 05m, steel Item no. 97001123
		 1/2" x 1/2", 1m, plastic Item no. 97001120

### Drain adapters

Drain from washbasin	Adapter	Installation in room (not included)
 Ø32	No adapter needed	 Ø32
	 Ø32 -> Ø40 Item no. 97001660	 Ø40
	 Ø32 -> Ø50 Item no. 97001661	 Ø50

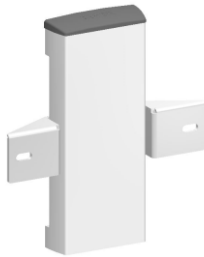
### Drain extensions

Drain hose from washbasin	Coupler	Extra drain hose
 Ø32	 Ø32-Ø32 Item no. 97001062	 Ø32 Flex hose, 27-62cm Item no. 97001162
		 Ø32 Flex hose, 40-110cm Item no. 97001161

# Mounting instructions

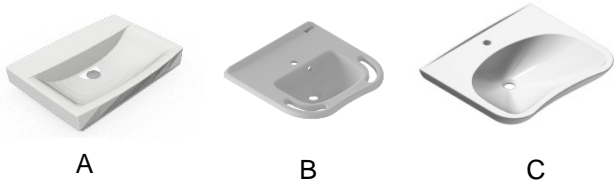
## List of components

**1 (one) height adjustment unit**  
40-42110



## List of components for Complete models 40-42010, 40-42011, and 40-42012

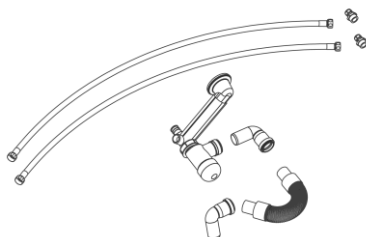
**1 (one) washbasin**  
40-42010 (A), 40-42011 (B), 40-42012 (C)



**1 mixer tap**  
Oras Saga 3910F



**1 (one) plumbing kit**  
1 (one) 97001601 Siphon  
1 (one) 97001162 Flexible drain hose  $\varnothing 32$   
2 (two) 97001035 Drain elbow 88,5°  
2 (two) 97001012 Nipple 1/2" to 3/8"  
2 (two) 97001123 Connecting hose 1/2" 0.5m



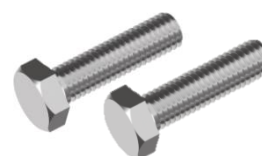
**1 (one) kit of mounting parts for bolt mounted washbasin**



**1 (one) replacement screw for drain**  
 $\varnothing 4.8 \times 70$  A2 (only for 40-42010)



**2 (two) bolts**  
M12x65

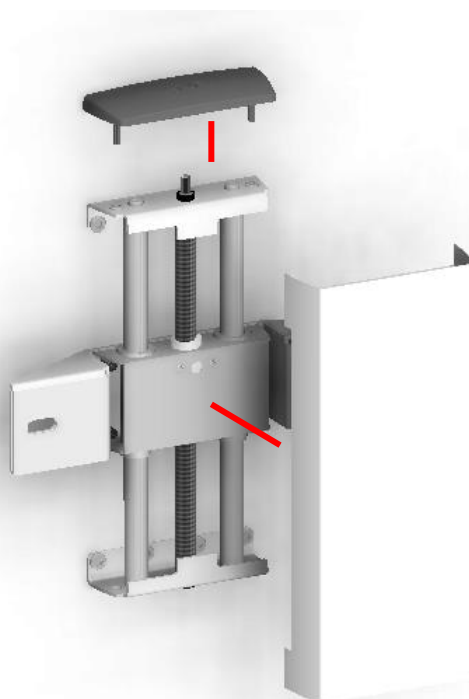
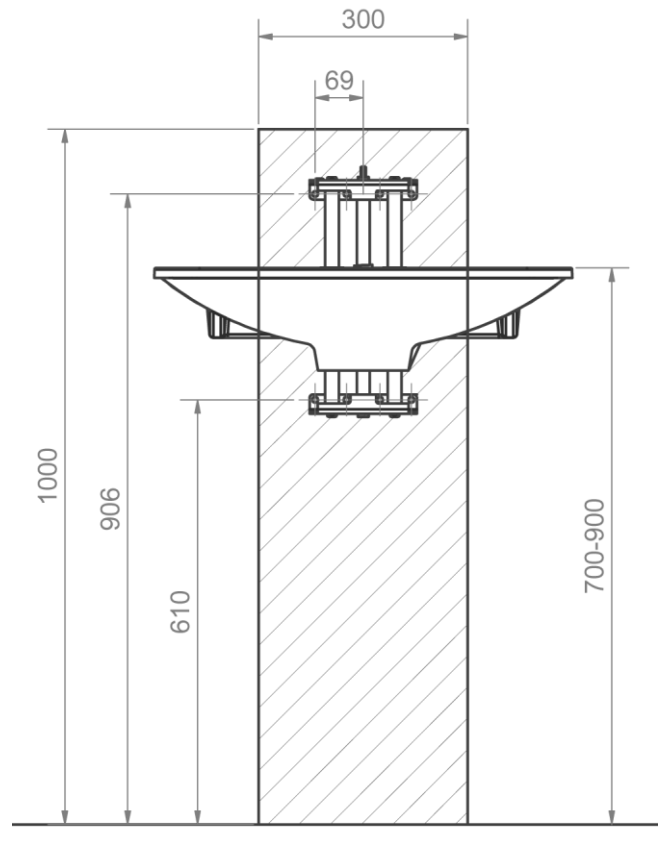
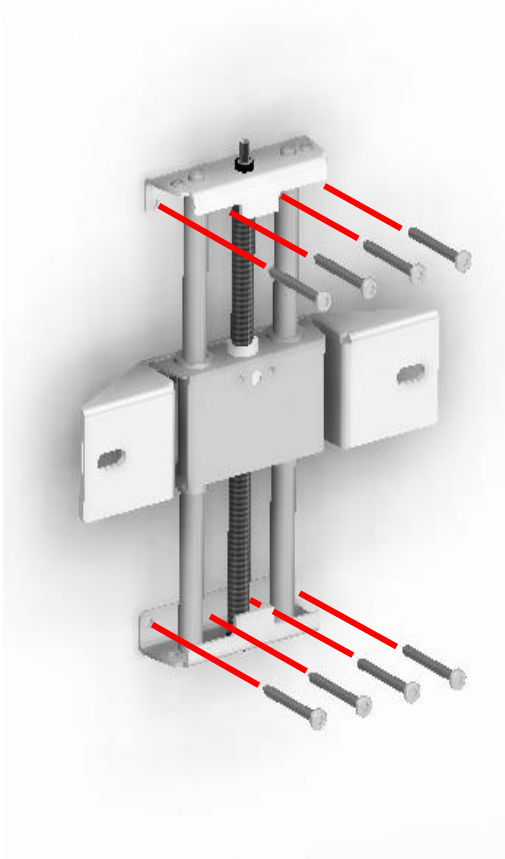


# Mounting instructions

---

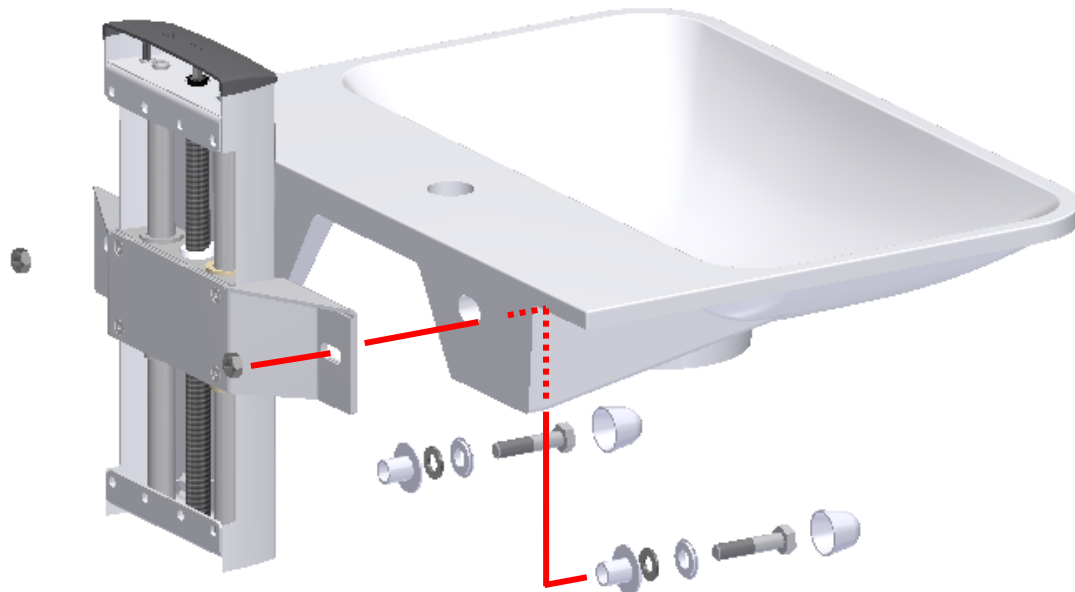
## Mounting instructions

Prior to the installation, please make sure that all parts have been provided in accordance with the list of components.



# Mounting instructions

---

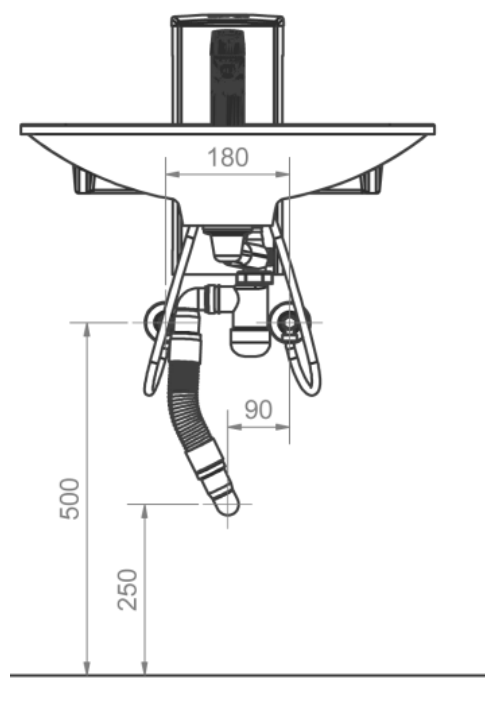
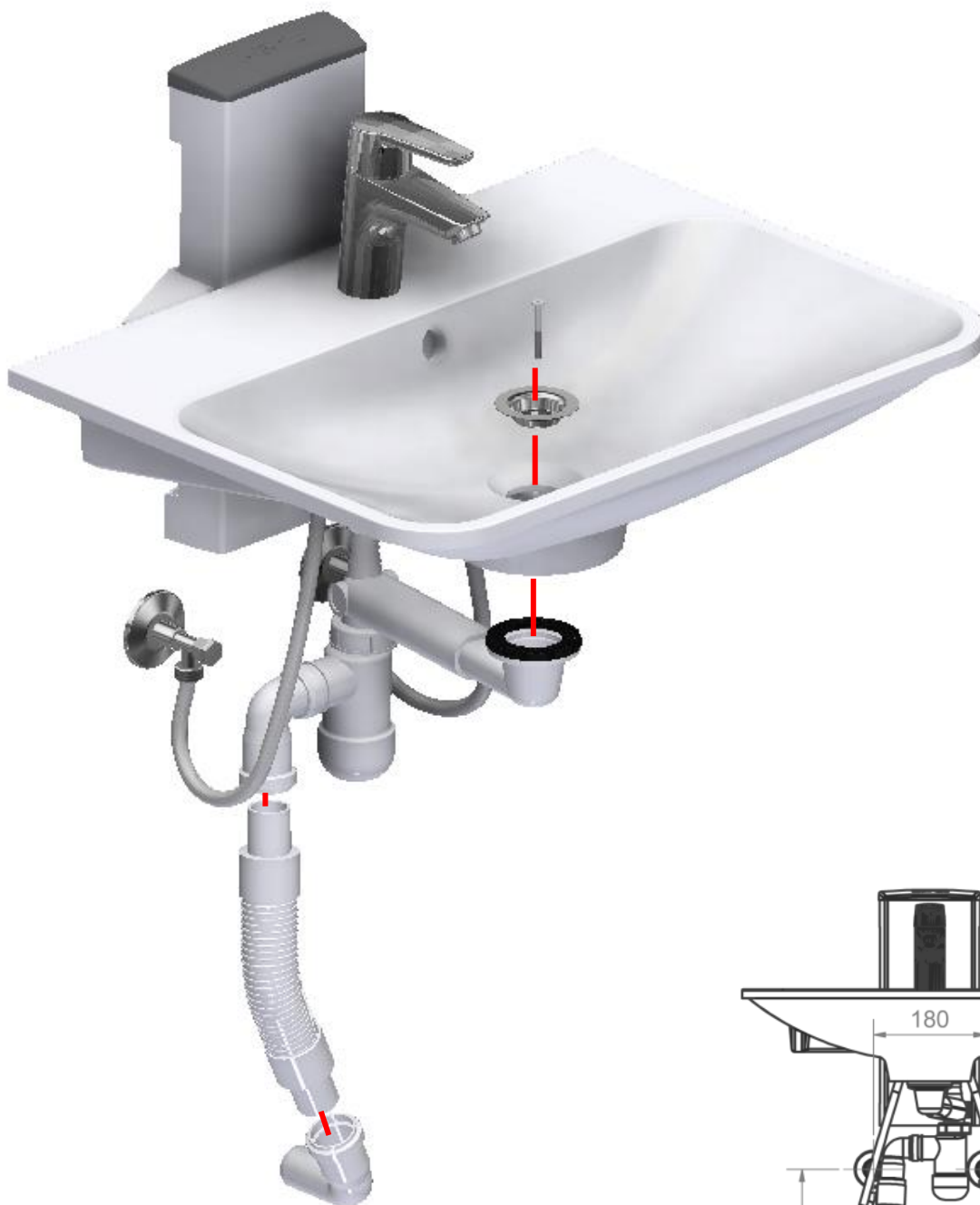


NOTE: When mounting a porcelain wash basin an insulation foam pad **MUST** to be placed between the wash basin and the unit.



# Mounting instructions

---



# Service information

---

## Maintenance



Inspections, service, and repairs must be carried out by qualified personnel

Ropox AdaptLine is maintenance-free. Moving parts have been lubricated for life. For reasons of safety and reliability, we recommend a performance test once a year.

## Performance test

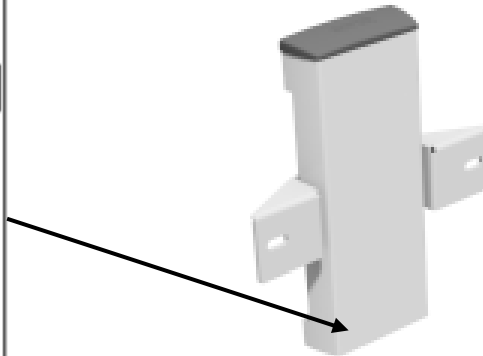
### After one month










Check:      Mounting of bolts and screws  
                 That Ropox AdaptLine moves unhindered within its height adjustment range.

# Marking

## Labels

Every Ropox AdaptLine has its own label as shown below. This label contains important information, which must be quoted when contacting the supplier.

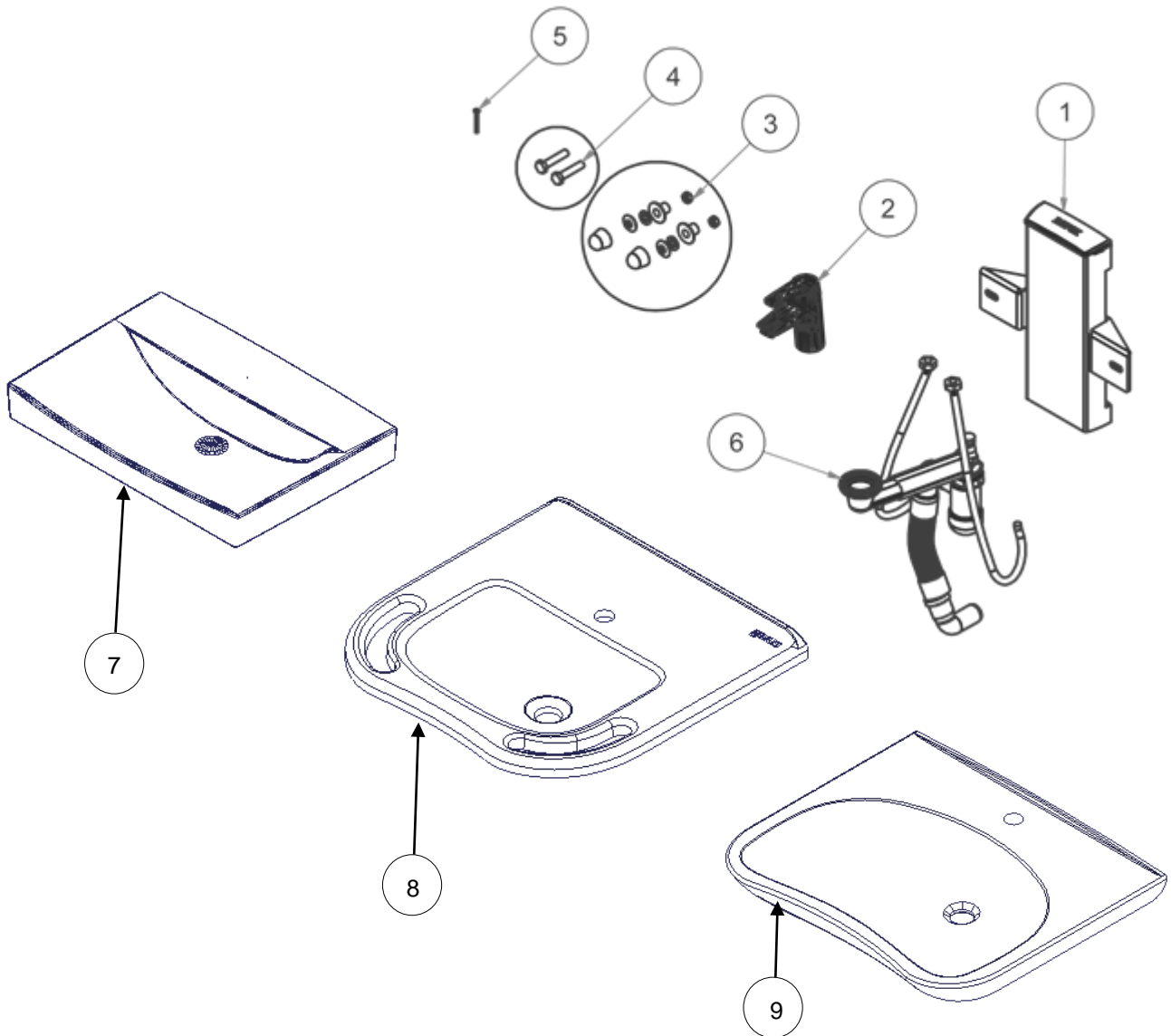


	<p>This product is CE-marked in accordance with:</p> <p>European Medical Device Directive 93/42/EEC, including amendments incorporated in Directive 2007/47/EEC.</p> <p>European Medical Device Regulation (EU)2017/745</p> <p>Council Directive 2006/42/EC on machinery</p> <p>Council Directive 2011/65/EU, RoHS</p>
	<p>Manufacturer name and address</p>
	<p>Date of production</p>
	<p>Stock number</p>
	<p>Serial number</p>
	<p>Consult manual before use</p>
	<p>Consult manual for important safety related information, warnings and safety precautions.</p>
	<p>Do not dispose as unsorted municipal waste. Product must be returned to a designated recycling station.</p>
	<p>Operating and storing temperatures may not exceed 5-40C°</p>



# Spare parts

For 40-42110-2, 40-42010-2, 40-42011-2 og 40-42012-2



#	Description	In product	Item no.
1	Ropox AdaptLine Unit Manual	1	40-42110-1
2	Mixer tap Oras Saga 3910F	1	97001706
3	Mounting parts for bolt mounted washbasin	1	97001467
4	Bolt M12x65	2	95041265
5	Stainless screw $\varnothing$ 4.8x70 (only for 40-42010-2)	1	95091070
6	Plumbing kit for AdaptLine unit	1	40-25731-1
7	60cm washbasin (only for 40-42010-2)	1	97001578
8	60cm straight support washbasin (only for 40-42011-2)	1	97001582
9	64cm hospital washbasin (only for 40-42012-2)	1	97001576



# Complaints

---

See our general terms of sale and delivery on [www.ropox.dk](http://www.ropox.dk)



**ROPOX A/S**

Ringstedgade 221

DK – 4700 Næstved

Tel.: +45 55 75 05 00 Fax.: +45 55 75 05 50

E-mail: [info@ropox.dk](mailto:info@ropox.dk)

[www.ropox.dk](http://www.ropox.dk)