



# Ropox Support Washbasin Complete Electric USER MANUAL MOUNTING INSTRUCTION

Keep this manual with the product at all times

1.	<b>INTRODUCTION</b> .....	3
2.	<b>COMPLIANCE WITH EU-DIRECTIVES</b> .....	3
3.	<b>APPLICATION</b> .....	3
	3.1 <i>Operation</i> .....	4
4.	<b>TECHNICAL DATA</b> .....	5
5.	<b>DIMENSION SKETCHES</b> .....	6
6.	<b>INSTALLATION INTERFACES</b> .....	7
	6.1 <i>Connection adapters</i> .....	9
7.	<b>MOUNTING INSTRUCTION</b> .....	10
	7.1 <i>Support Washbasin Electric, left</i> .....	10
	7.2 <i>Support Washbasin Electric, right</i> .....	24
8.	<b>LIST OF COMPONENTS</b> .....	38
9.	<b>OPTIONS</b> .....	41
10.	<b>PERFORMANCE TEST</b> .....	42
11.	<b>POSITIONING OF CONTROL SWITCH</b> .....	43
12.	<b>SAFETY INSTRUCTIONS</b> .....	44
13.	<b>CLEANING</b> .....	44
	13.1 <i>Cleaning, frame</i> .....	44
	13.2 <i>Cleaning, washbasin</i> .....	44
	13.3 <i>Maintenance</i> .....	45
	13.4 <i>Service schedule, operation and maintenance</i> .....	46
14.	<b>FAULT FINDING</b> .....	47
15.	<b>MARKING</b> .....	48
16.	<b>SPARE PARTS</b> .....	49
17.	<b>COMPLAINTS</b> .....	50



It is important to read this manual prior to mounting and use

## 1. Introduction

Owing to the unique design, Ropox Support Washbasin Electric provides additional support and easy access to the washbasin for wheelchair users and walking impaired persons. The electrical height adjustment facilitates frequent adjustment of the washbasin to suit several users. The height adjustment range is 25cm.

The ample space for knees and legs makes the washbasin ideal for wheelchair users, who obtain optimum mobility and a perfect working position. The integrated grab handles facilitate access and owing to the unique design, the user may get very close to the washbasin.



This document must ALWAYS be kept with the product and have been read and understood by the user.

The users of the product must follow these instructions. It is imperative that the instructions have been read and understood before operation of the product.

The instructions should always be available to the user and accompany the product in the case of relocation.

The correct use, operation and inspection are decisive factors for efficient and safe performance.



If this product is electrically adjustable in height there is a risk of squeezing. The product must therefore always be operated by or under the guidance of an experienced adult, who has read and understood the importance of section 12 "Safety in use".

## 2. Compliance with EU-directives

This product has CE marking and therefore meets the basic requirements concerning performance and safety of the current Machinery Directive. All types of the Ropox Support Washbasin are made in accordance with the relevant requirements of the Medical Devices Directive No. 93/42/EEC and are all in the lowest risk class 1.

## 3. Application

The VanityLine washbasin is adjustable in height in order to obtain optimum working height for user and helper. Do NOT use Ropox Support Washbasin as a lifting table or person lifter.

The product should be used indoor, at temperatures and humidity as described in section 4



The control unit complies with IP66 and must always be installed in accordance with the national Heavy Current Regulations or corresponding national or international standards.

### 3.1 Operation

Press upwards symbol to raise/lift washbasin and to lower press downwards symbol  
The washbasin stops as soon as control button is released.

#### **Height adjustment using handheld control switch with spiral cable (standard)**



#### **Fixed control switch (option)**



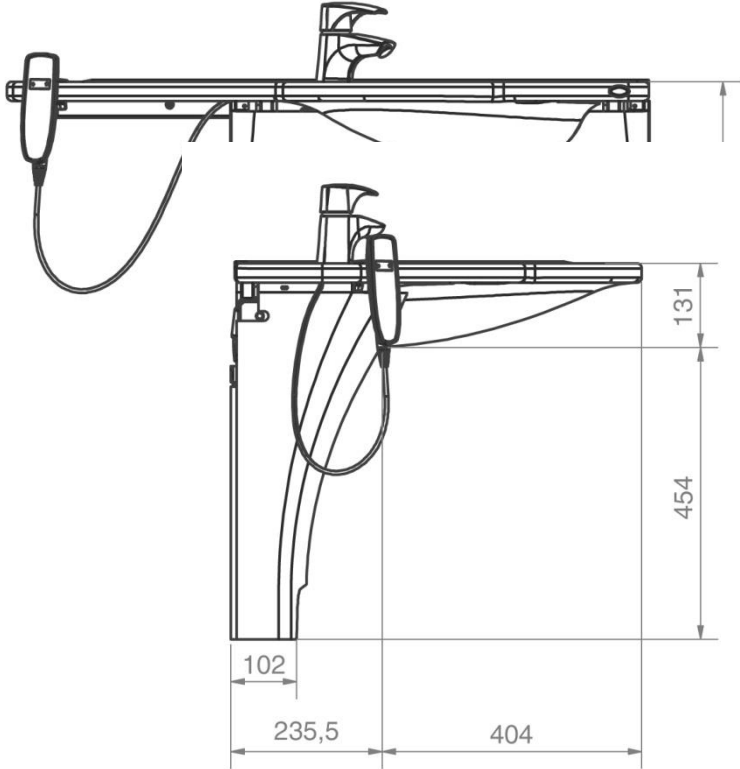
## 4. Technical data

<b>Product name:</b>	Ropox Support Washbasin Complete Electric
<b>Item numbers:</b>	40-44006      Left 40-44007      Right
<b>Height adjustment:</b>	25 cm (71-96cm)
<b>Power supply:</b>	230V, 50Hz, max. 2.0A
<b>Duty cycle:</b>	Max. 10% = 2 min. operation/18 min. pause
<b>IP-protection:</b>	All electrical components have IPX6 protection
<b>Materials:</b>	Pedestal:              Welded steel tube St. 37 Aluminium alloy 606045-T6 Various plastic components Washbasin:            Synthetic/composite marble Cover plate:            Vacuum-shaped ABS
<b>Mixer tap:</b>	Oras Saga, mixer tap with temperature pre-setting facility. Alternative mixer taps available. Contact Ropox for more information.
<b>Surface treatment:</b>	Powder coating RAL 9010 mat white, chromite, gel coat
<b>Max. load:</b>	Tested in accordance with DS/ISO 17966:2016, max user weight is 520kg/1145lb
<b>Own weight:</b>	38 kg
<b>Ambient temperature range:</b>	-5 °C to +40 °C Transport and storage +5 °C to +40 °C Operation
<b>Relative humidity:</b>	20% to 80% - non condensing
<b>Complaints:</b>	See complaints page 51
<b>Manufacturer:</b>	Ropox A/S DK-4700 Næstved, Tel. +45 55 75 05 00 E-mail: <a href="mailto:info@ropox.dk">info@ropox.dk</a>

### Intended use

The support washbasin is especially suitable for walking-impaired because you can use the integrated, ergonomic grab rails as support and as help when getting up or sitting down. The washbasin is available with fixed height and with height adjustment. It is possible to choose between manual or electrical height adjustment. This makes it able to suit the individual user who will be using the washbasin.

5. Dimension sketches



## 6. Installation interfaces

### Construction

The wall must be made of material suitable for screwing and approved for damp rooms. Tested in accordance with DS/ISO 17966:2016, max user weight is 520kg/1145lb  
Max. load of upper screws: 71kg/screw.  
Minimum areas for reinforcement of wall are the hatched areas.

### Power

Recommended positioning of power supply point in wall for optimum and hidden wiring. In case of alternative location, the cable of the control unit has a length of 3.2m.

### Water

The drain is  $\varnothing 32$  and ends with an  $\varnothing 32 \times 88.5^\circ$  drain elbow.  
Connection of drain and elbow should not protrude more than 90mm from the wall owing to the cover plates.

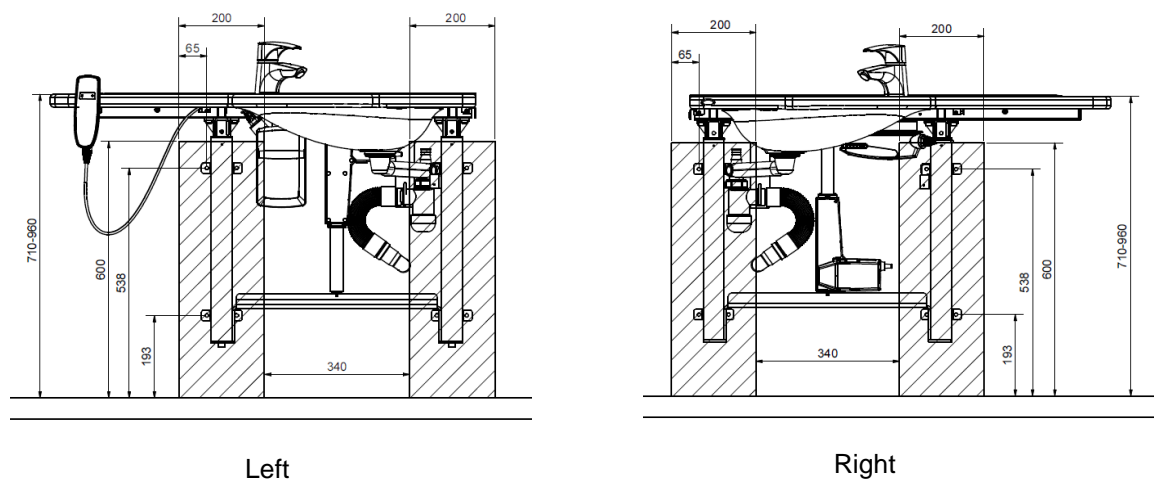
The water supply ends with two  $90^\circ$  stop valves with  $\frac{1}{2}$ " outside thread. Location and optimum orientation as illustrated.

The stop valves should not protrude more than 90mm from the wall owing to the cover plates.

We recommend positioning of water and drain installations as illustrated. All hoses for water and drain installations must be flexible to ensure unhindered movement within the height adjustment range of 71-96 cm (including washbasin).

If another location of water supply and drain is required, the Support Washbasin will be without cover plates.

The drain may also be positioned in the floor, but in that case the cover plates cannot be used.

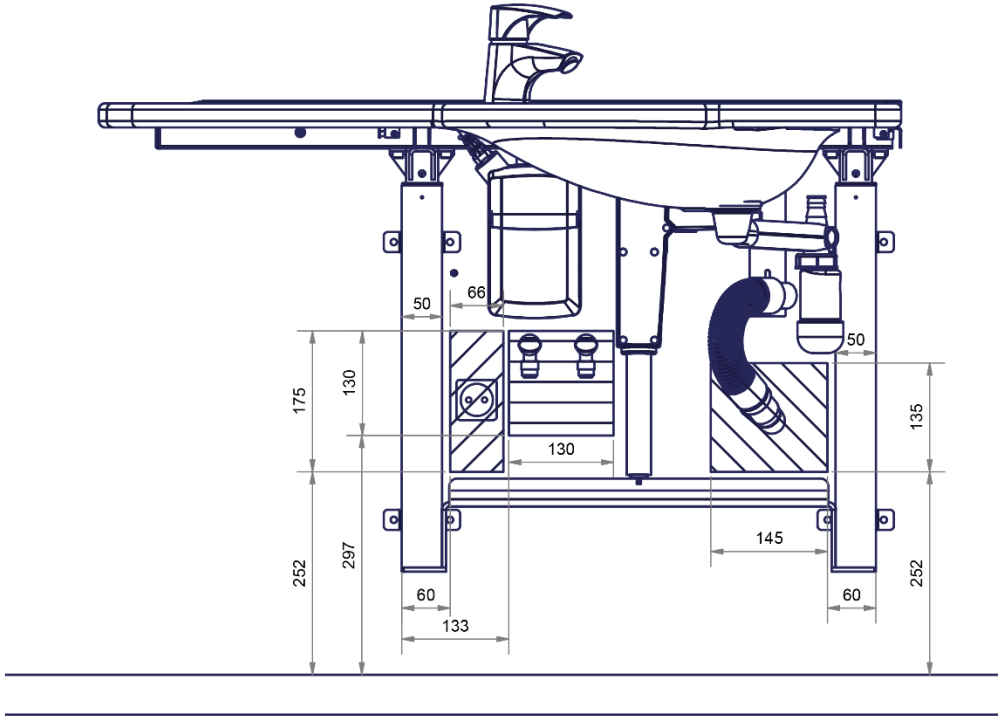


## Positioning of water supply, drain and power

 = Power, 
  = Water supply, 
  = Drain

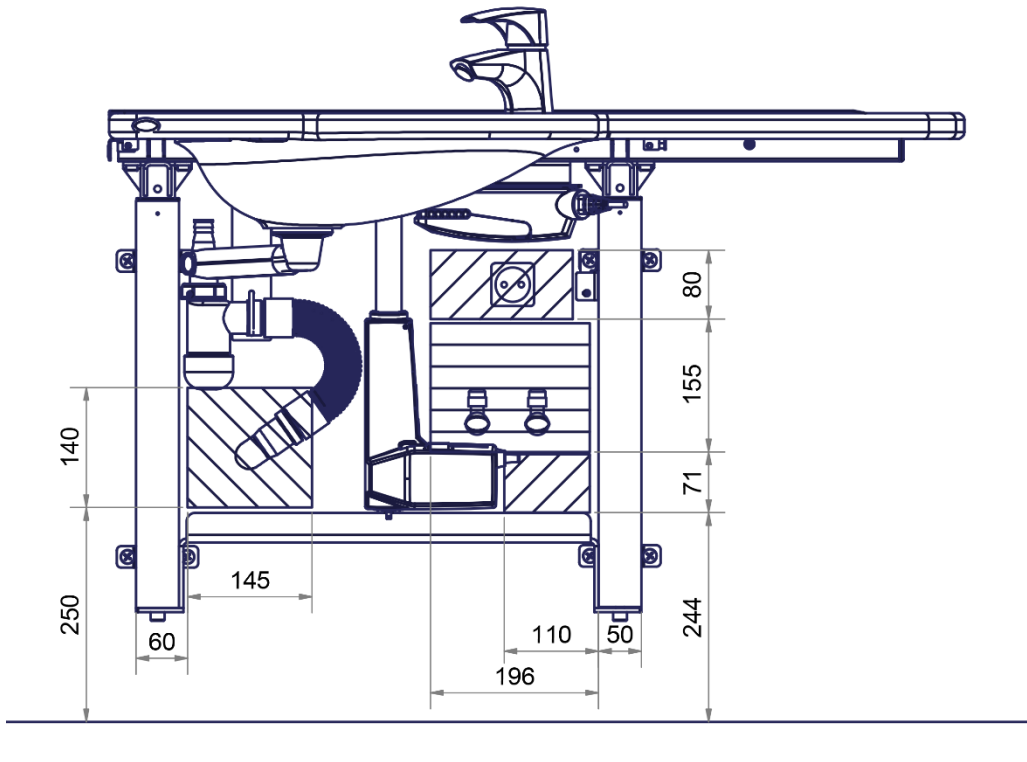
### 40-44006

Note: Stop valves pointing downward.



### 40-44007

Note: Stop valves pointing upward.

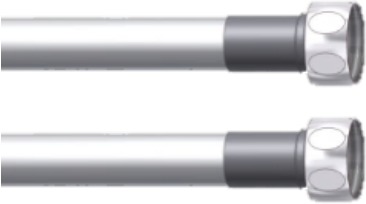













## 6.1 Connection adapters

If the recommendations cannot be met, the components shown below are available depending on the type of installation in the building.







### Water connection adapters

Hoses from washbasin	Adapter	Installation in room (not provided)
 1/2"	No adapter required	 1/2" Thread
	 1/2" -> 3/8" Item No. 97001670	 3/8" Thread
	 1/2" -> 15mm Item No. 97001666	 15mm Pipe


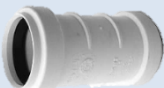
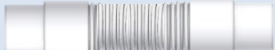

### Hose extension

Hose from washbasin	Coupling piece	Extra hose
	 1/2" -> 1/2" Item No. 97001662	 1/2" x 1/2", 0,5m, steel Item No. 97001123
		 1/2" x 1/2", 1m, plastic Item No. 97001120

### Drain adapters

Drain hose from washbasin	Adapter	Installation in room (not provided)
 Ø32	No adapter required	 Ø32
	 Ø32 -> Ø40 Item No. 97001660	 Ø40
	 Ø32 -> Ø50 Item No. 97001661	 Ø50

### Drain hose extension

Drain hose from washbasin	Coupling piece	Extra drain hose
 Ø32	 Ø32-Ø32 Item No. 97001662	 Ø32 Flex hose, 40-110cm Item No. 97001161
		 Ø32 Flex hose, 27-62cm Item No. 97001162

## 7. Mounting instruction

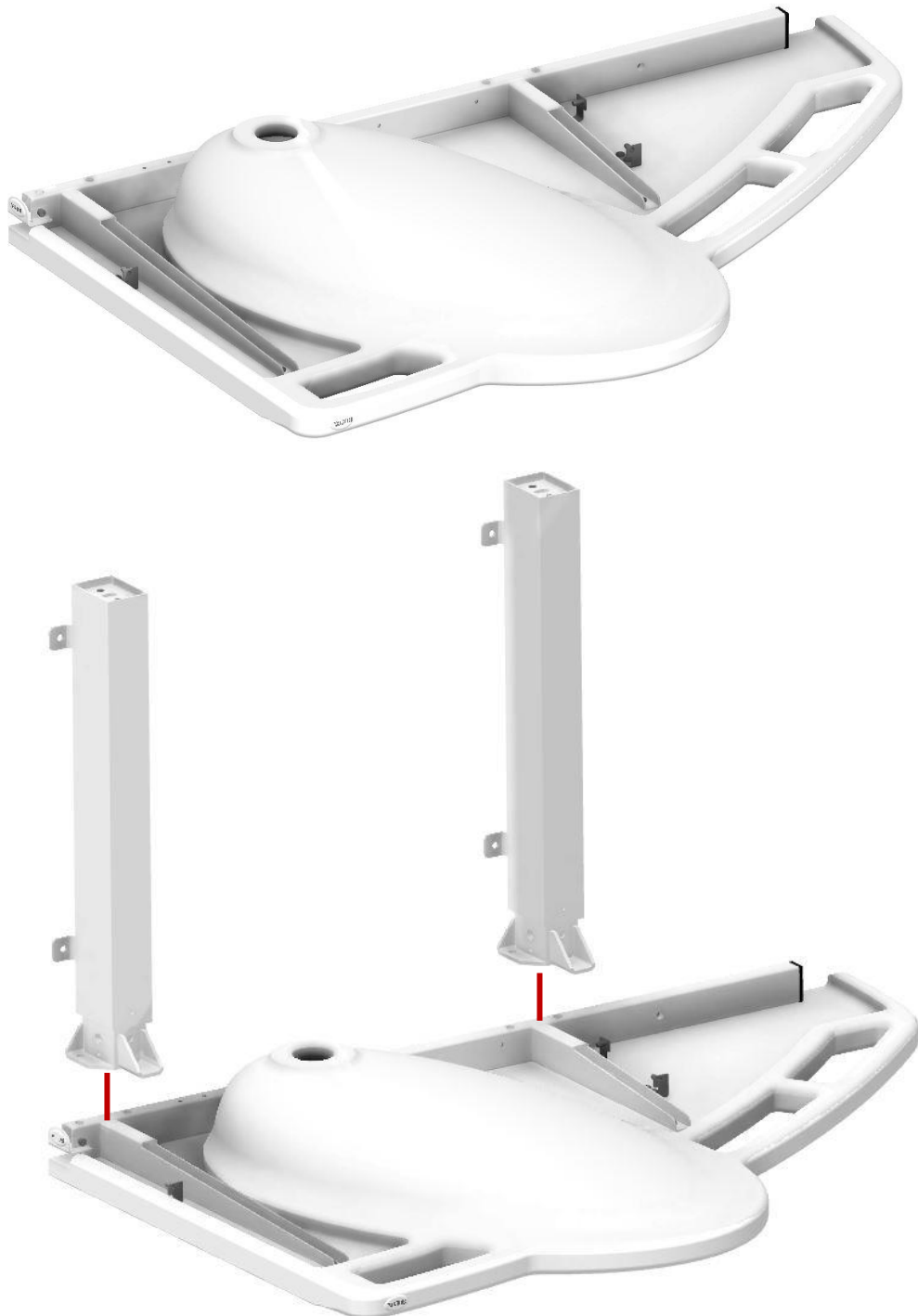
Prior to assembly check that all parts have been provided according to the list of components. See list of components, page 38

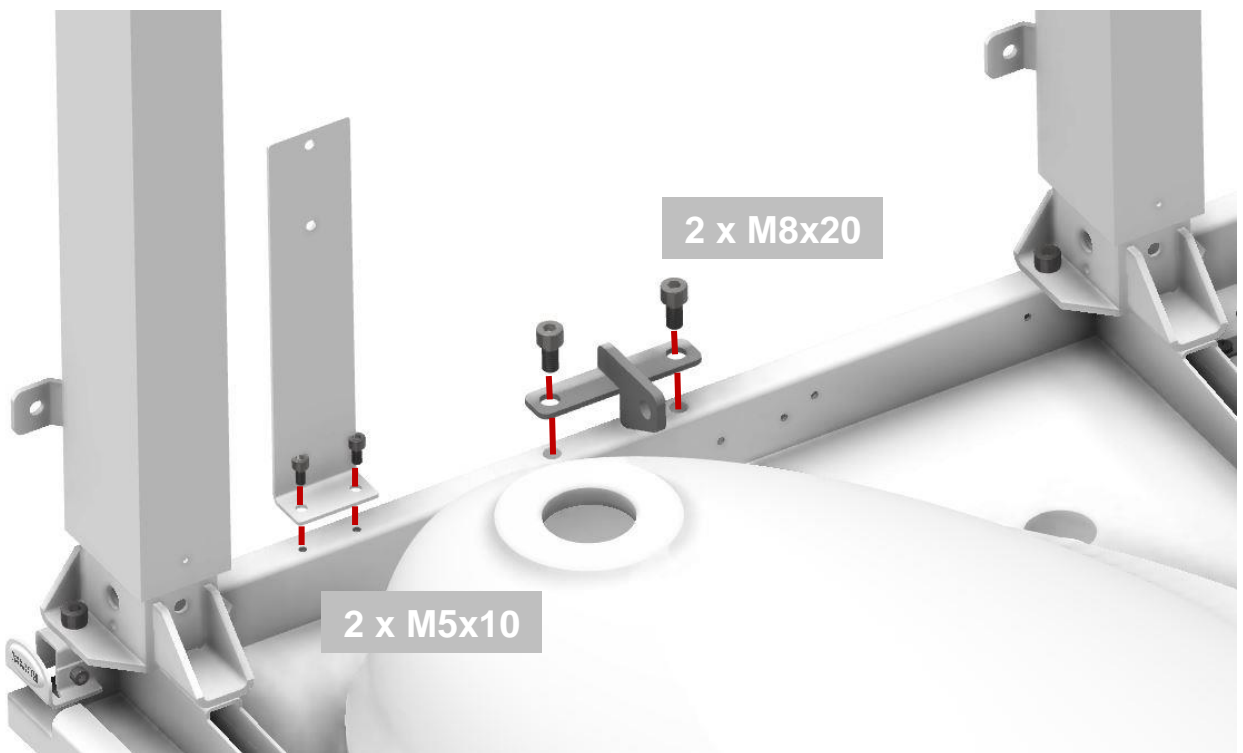
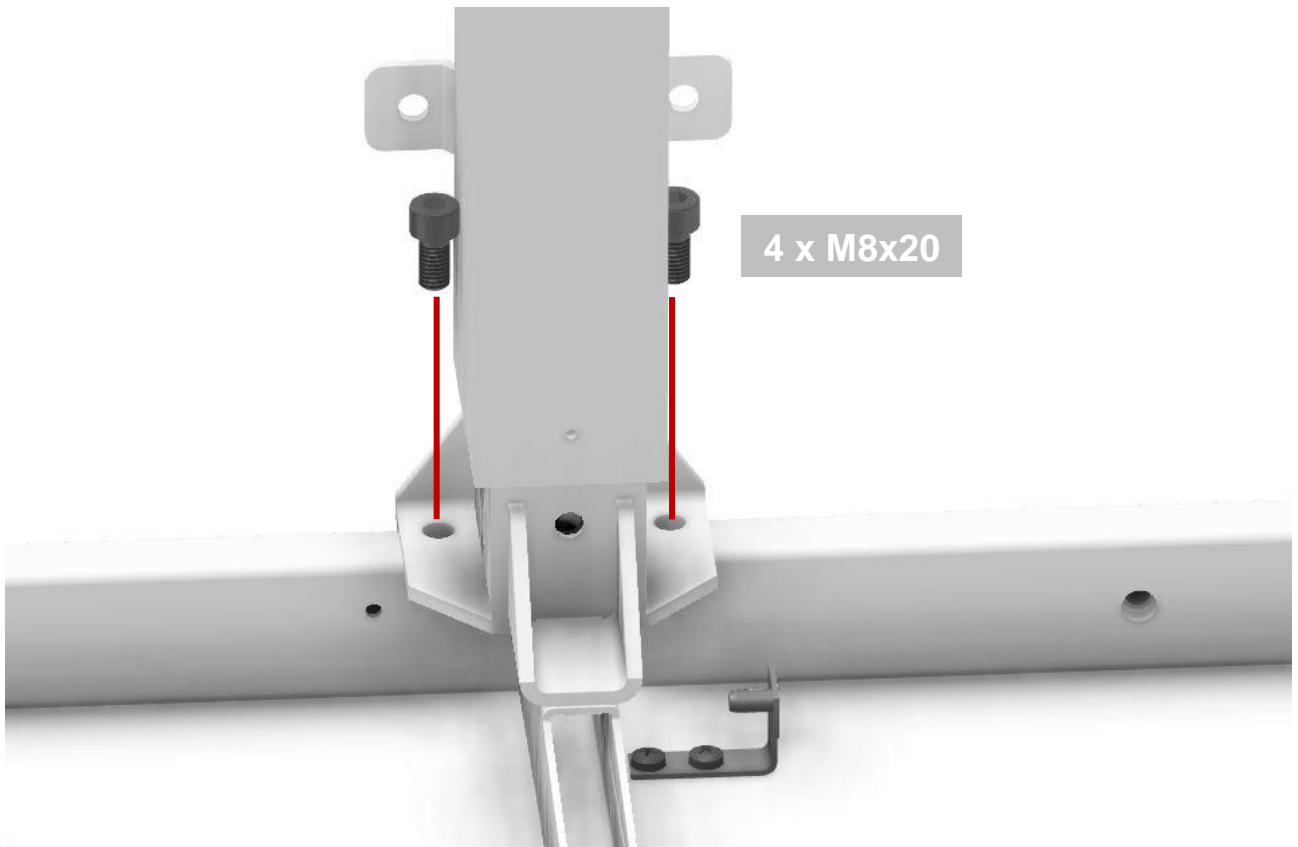
### 7.1 Support Washbasin Electric, left

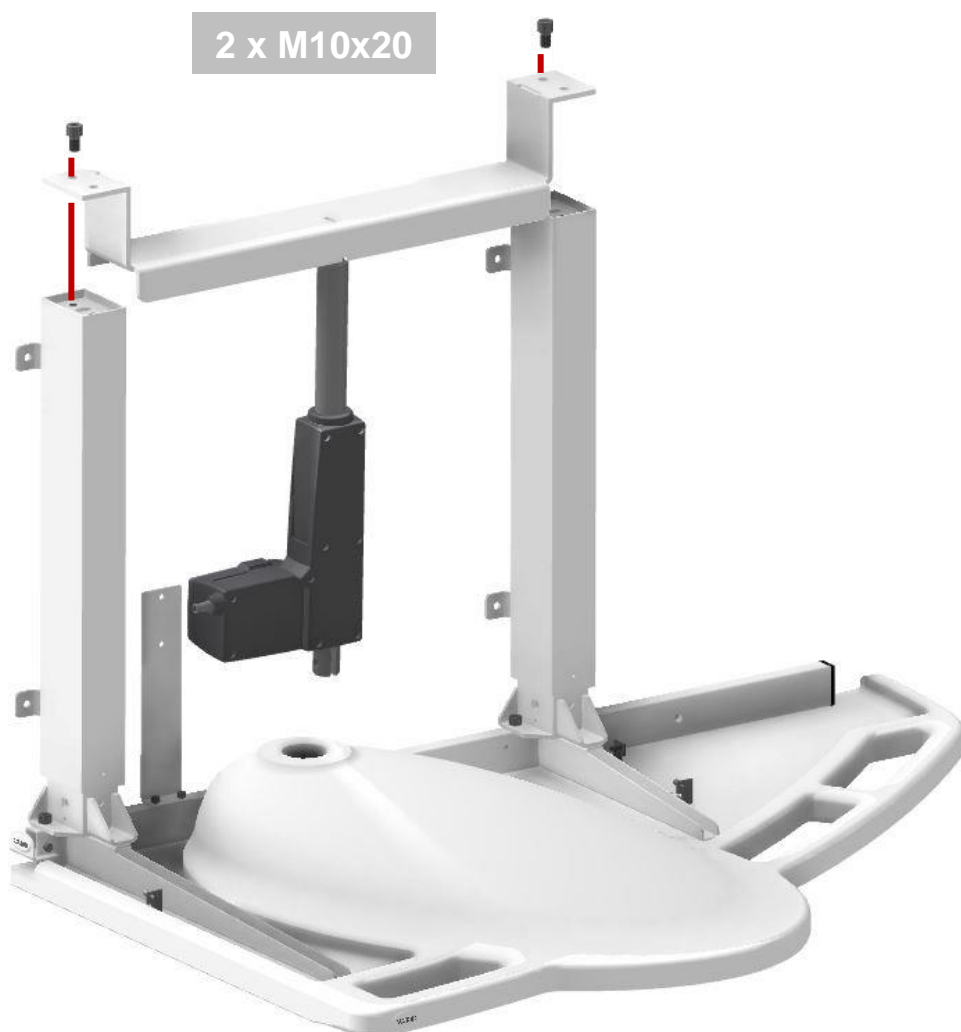
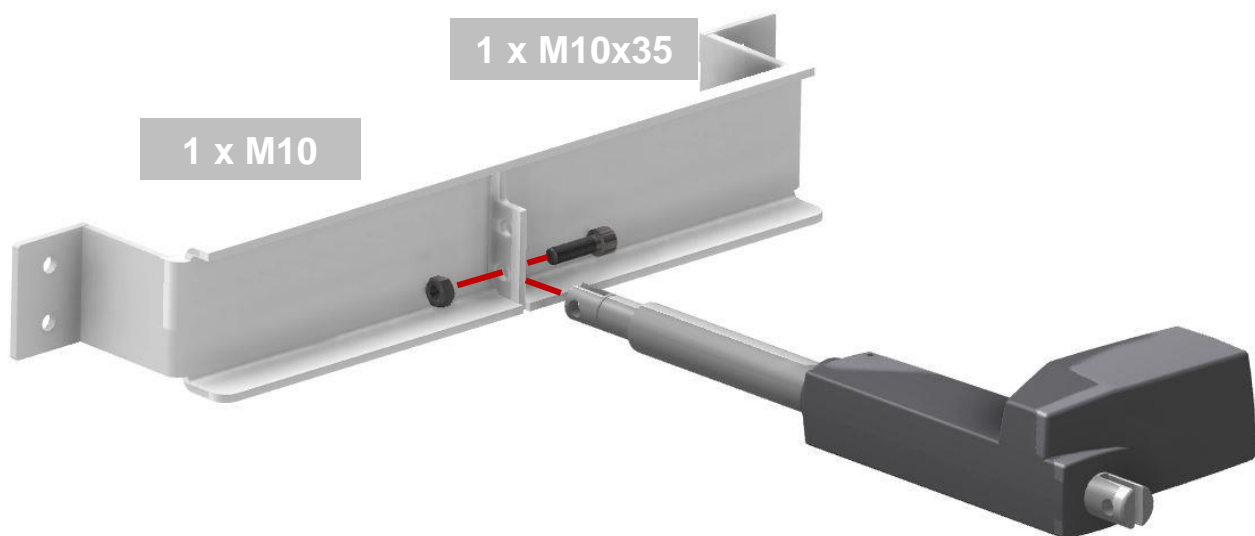
40-44006

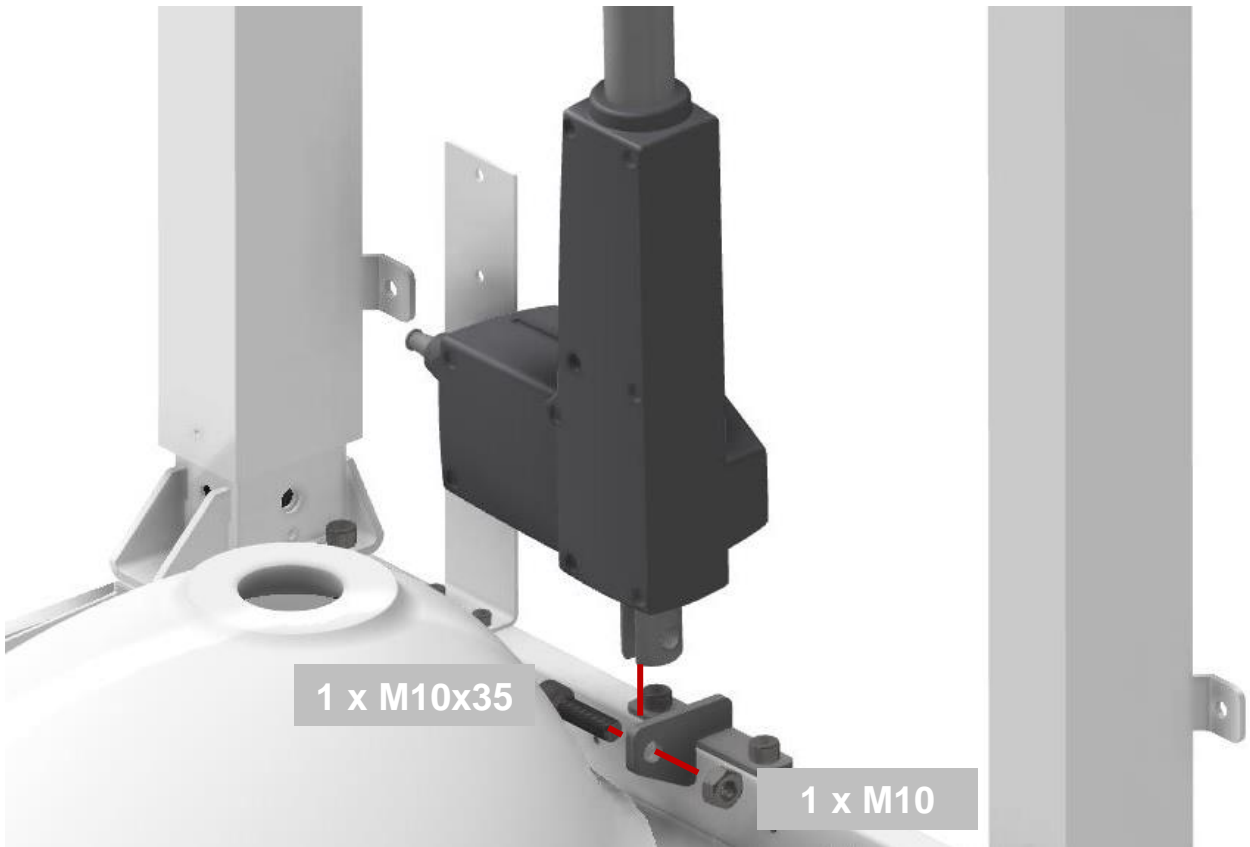
**NOTE:**

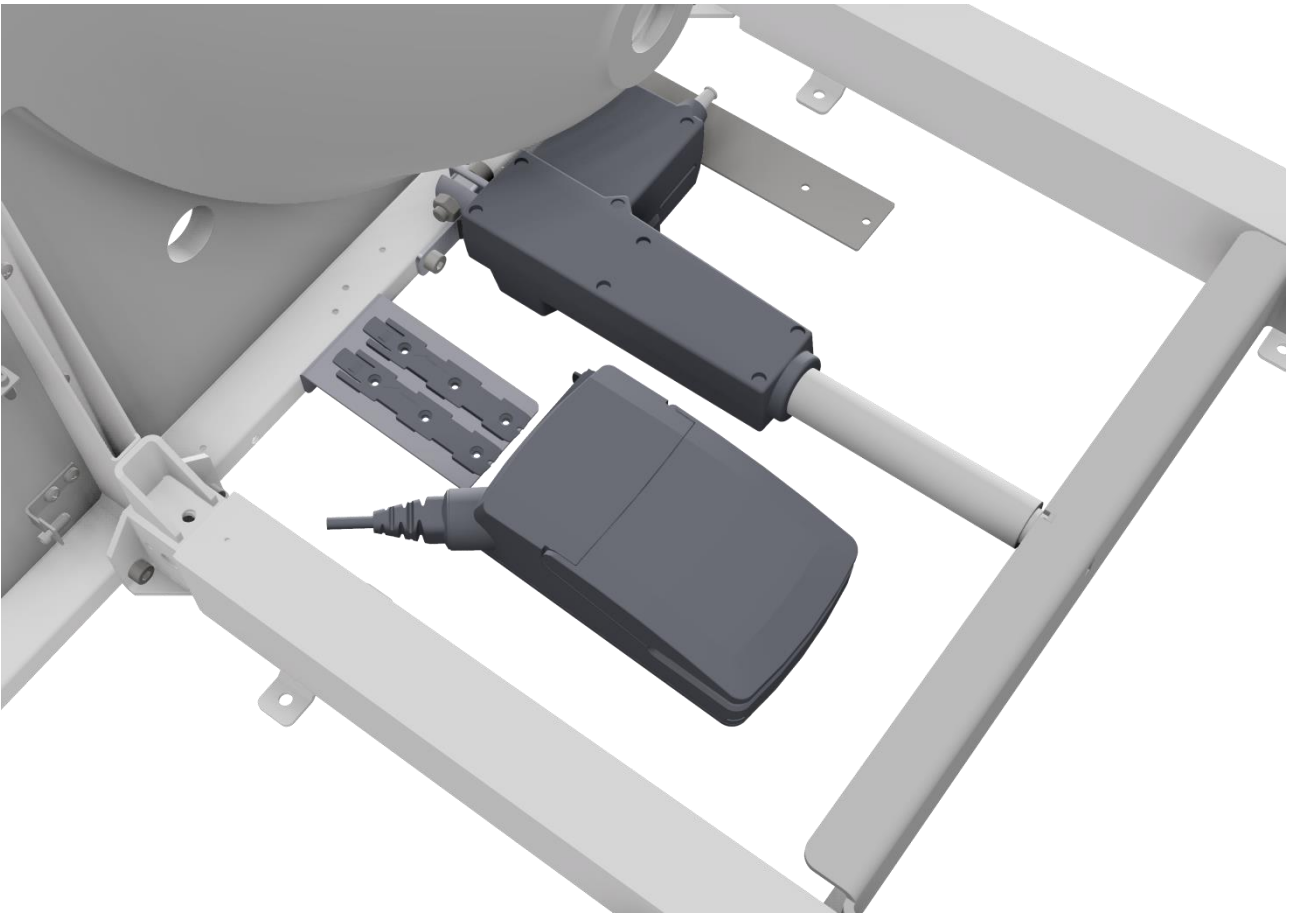
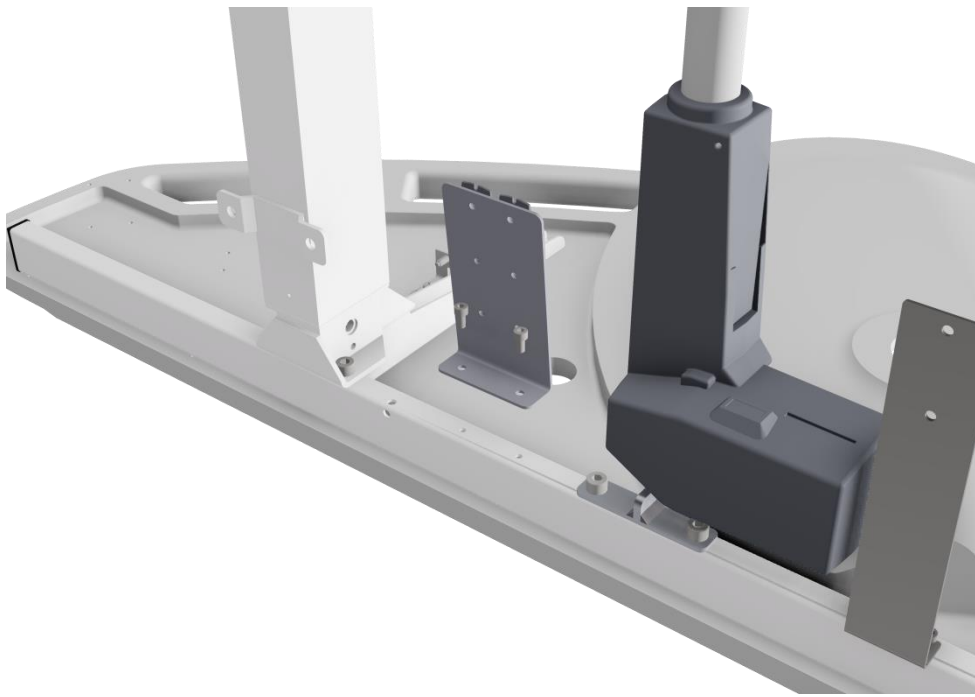
Make sure the washbasin does not get scratched while upside down.

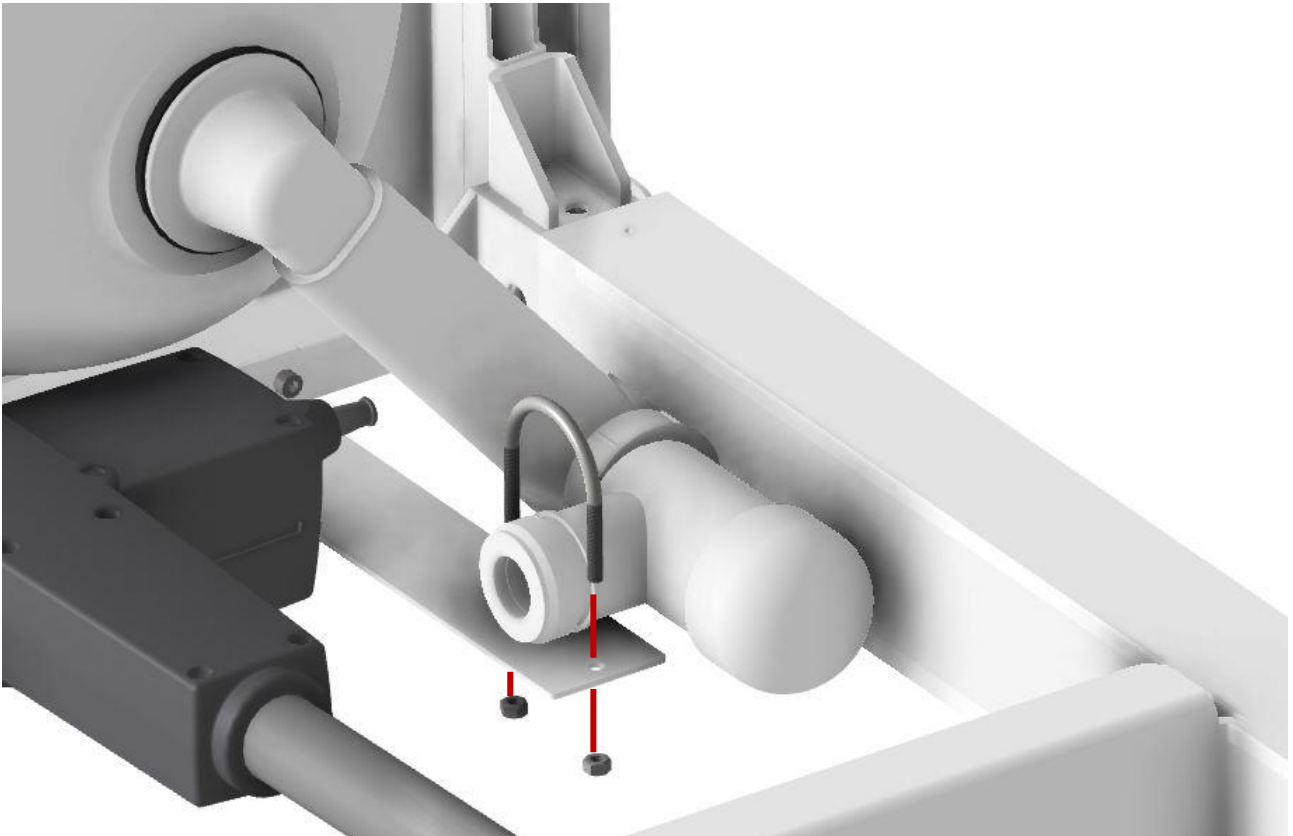
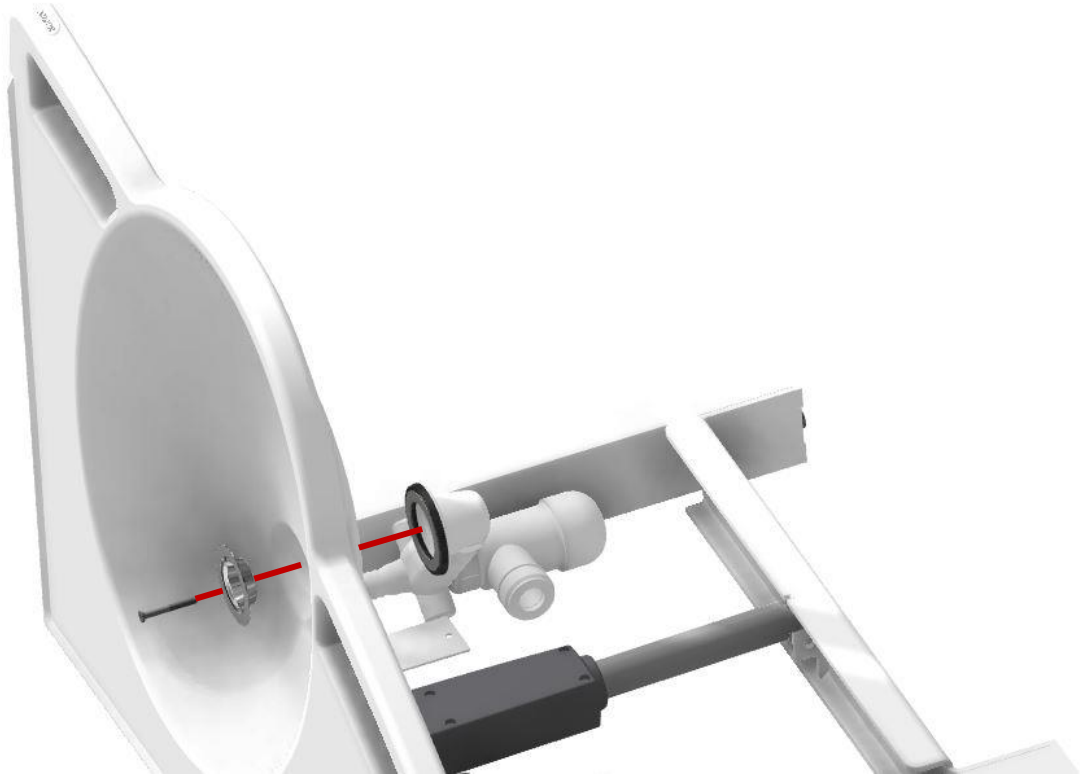


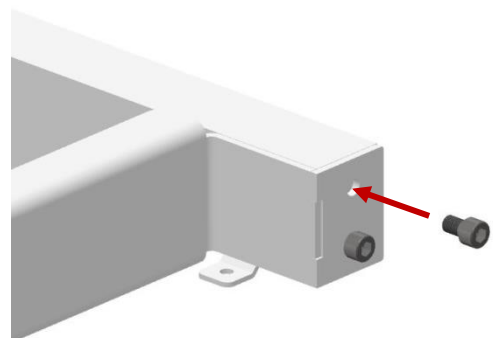
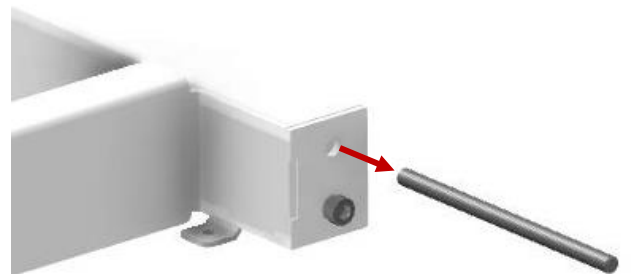
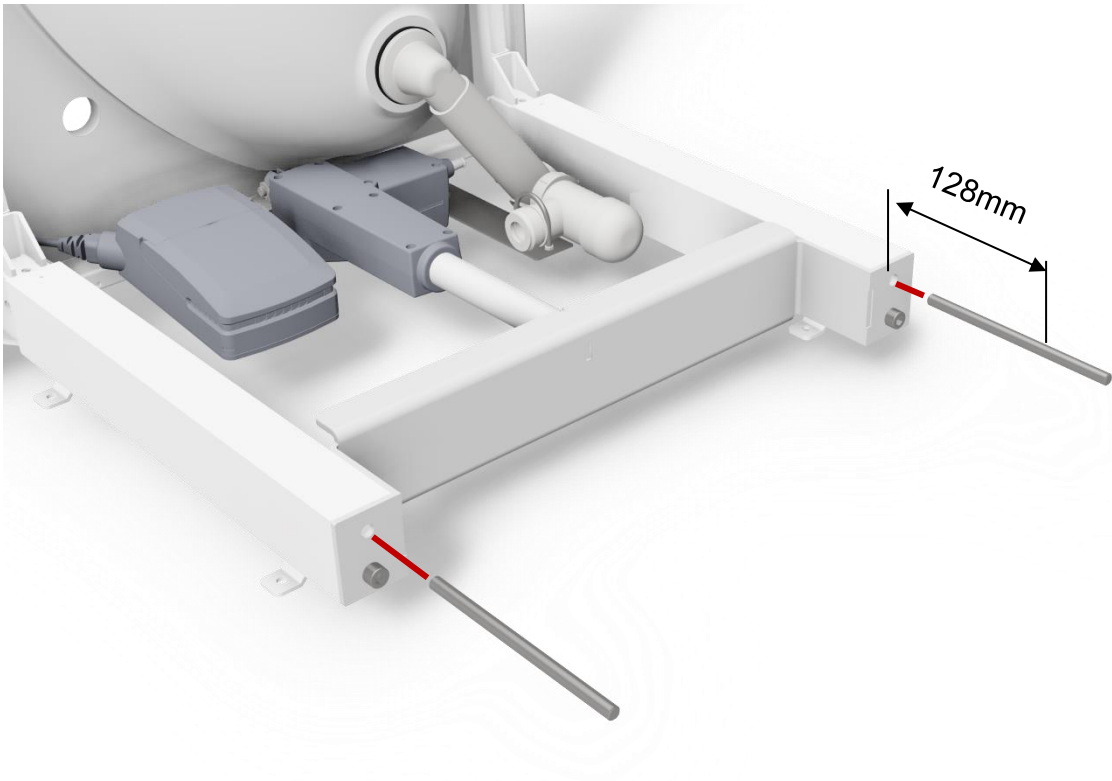




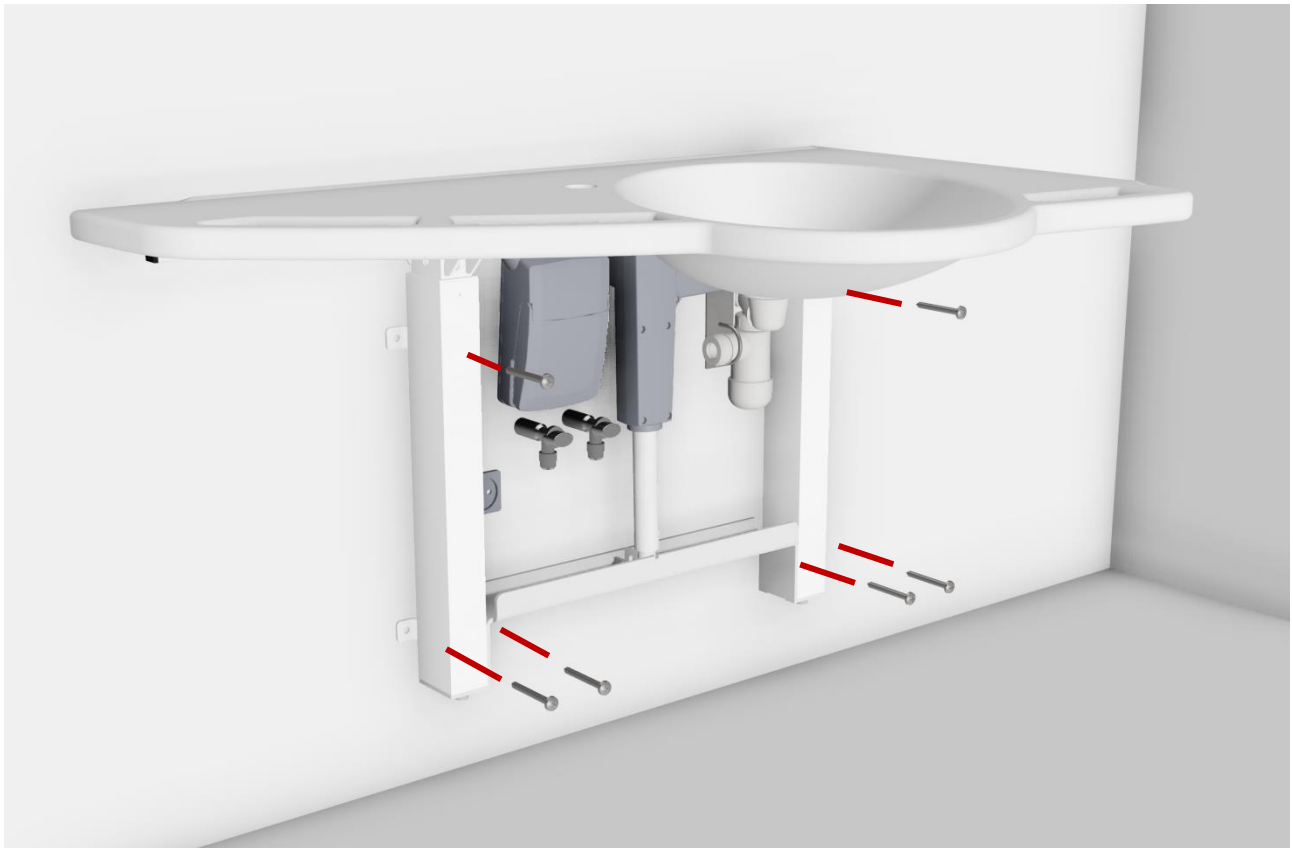
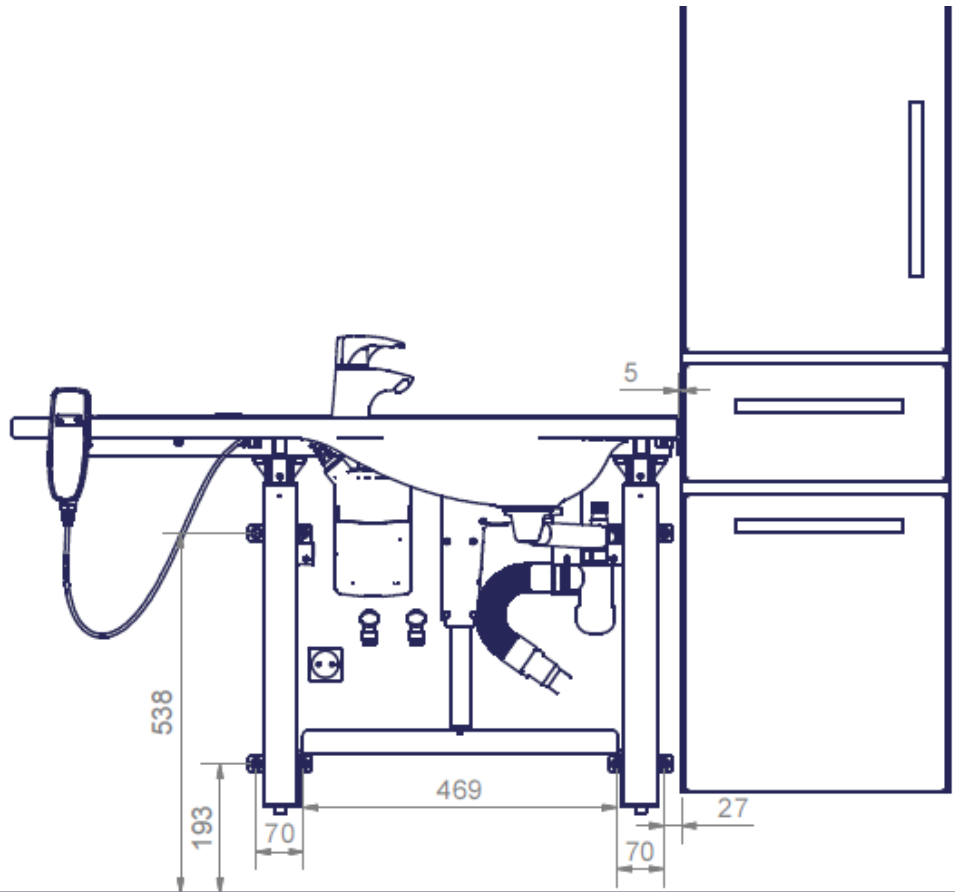




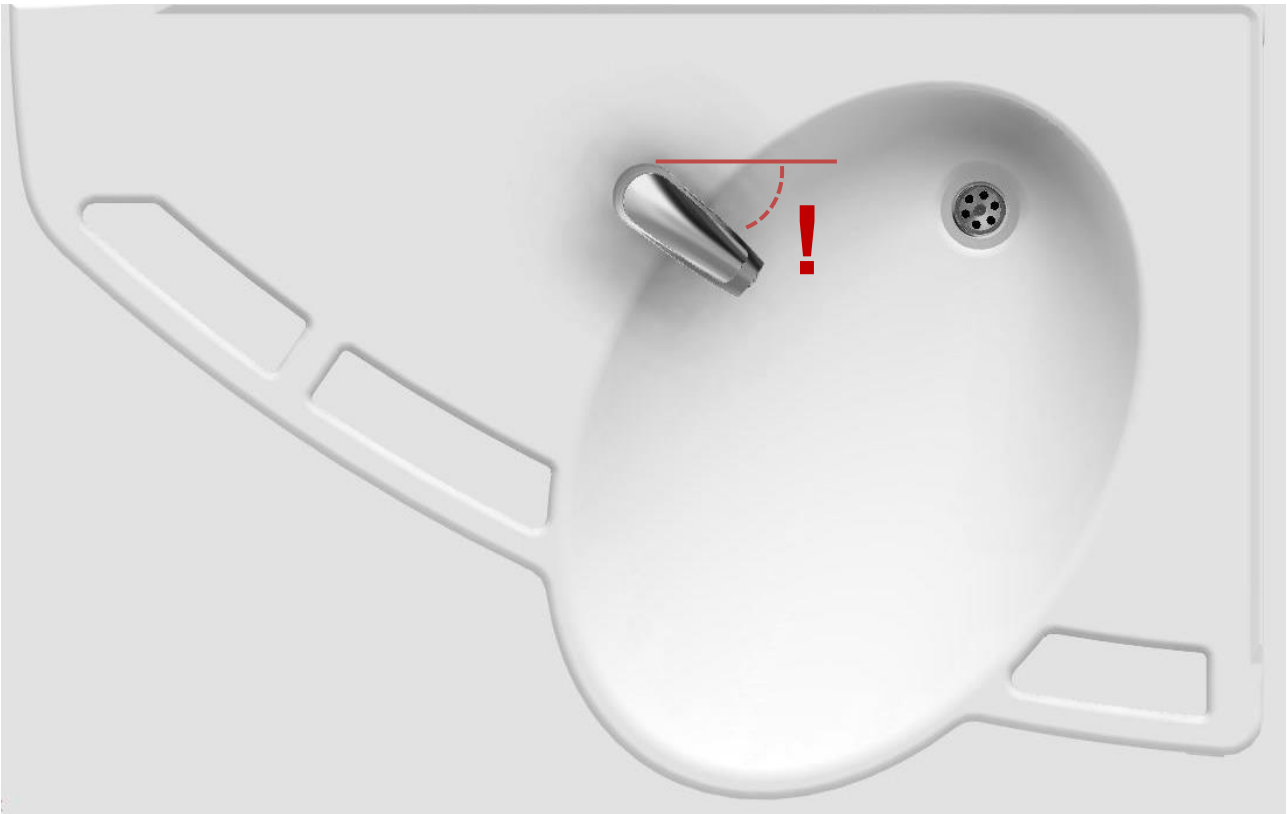


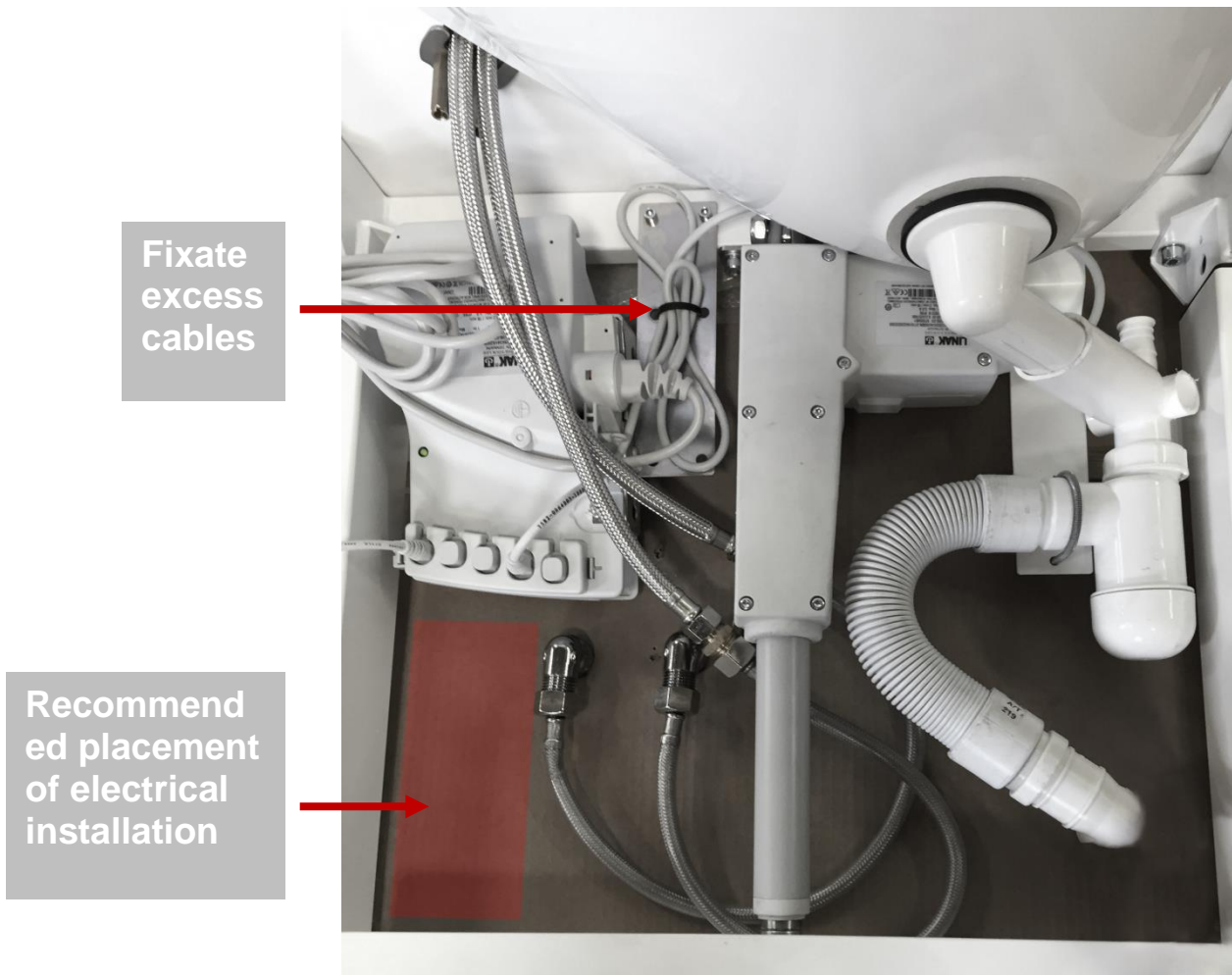
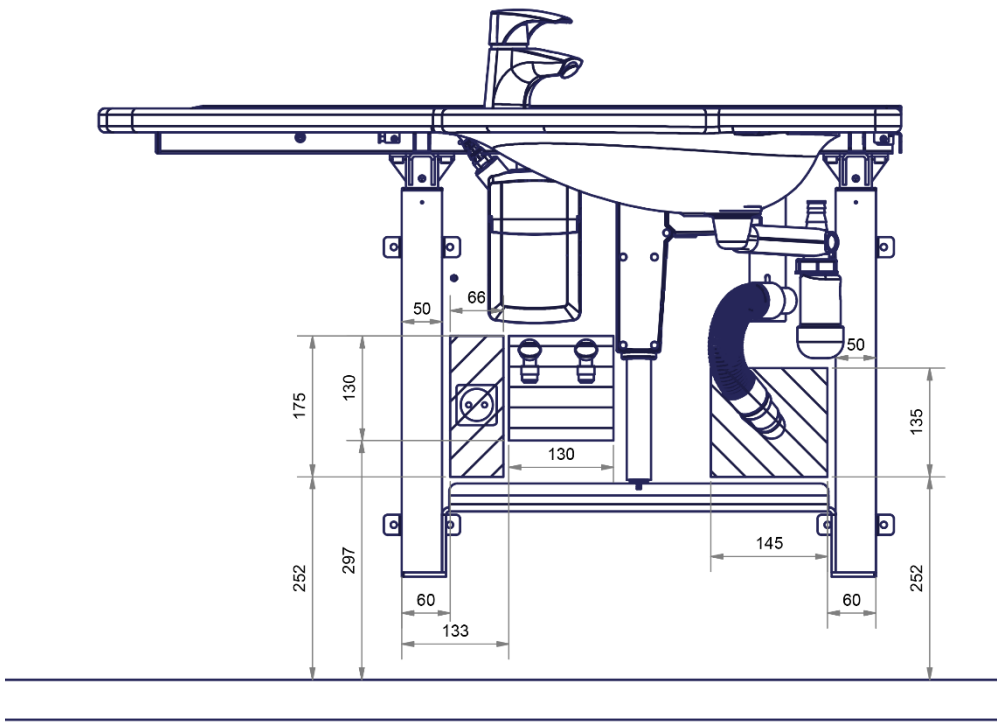




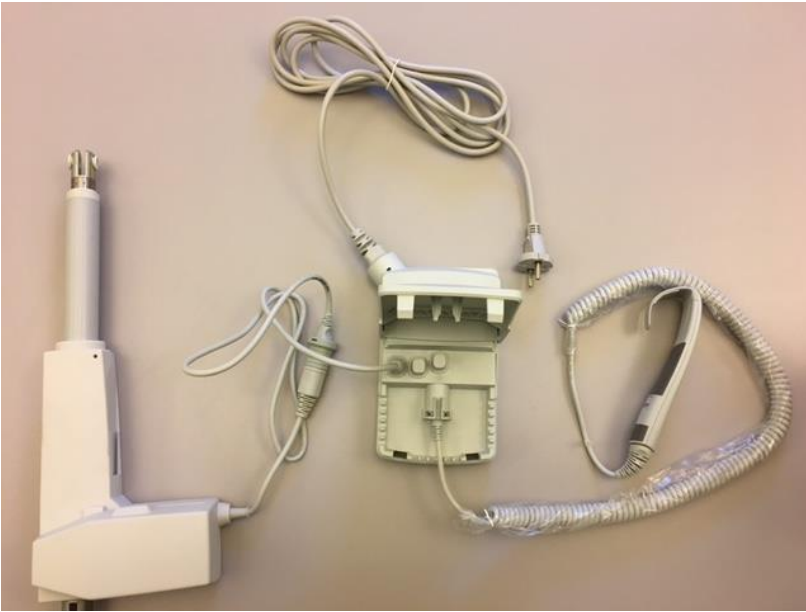


**NOTE:** Depending wall type, choose other suitable screws, as required.  
**Max. load on upper screws: 71 kg/screw**



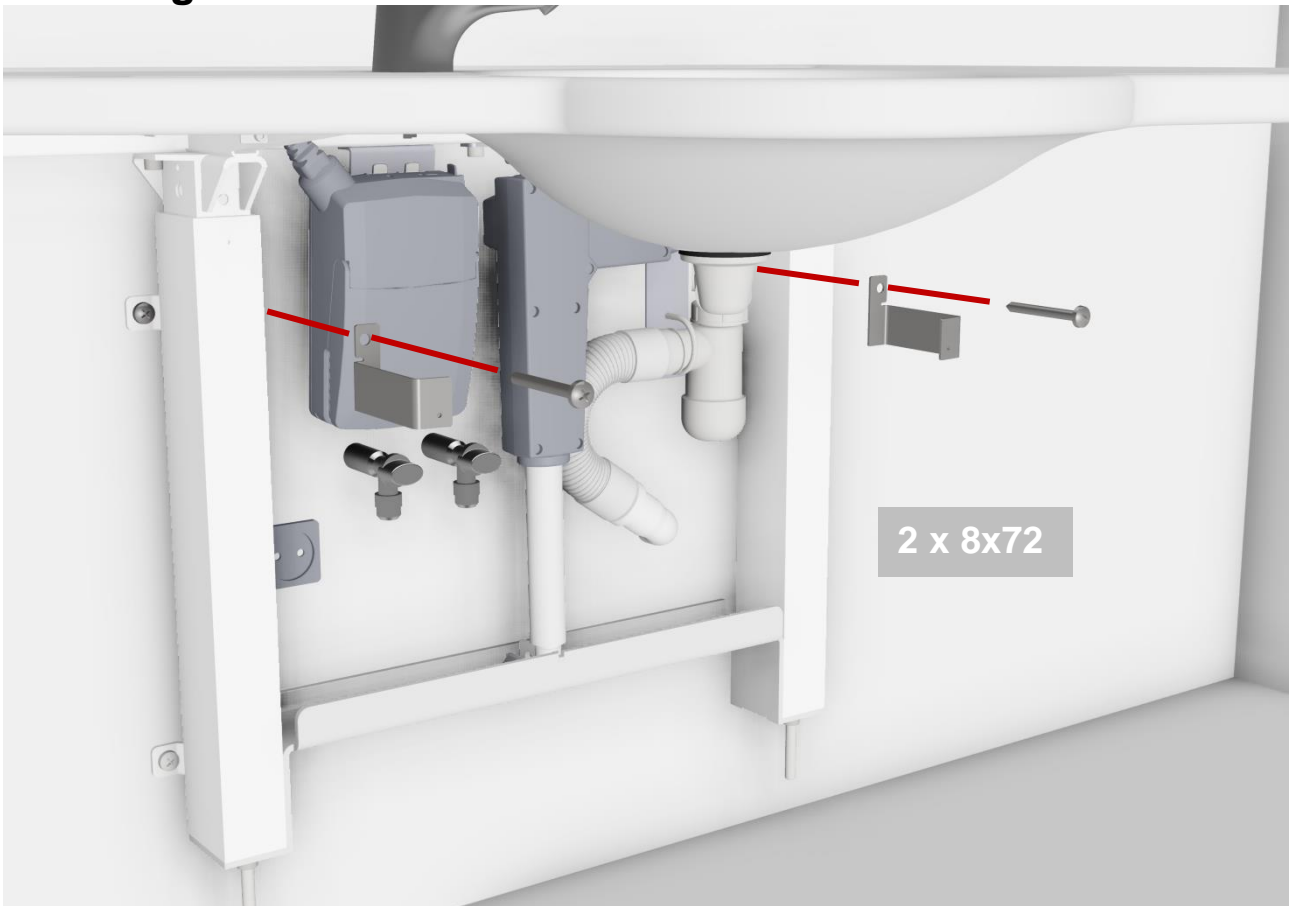


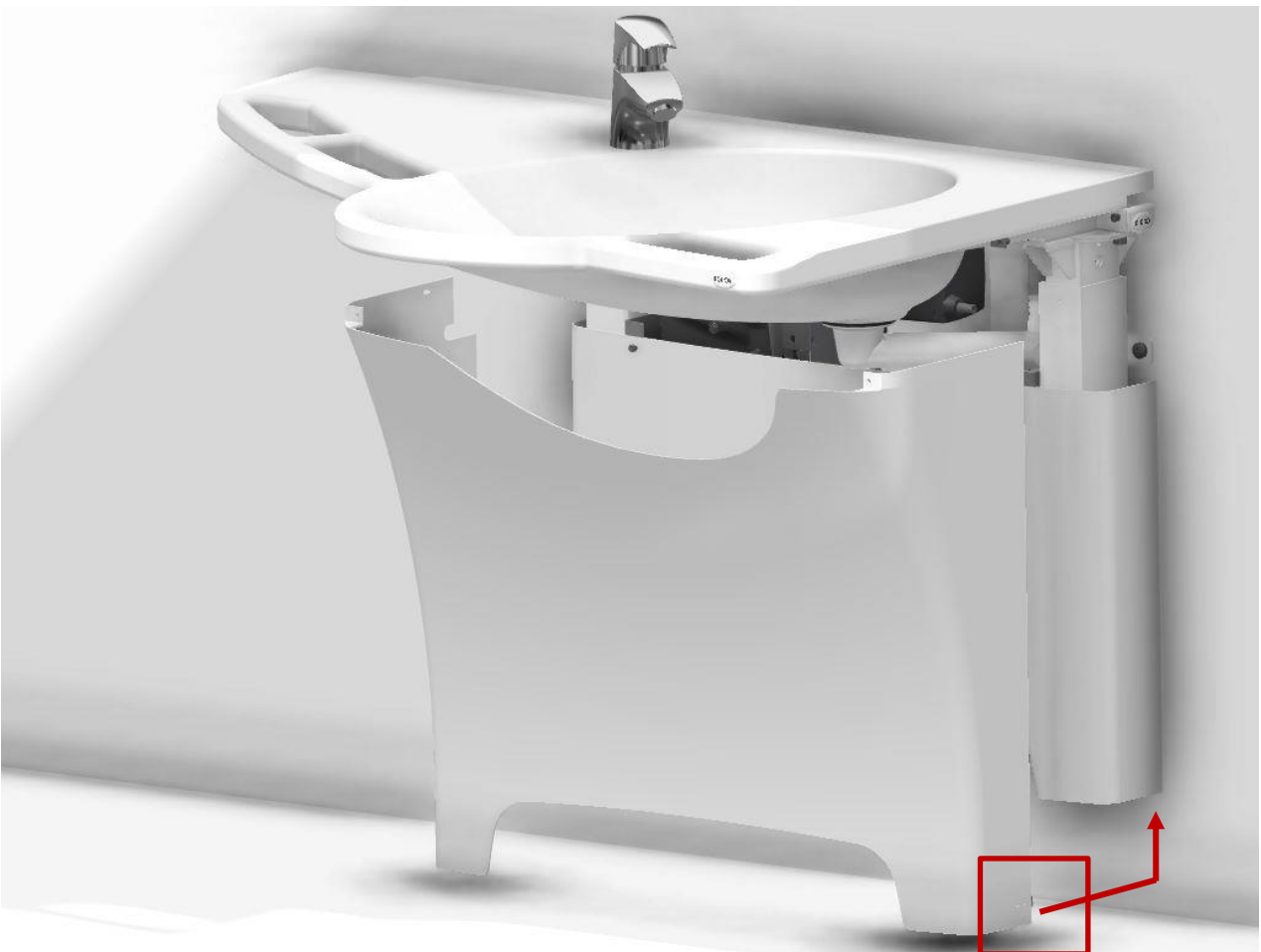
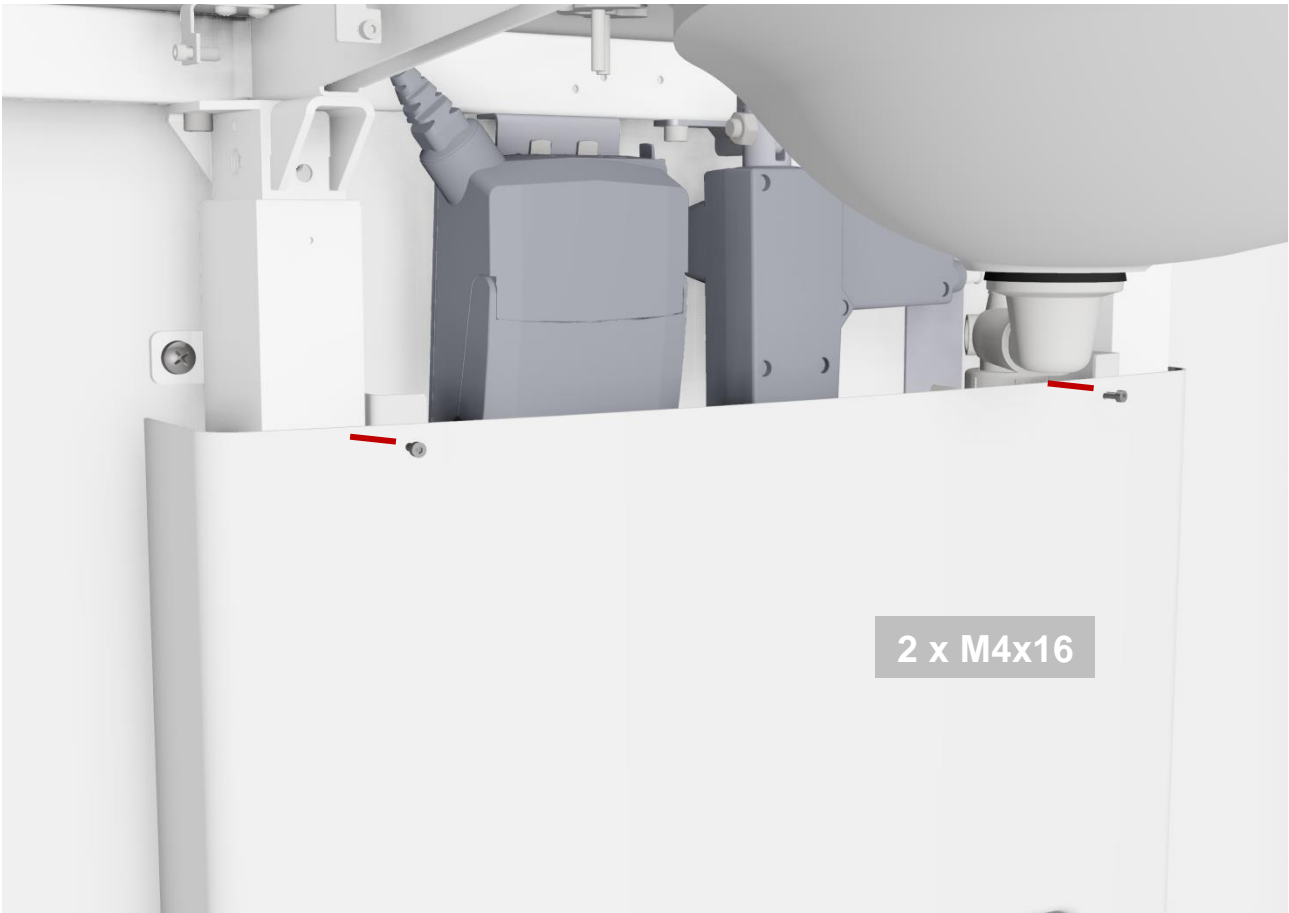
## Wiring diagram

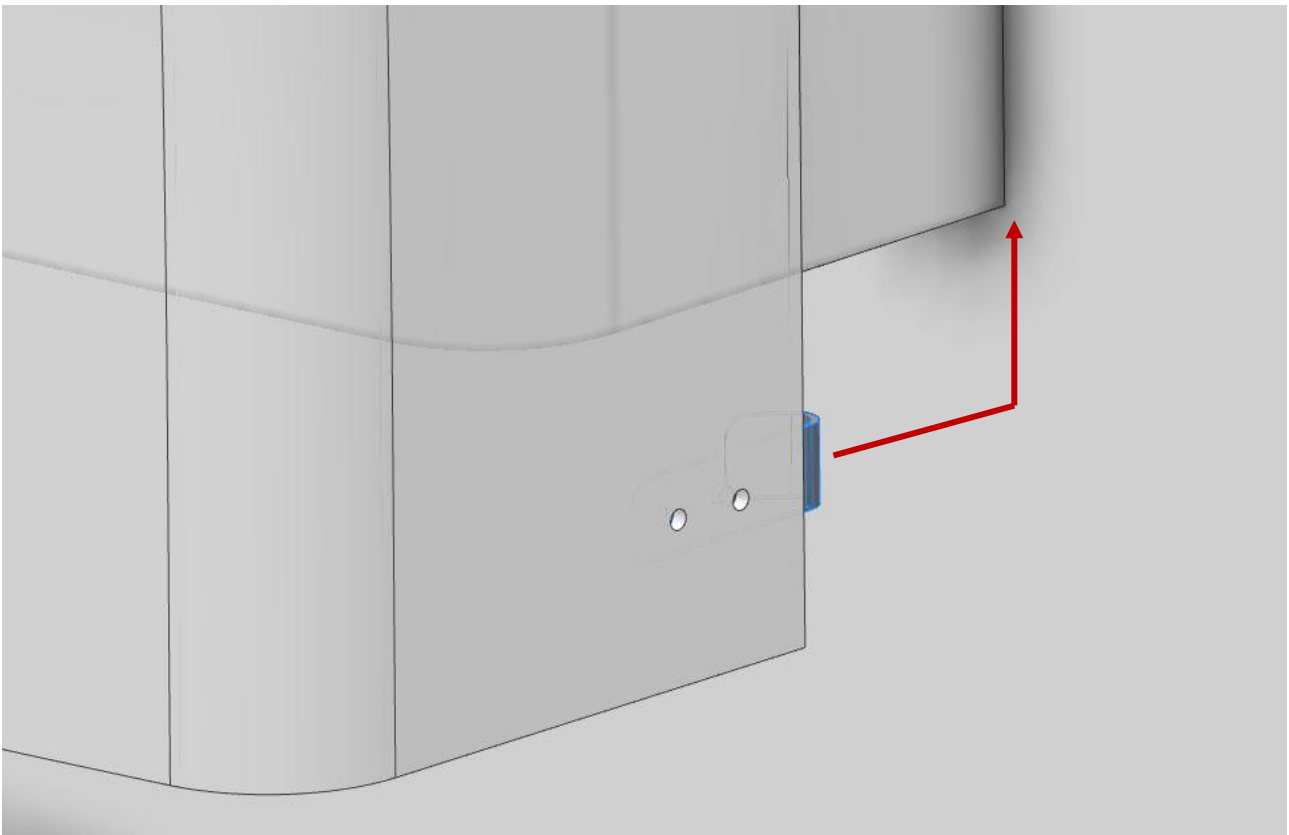


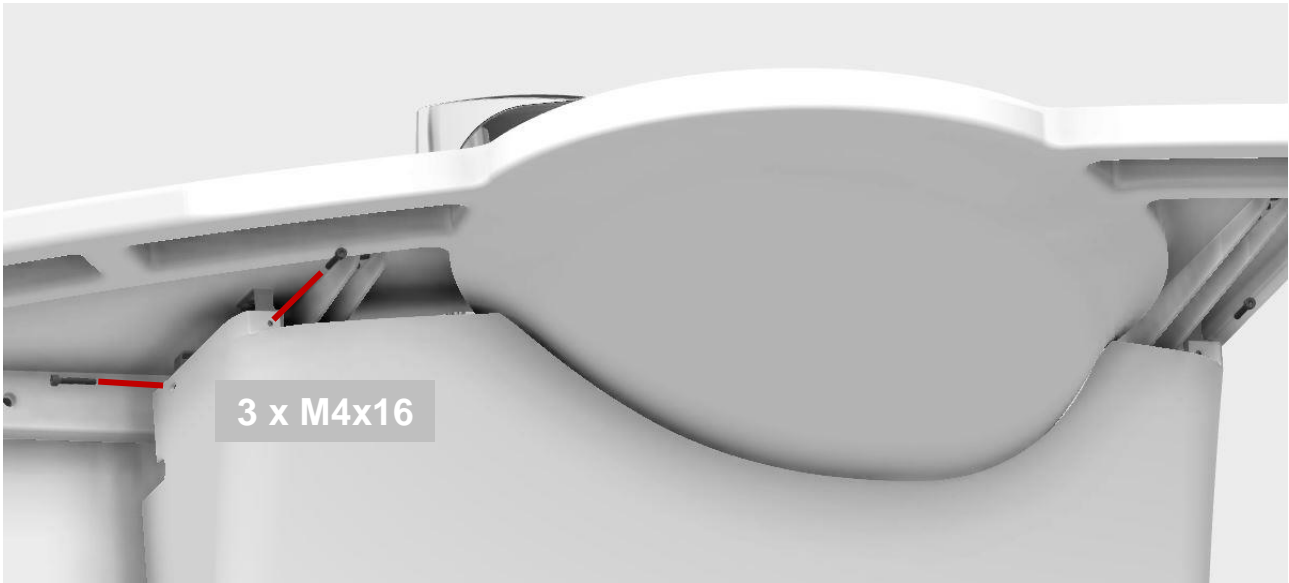
Adjust the washbasin to its highest and lowest position to make sure the wires and hoses are mounted correctly and do not conflict during the adjustment.

## Mounting of covers







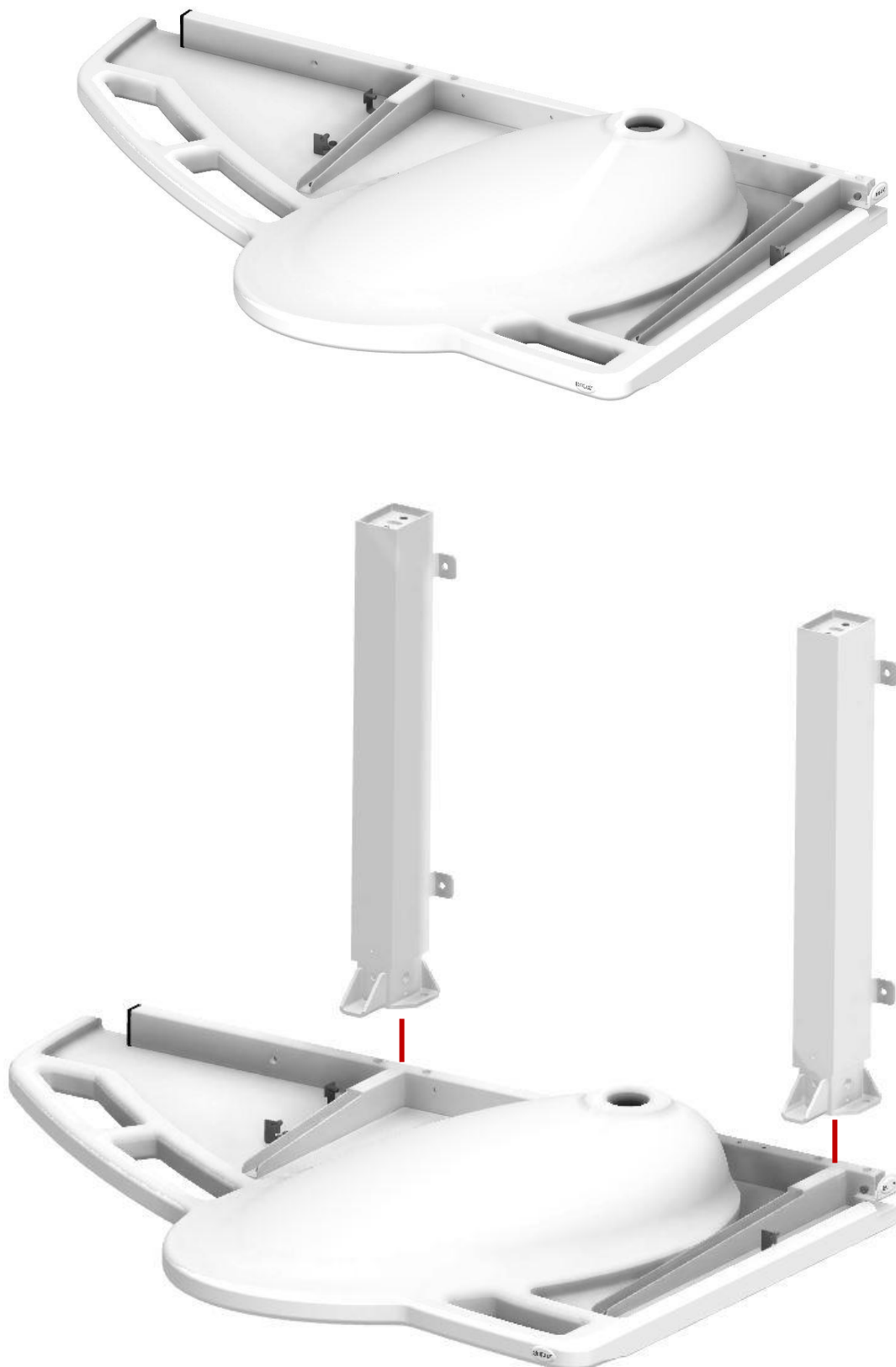


7.2 Support Washbasin Electric, right

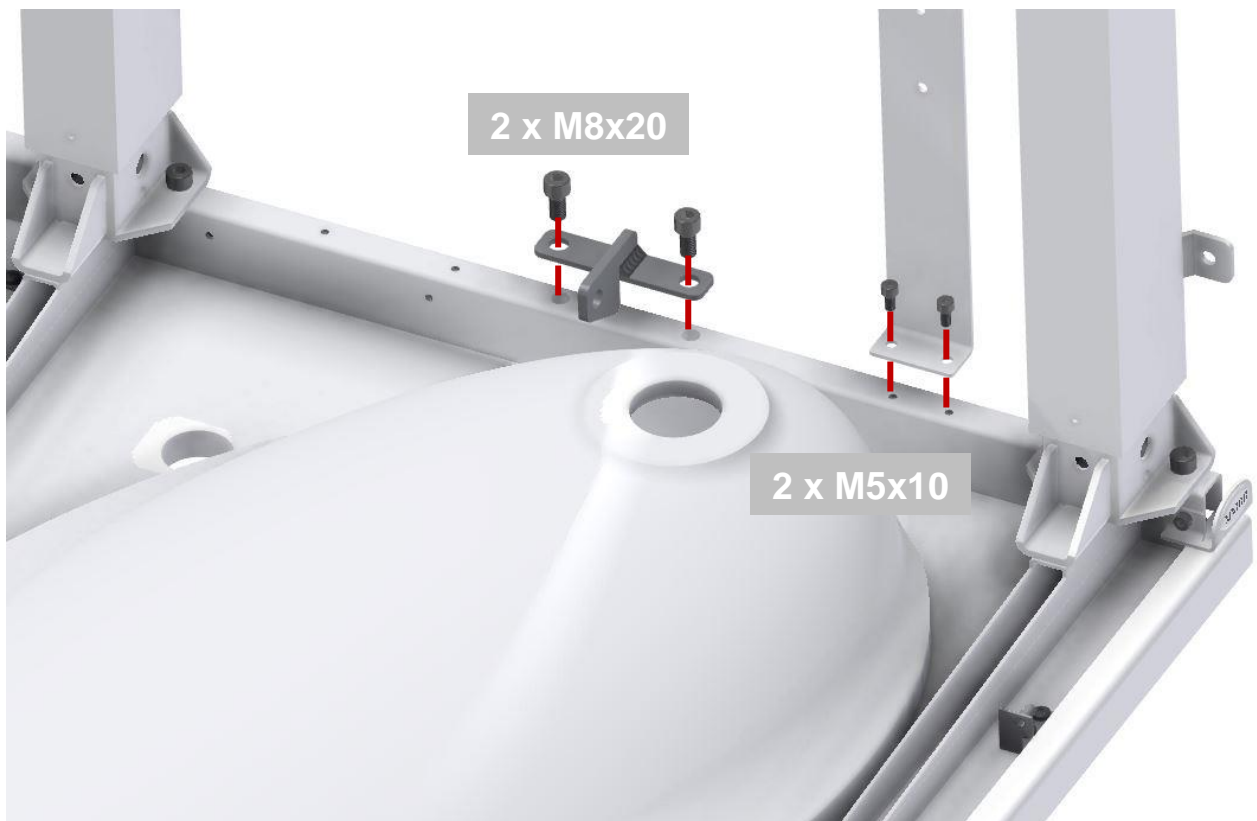
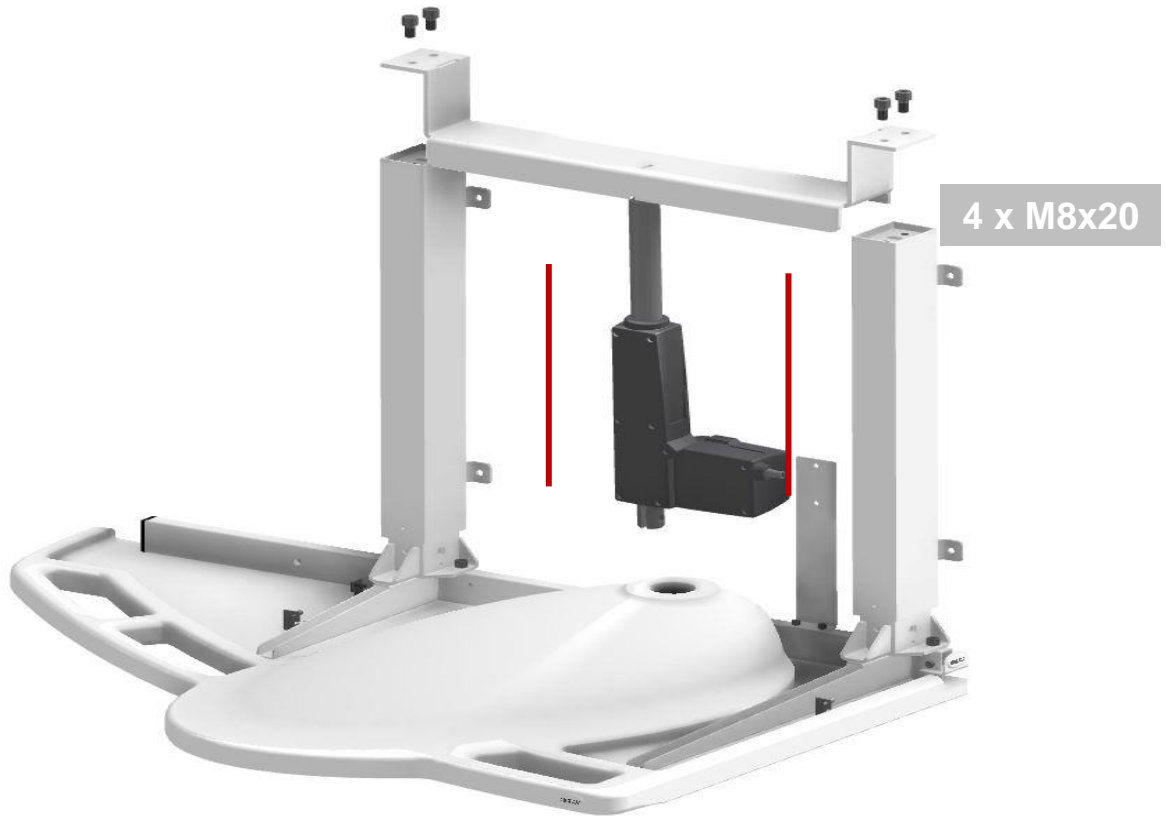
40-44007

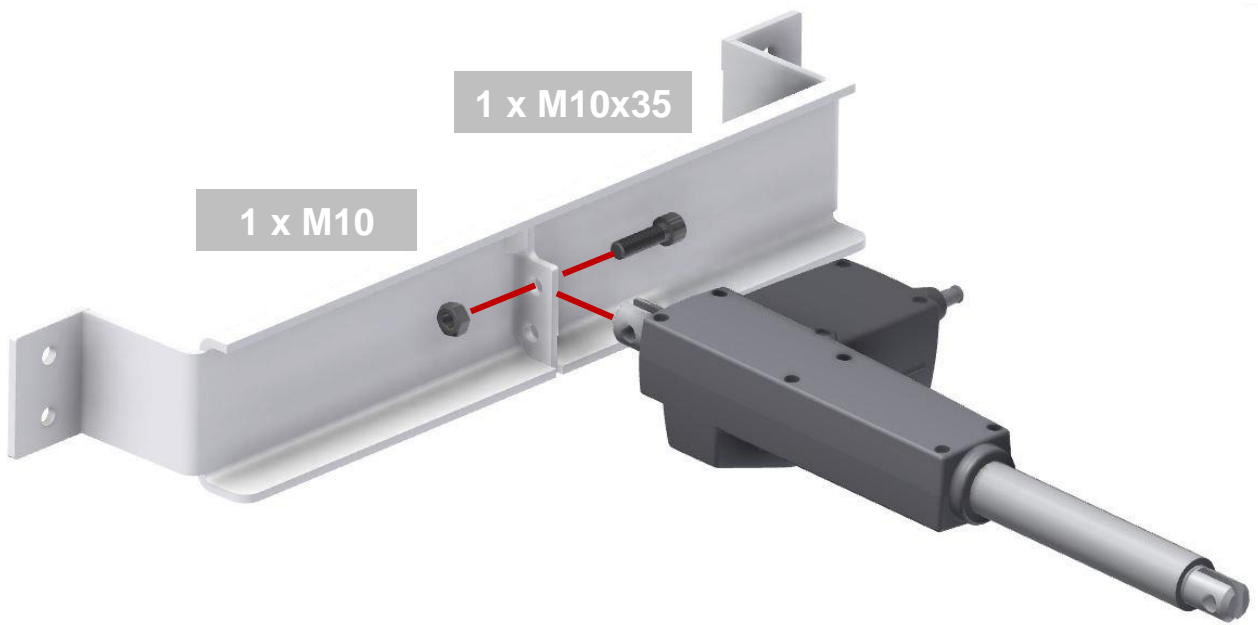
**NOTE:**

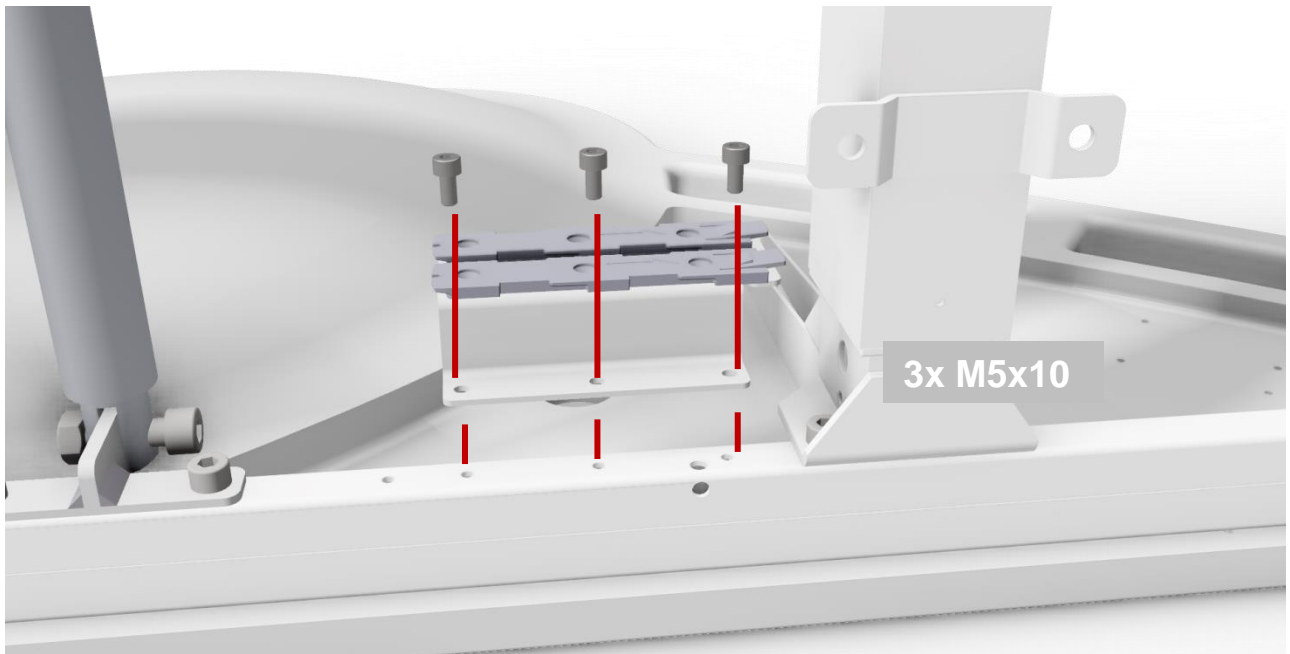
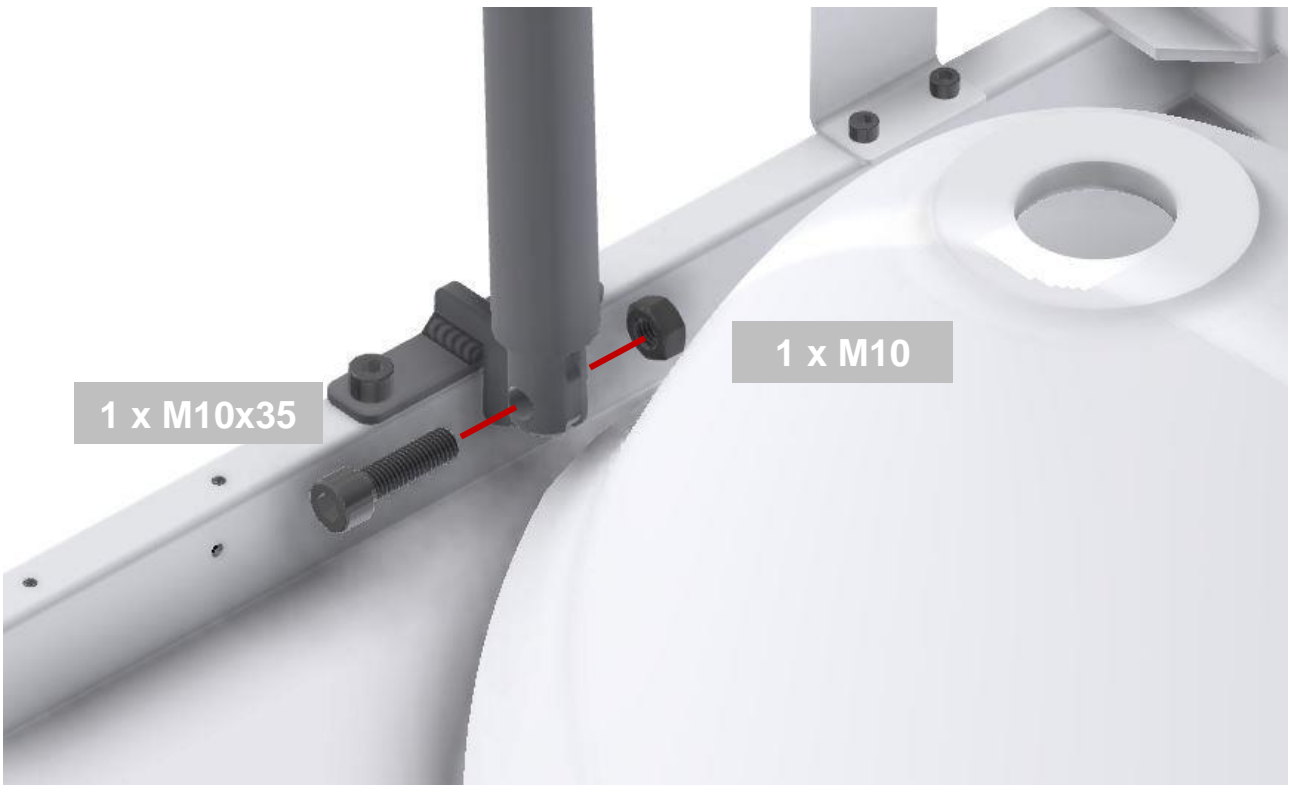
Make sure the washbasin does not get scratched while upside down.

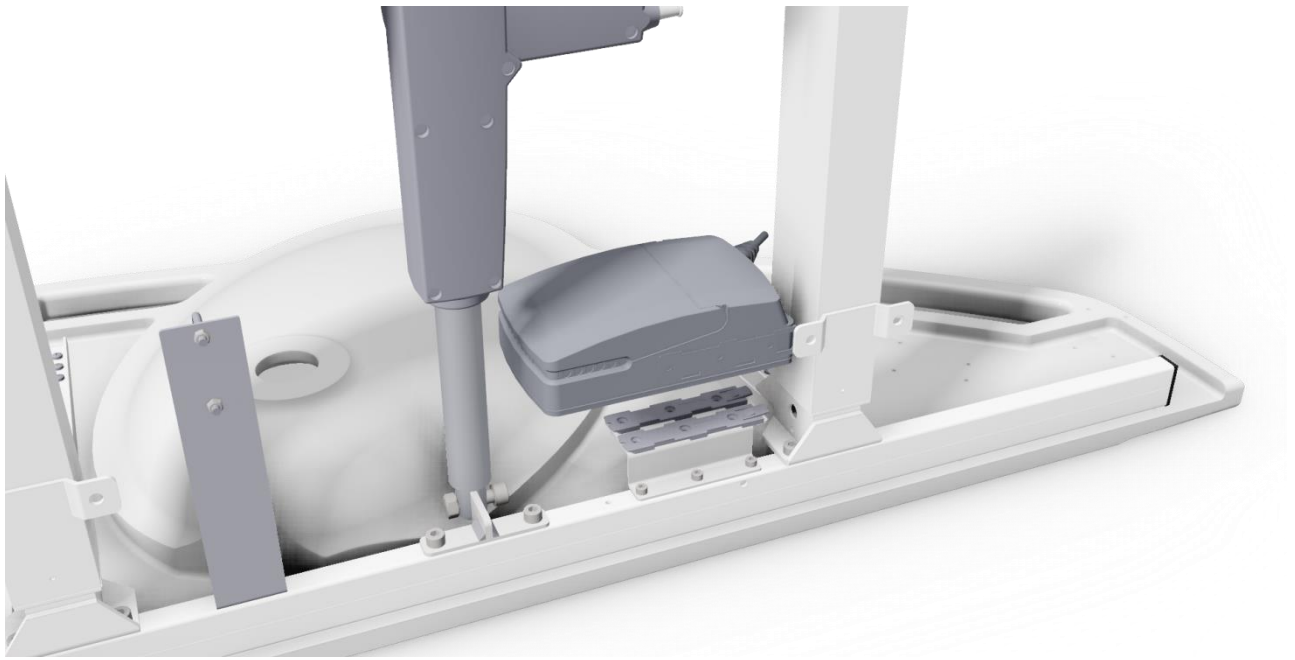


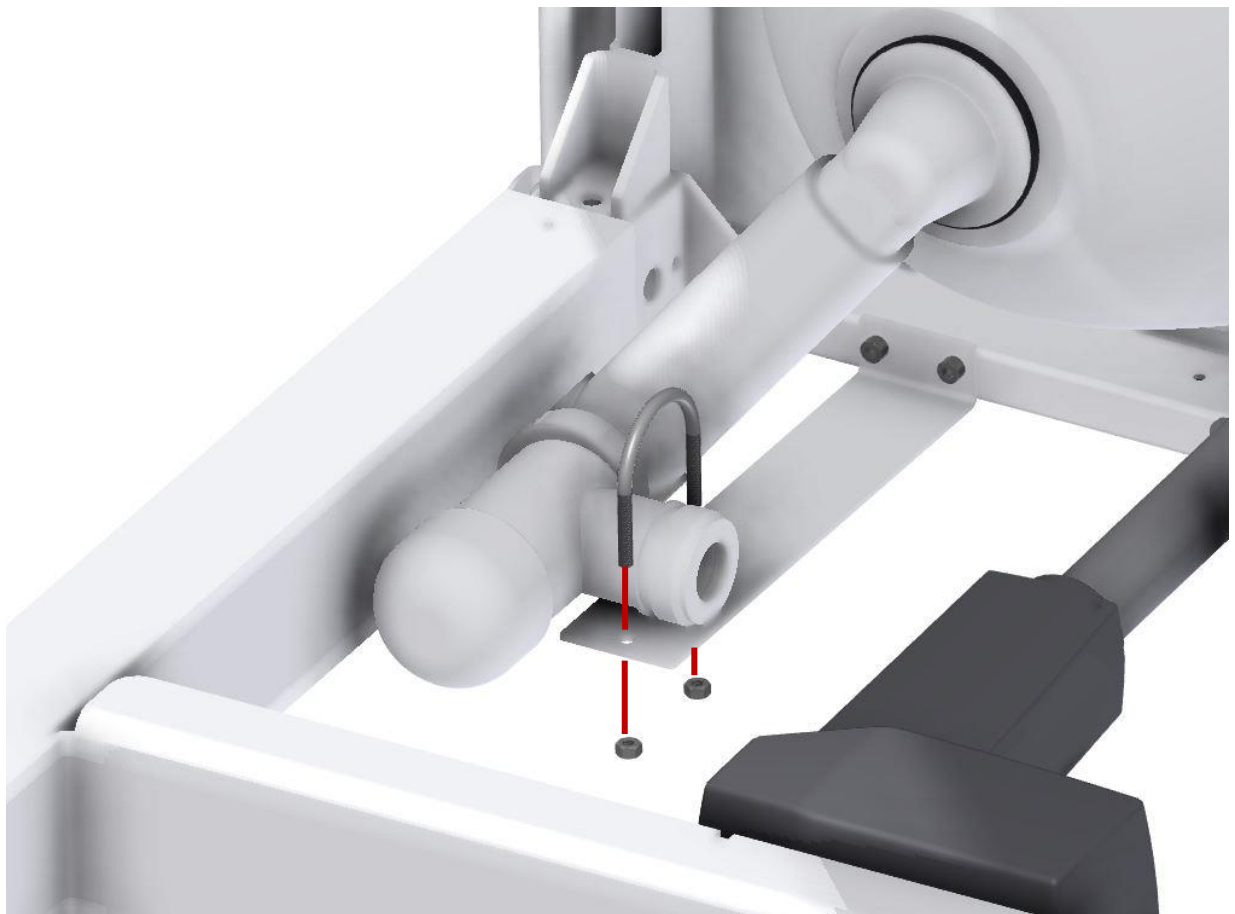


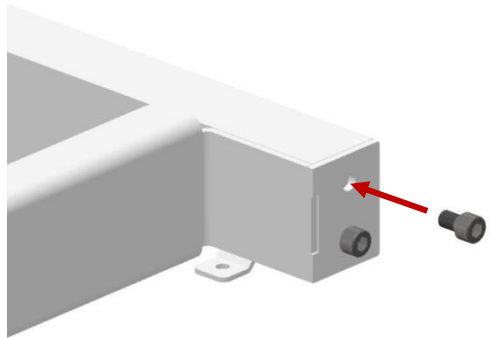
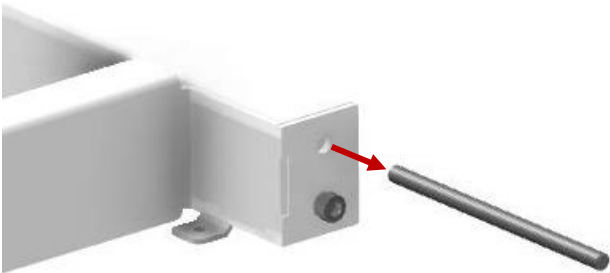
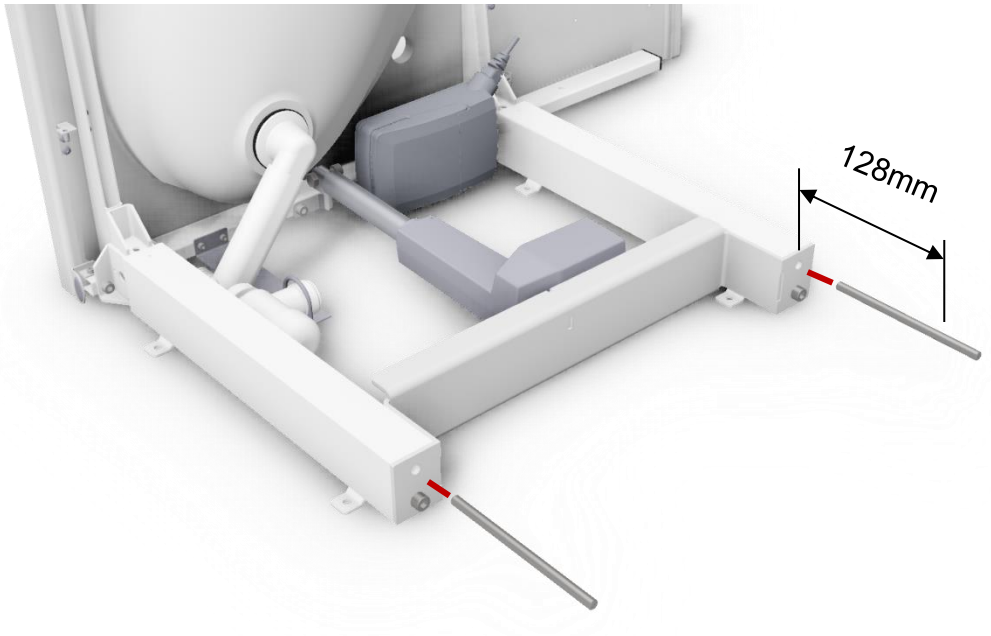


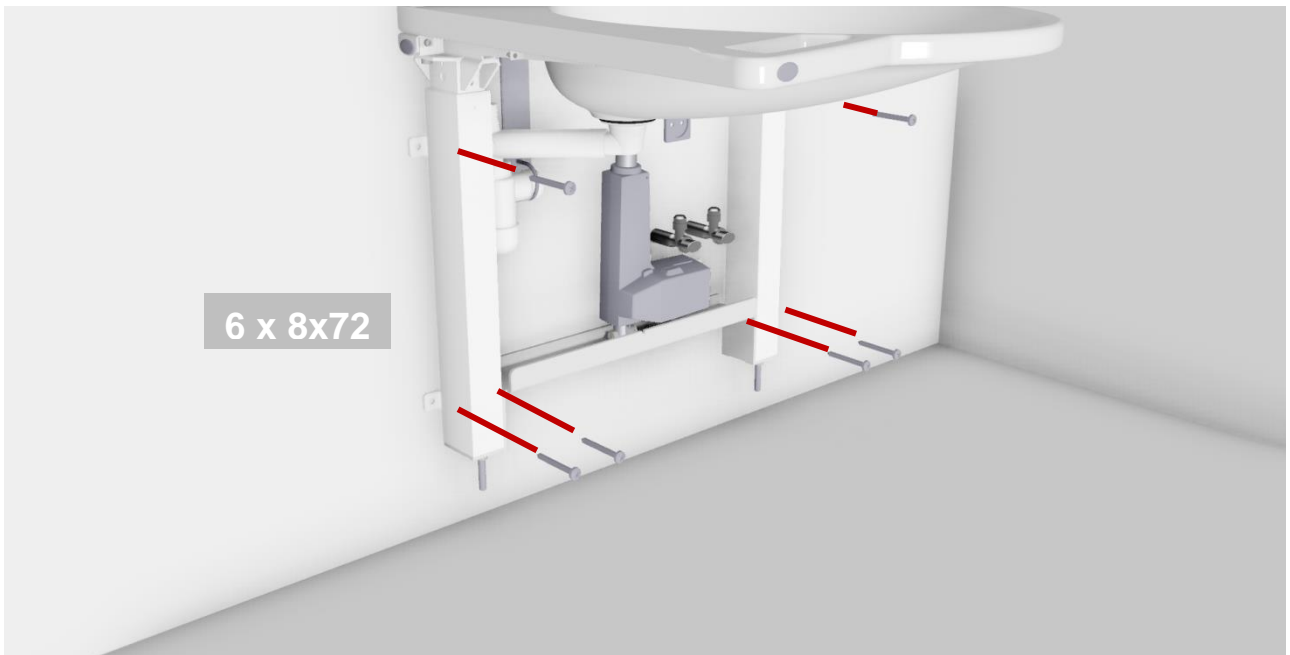
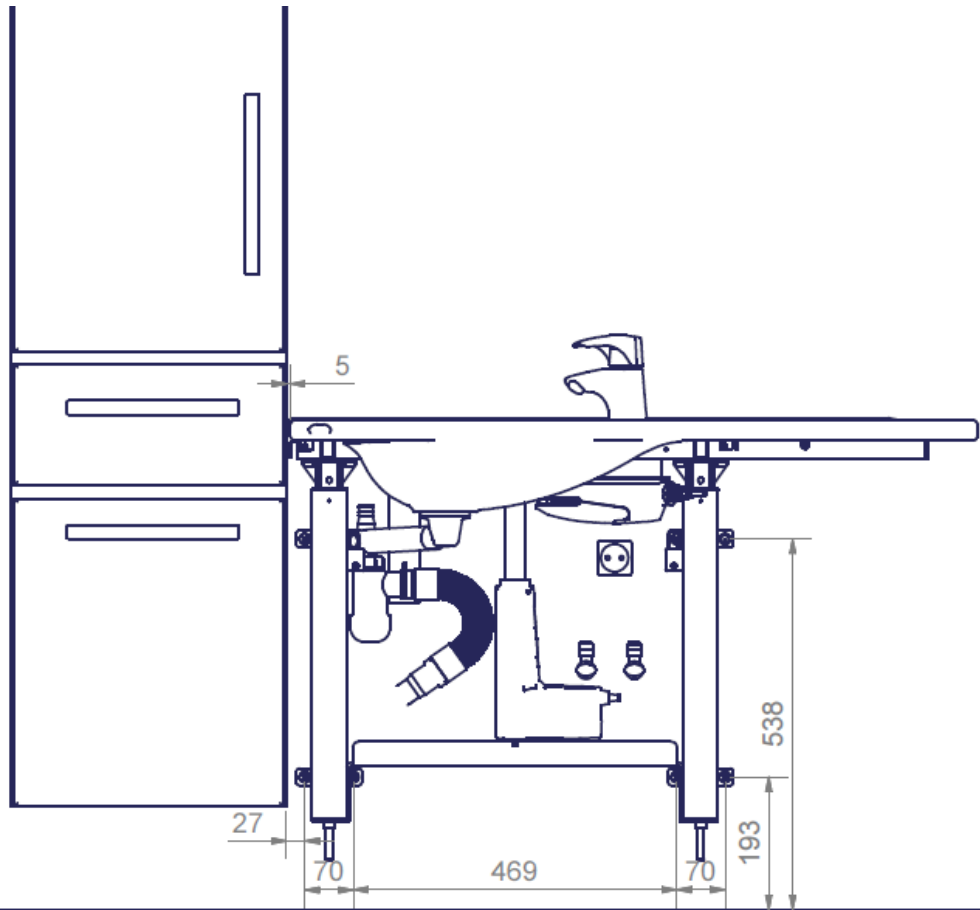


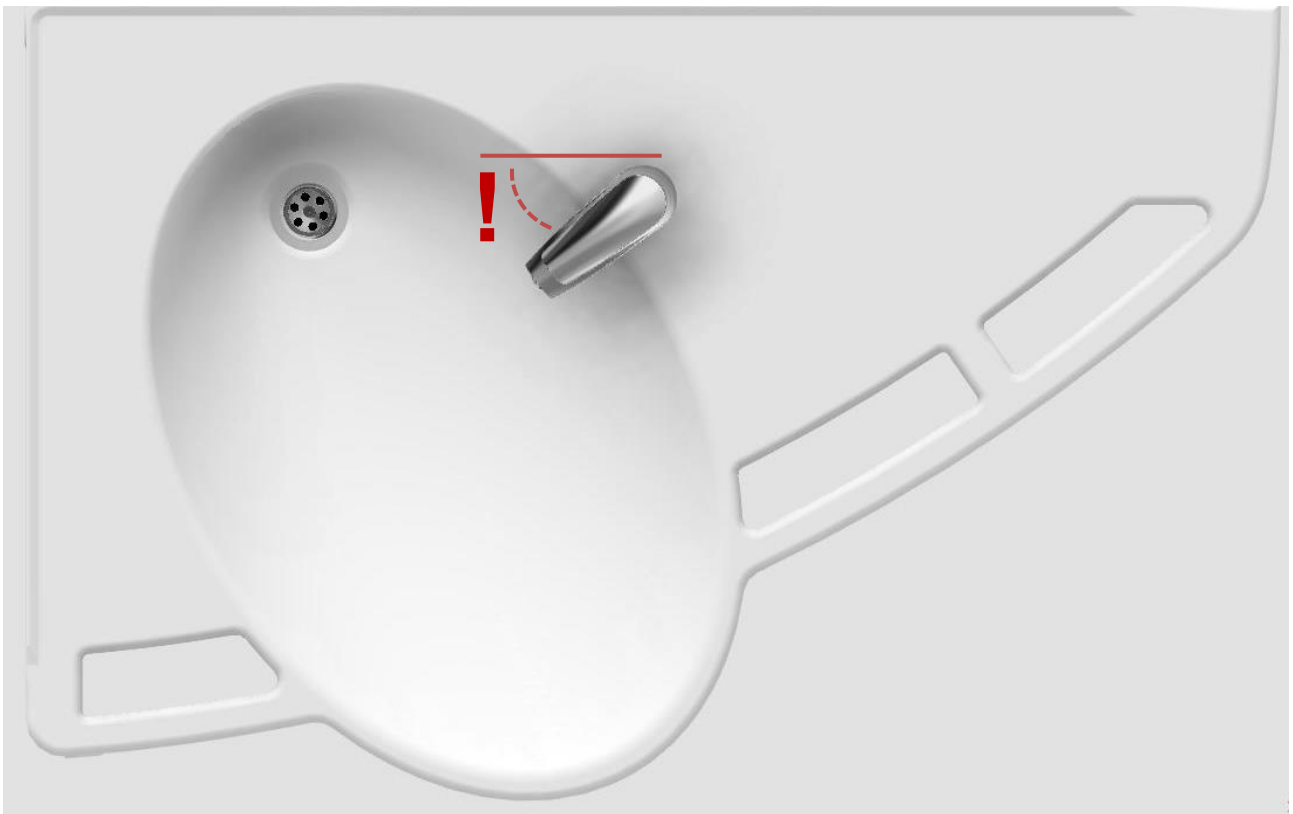




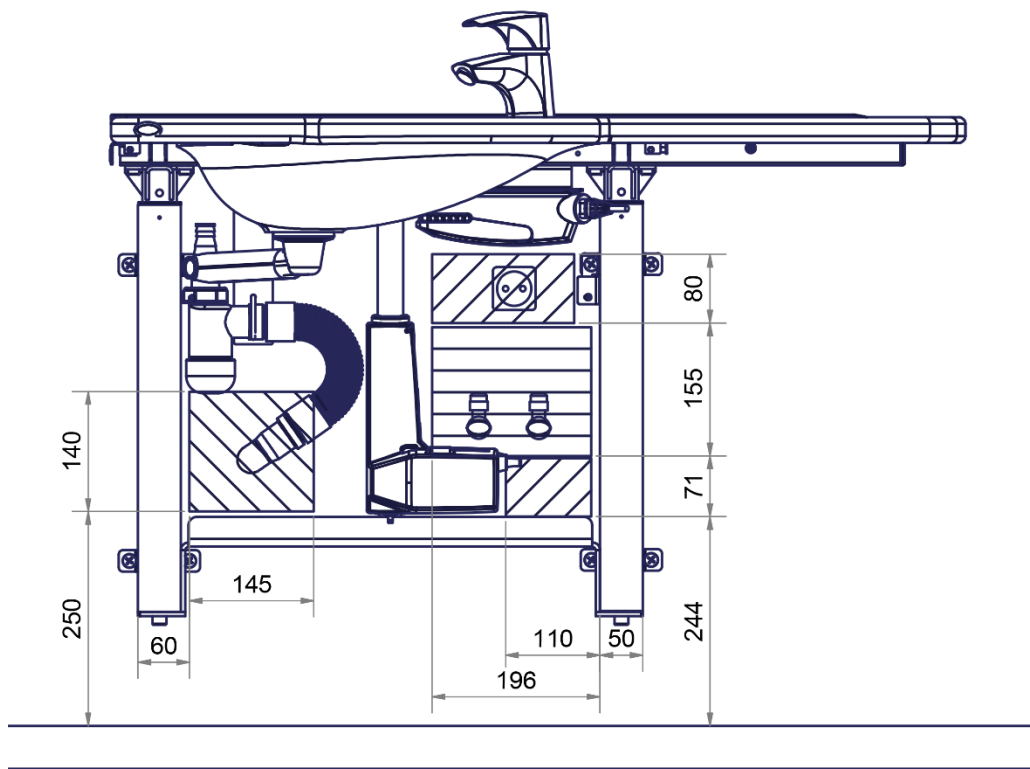








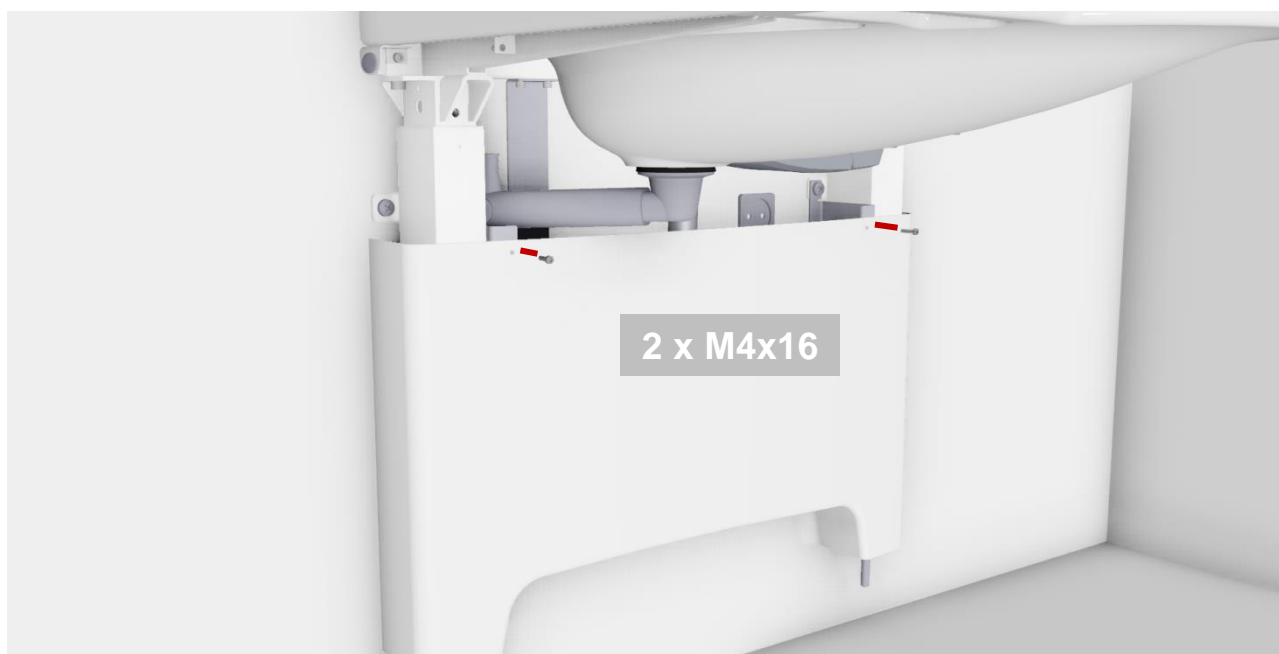
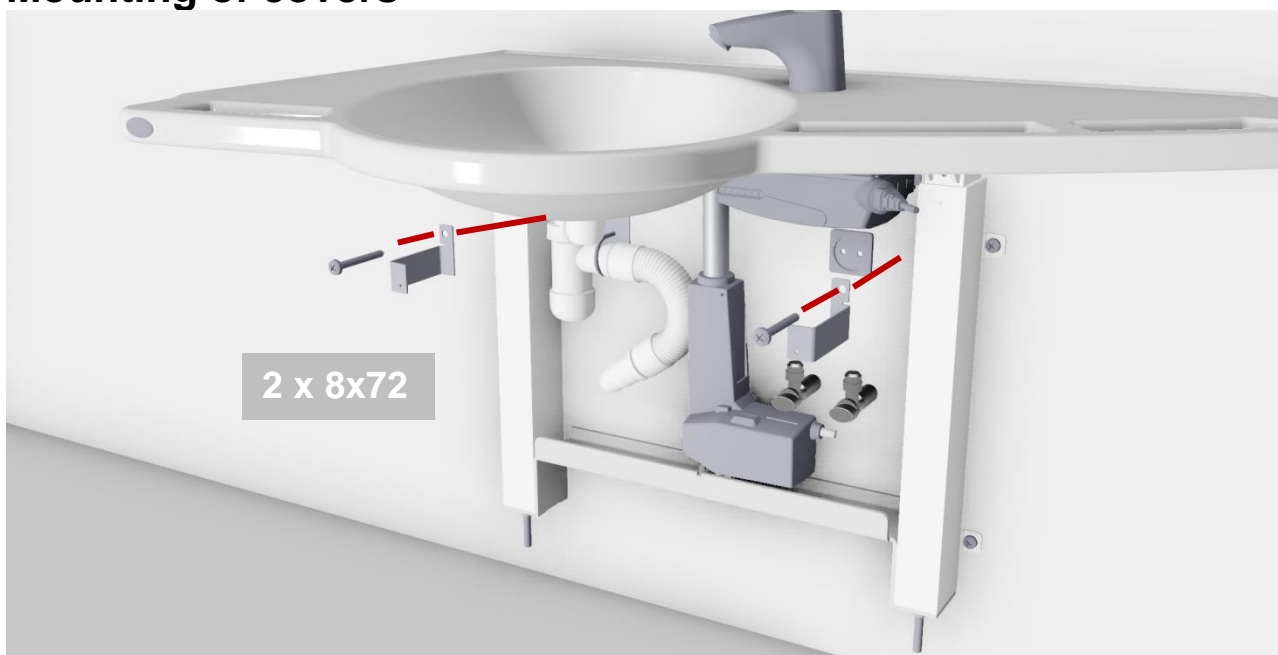




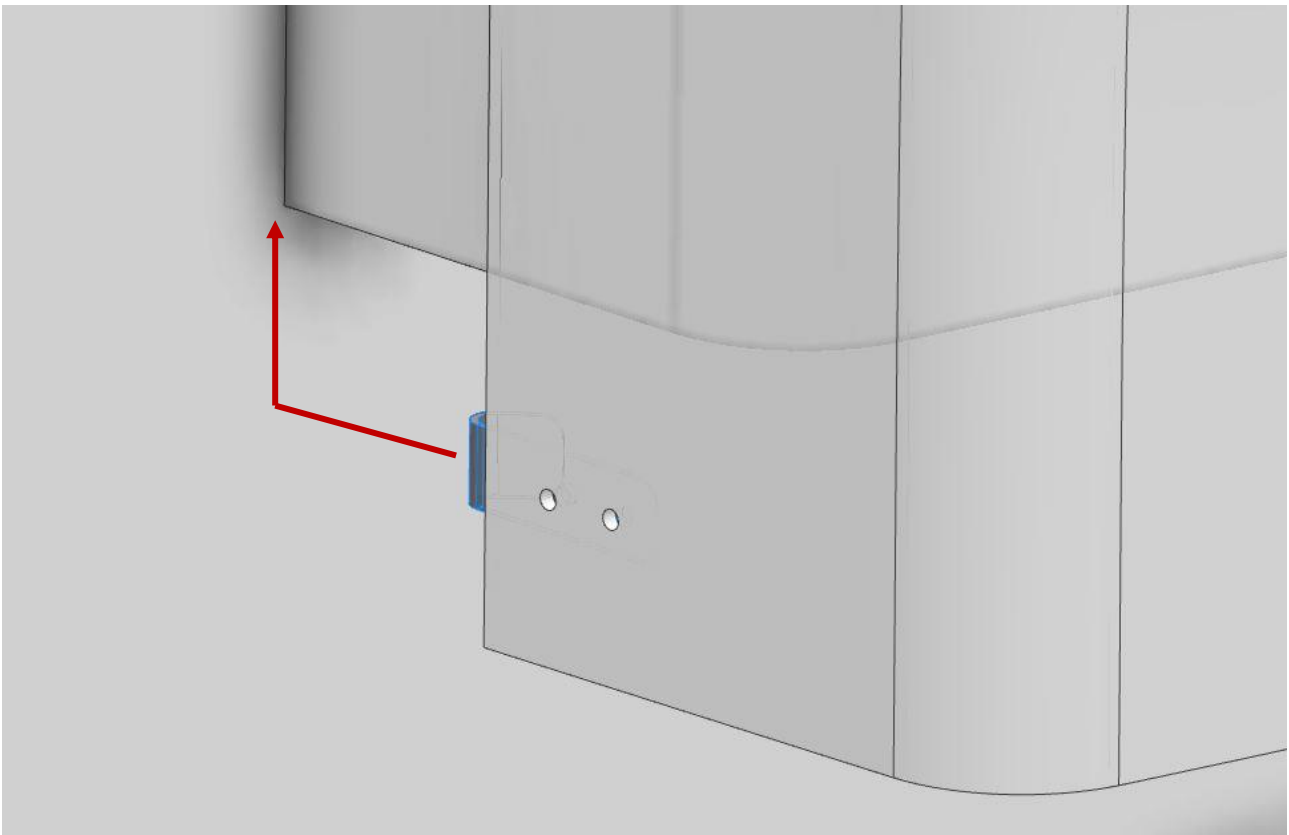
Recommended  
fixation of the  
hoses and wires

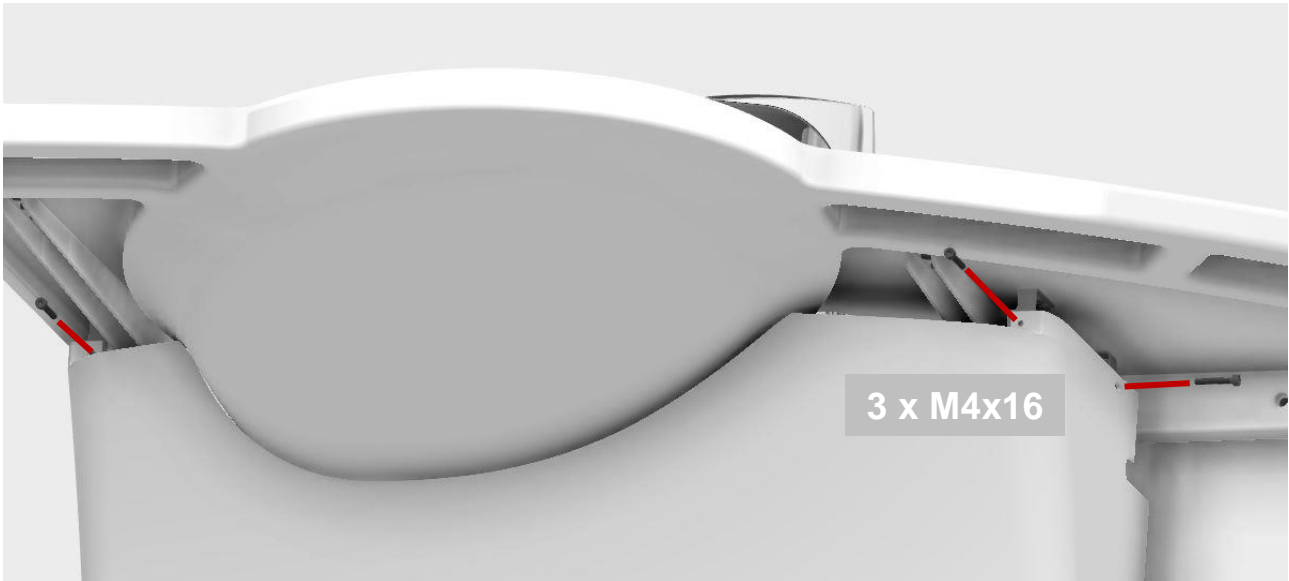


## Mounting of covers







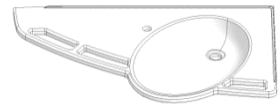


## 8. List of components

### Ropox Support Washbasin Electric, left, 40-44006:

40\*44010-064: Top plate with washbasin, left-oriented

1 (one)



Incl.

Top frame, left oriented

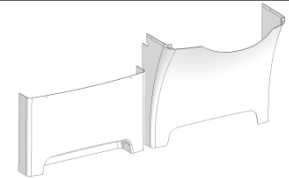
1 (one)



---

40-44023: Cover

1 (one) set

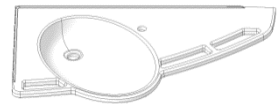


---

### Ropox Support Washbasin Electric, right, 40-44017:

40\*44010-070: Top plate with washbasin, right-oriented

1 (one)



Incl.

Top frame, left oriented

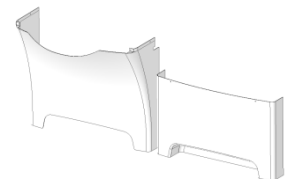
1 (one)



---

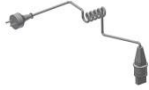






40-44024: Cover

1 (one) set



## Common parts

30-67636:	Flexi legs	2 (two) sets	
40*44016-003:	Motor bracket	1 (one)	
40*44016-023:	Siphon plate	1 (one)	
40*44016-012:	Bottom bracket	1 (one)	
97000483:	Motor	1 (one)	
40*44016-204:	Control box bracket	1 (one)	
97001691:	Control box CA30	1 (one)	
40*44016-024:	Siphon hanger	1 (one)	
40*44010-094:	Adjustment foot M10	2 (two)	
97001655:	Hand control	1 (one)	
97001738:	Motor cable L=1000mm	1 (one)	
97000429:	Blind plugs	3 (three)	

97000427:	Control box cable	1 (one)	
97001601:	Siphon	1 (one)	
97001125:	Connecting hose, 1/2" x 1/2", 50 cm	2 (two)	
97001012:	Coupling piece 1/2"to 3/8"	2 (two)	
97001035:	ø32x88.5° angle	2 (two)	
97001162:	Flexible drain hose ø32/32 pipe stub	1 (one)	
97001706:	Mixer tap, Oras Saga Lever length 8 cm from centre	1 (one)	



**9. Options**

40-44026 Fixed control switch

1 (one)



40-40935 Ropox overflow plug

1 (one)



## 10. Performance test

After installation and prior to use, all functions of Support Washbasin must be tested. The test must be carried out by competent personnel. Subsequently the test shall be carried out at least once a year:

### Testing prior to connection of mains voltage:

1. Check that the mounting instructions have been observed.
2. Check that all bolts have been tightened.
3. Check that all cables have been connected correctly and that the plugs have been pressed home.
4. Check that there is no load on the washbasin.
5. Check that there is nothing preventing the washbasin from moving freely within the height adjustment range.

### Connect main power to control box and continue testing:

1. Press and hold the UP and DOWN buttons and keep them depressed until the control unit has beeped approx. ten times.
2. Press DOWN on the control switch, move the frame to bottom position, check that the movement is even and smooth. Make sure that the hose connections follow the movement of the frame and that they do not get squeezed. The frame is now reset.
3. Press UP on the control switch, move the frame to top position and check that the movement is even and smooth. Make sure that the hose connections follow the movement of the frame and that they do not get squeezed.

If all these tests are ok, the washbasin is ready for use. Se section 12 "Safety in use".

## 11. Positioning of control switch



The handheld control switch may be placed in one of the three grab handles or on the wall on the bracket provided.



Recommended positioning of fixed control switch (option) as illustrated. If another location is required, please state when ordering.

## 12. Safety instructions

- The height adjustment of Ropox Support Washbasin Electric should only be operated by persons who have read and understood these instructions.
- Do not use Ropox Support Washbasin Electric as a lifting table or person lifter.
- Always use the washbasin in a manner excluding the risk of damage to persons or property. The person operating the washbasin is responsible for avoiding damage or injury.
- If the washbasin is used in publicly accessible locations where children or persons with reduced observation capacity may get near it, the person operating the washbasin must pay attention to those present in order to prevent dangerous situations.
- Make sure that there is free space above and underneath the washbasin to allow height adjustment.
- Do not overload the washbasin and make sure that the load distribution is correct.
- Do not operate the washbasin in case of defects or damage.
- Modifications, which may influence the operation or construction of the washbasin, are not allowed.
- Installation, service and repairs should always be carried out by competent personnel.
- During inspections, service or repairs load should be removed from the washbasin.

## 13. Cleaning

### 13.1 Cleaning, frame

The frame may get dirty during use. It is very important to clean the washbasin as described in these instructions.

Simply dry the frame with a wrung cloth with lukewarm water and a customary cleaning agent. Do not use etching/grinding fluids or grinding cloths, brushes and sponges

### 13.2 Cleaning, washbasin

The washbasin is made of a composite material of marble and synthetic granulates with a gel coat surface. This gives a hard and hardwearing finish, which is easy to keep clean. Wash the surfaces daily and dry with a cloth. Do not use cleaning agents containing abrasives, e.g. steel wool, scouring powder or sulphur acid.

If the water is calcareous, deposits may occur. Remove these calcareous deposits once a week with a cleaning agent containing citric acid, ethanoic acid or phosphoric acid. Leave the cleaning agent for 5-10 minutes, depending on the thickness of the deposits, and clean with a soft sponge.

Disinfection of the washbasin may be made using customary disinfectants.

### 13.3 Maintenance

The frame is maintenance-free and the moving parts have been lubricated for life. For reasons of safety and reliability we recommend inspection of the frame once a year.



Inspections, service and repairs must be carried out by competent personnel

#### During inspections:

- Check that all bolts have been tightened.
- Check that the frame moves freely from bottom to top position without problems.
- **Resetting the washbasin:** Press DOWN on the control switch and move the frame to bottom position. Press DOWN once more and keep the switch depressed for 5 sec. to reset the control unit. Check that the movement is even and smooth. Make sure that the mains cable moves freely.
- Check that water and waste pipes are tight and undamaged.
- Check that all cables have been fitted correctly and are undamaged.

After each inspection the service schedule shall be filled in. See item 13.4.



Only use Ropox original spare parts as replacement parts. If other parts are used, the guarantee may become void.

13.4 Service schedule, operation and maintenance

<b>Service and maintenance Serial No.</b>
<b>Date:</b> _____
<b>Signature:</b> _____
<b>Remarks:</b> _____ _____ _____

<b>Service and maintenance Serial No.</b>
<b>Date:</b> _____
<b>Signature:</b> _____
<b>Remarks:</b> _____ _____ _____

<b>Service and maintenance Serial No.</b>
<b>Date:</b> _____
<b>Signature:</b> _____
<b>Remarks:</b> _____ _____ _____

<b>Service and maintenance Serial No.</b>
<b>Date:</b> _____
<b>Signature:</b> _____
<b>Remarks:</b> _____ _____ _____

<b>Service and maintenance Serial No.</b>
<b>Date:</b> _____
<b>Signature:</b> _____
<b>Remarks:</b> _____ _____ _____

<b>Service and maintenance Serial No.</b>
<b>Date:</b> _____
<b>Signature:</b> _____
<b>Remarks:</b> _____ _____ _____

<b>Service and maintenance Serial No.</b>
<b>Date:</b> _____
<b>Signature:</b> _____
<b>Remarks:</b> _____ _____ _____

<b>Service and maintenance Serial No.</b>
<b>Date:</b> _____
<b>Signature:</b> _____
<b>Remarks:</b> _____ _____ _____

## 14. Fault finding

Problem	Remedy
The washbasin does not move up or down when the control switch is pressed	Check whether <ul style="list-style-type: none"> <li>• 230V has been connected and current is available,</li> <li>• the motor has been connected with the control unit,</li> <li>• the control switch has been connected with the control unit,</li> <li>• the motor is overloaded (note: 2 min. operation, 2 min. pause)</li> </ul>
Control switch defective	Check whether <ul style="list-style-type: none"> <li>• the height adjustment works with another control switch</li> </ul>
When pressing the UP and DOWN buttons you only hear "clicks" from the control unit, the washbasin does not move	<ul style="list-style-type: none"> <li>• The plugs may not have been inserted correctly.</li> <li>• Dismount all cables from the control unit and insert them again.</li> <li>• Resetting may be required.</li> </ul>
The washbasin seems unstable	<ul style="list-style-type: none"> <li>• Tighten all screws of the pedestal, cf. mounting instructions.</li> </ul>
The washbasin cannot be adjusted in height or height adjustment is very difficult	<ul style="list-style-type: none"> <li>• Make sure that there are no objects preventing height adjustment.</li> </ul>
It takes too long for the water to leave the washbasin	Check the siphon for clogging-up and clean, if required. Check that the flexible hose has not been fitted on the wall at a height resulting in the formation of an extra siphon, cf. recommendations in "Installation interfaces"

### Resetting:







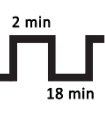


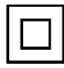


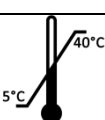
Press and hold the UP (▲) and DOWN (▼) buttons and keep them depressed until the control unit has beeped approx. ten times. Now adjust the washbasin to the bottom position for resetting.

## 15. Marking

### Label



Each washbasin has a label of its own as illustrated. This label contains important information to be stated in connection with inquiries to the supplier



	<p>This product is CE-marked in accordance with:</p> <p>European Medical Device Directive 93/42/EEC, including amendments incorporated in Directive 2007/47/EEC.</p> <p>European Medical Device Regulation (EU)2017/745</p>
	<p>Manufacturer name and address</p>
	<p>Date of production</p>
	<p>Stock number</p>
	<p>Serial number</p>
	<p>Consult manual before use</p>
	<p>Operating interval of electrically operated equipment. The use of electrical height adjustable equipment can run at maximum 2 minutes, followed by an 18-minute break.</p>
	<p>Type B applied part. The product complies with IEC 60601-1 requirements to provide protection against electric shock.</p>
	<p>Consult manual for important safety related information, warnings and safety precautions.</p>
	<p>Class II, double isolated electrical components.</p>
	<p>Do not dispose as unsorted municipal waste. Product must be returned to a designated recycling station.</p>
	<p>Mobile phones or other portable RF emitting equipment should be no closer to the product than 30cm.</p>
	<p>Operating and storing temperatures may not exceed 5-40C°</p>



## 16. Spare parts

<b>Handheld control switch</b> Item No. 97001655	
<b>Motor</b> Item No. 97000483	
<b>Control unit</b> Item No. 97001691	

## 17. Complaints

See General Terms of Sale and Delivery on [www.ropox.dk](http://www.ropox.dk)



**ROPOX A/S**

Ringstedgade 221  
DK – 4700 Næstved

Tel.: +45 55 75 05 00 Fax.: +45 55 75 05 50

E-mail: [info@ropox.dk](mailto:info@ropox.dk)

[www.ropox.dk](http://www.ropox.dk)