

4SingleElectric

User Manual

Mounting Instructions

Keep this folder with product at all times!

Contents

1. INTRODUCTION	3
2. CONFORMITY WITH EU-DIRECTIVES	3
3. APPLICATION	3
4. TECHNICAL DATA	4
5. SCHEMATIC DIAGRAM OF FRAME	5
6. MOUNTING INSTRUCTIONS, DESCRIPTION	7
6.1 <i>Assembly of frame</i>	7
6.2 MOUNTING OF SAFETY STRIP	9
6.3 PERFORMANCE TEST	10
7. LIST OF COMPONENTS	11
8. OPTIONS	12
9. SAFETY IN USE	13
10. CLEANING/MAINTENANCE	14
10.1 <i>Cleaning of frame</i>	14
10.2 <i>Maintenance</i>	14
10.3 <i>Service schedule, operation and maintenance</i>	15
11. TROUBLE SHOOTING	15
11.1 <i>The frame seems loose or unstable</i>	15
11.2 <i>The height of the frame cannot be adjusted (adjustment seems very difficult)</i>	15
11.3 <i>The frame does not move straight</i>	15
12. COMPLAINTS	16

1. Introduction

4Single is a multi-function table, which may be adjusted electrically to suit seated or standing activities. Owing to the unique design there are a variety of applications and the table is therefore also ideal for wheelchair users.



This document must ALWAYS accompany the product and be read by and available to users.



This appliance is not intended for use by persons (including children) with reduced physical, sensory or mental capabilities, or lack of experience and knowledge, unless they have been given supervision or instruction concerning use of the appliance by a person responsible for their safety.
Children should be supervised to ensure that they do not play with the appliance.

All users must follow these instructions. It is very important that the instructions have been read and understood prior to operation of the product.

The instructions should always be available to the user and must accompany the product in case of relocation.

Correct use, operation and inspection are decisive factors for efficient and safe performance.



This product is electrically adjustable in height, which means that there is a risk of trapping. The operation must therefore be made or supervised by an adult, who has read and understood the importance of section 9 "Safety in use".

The frame is provided with an infrared remote control, which must always be kept out of reach of children.

2. Conformity with EU-Directives

This product has CE-marking and meets the safety requirements of the Machinery Directives.

If the table frame is assembled with or is an integral part of other electrical components it will be considered a new unit. Therefore, the assembled product must be subjected to a risk assessment to obtain CE-marking.

3. Application

4Single is designed to obtain optimum working height for the user. It is an activity table and should therefore not be used as a lifting table or person lifter.

The product must be used indoor, under normal room temperatures and humidity as stated in section 4. 4Single is not designed for use in damp rooms.



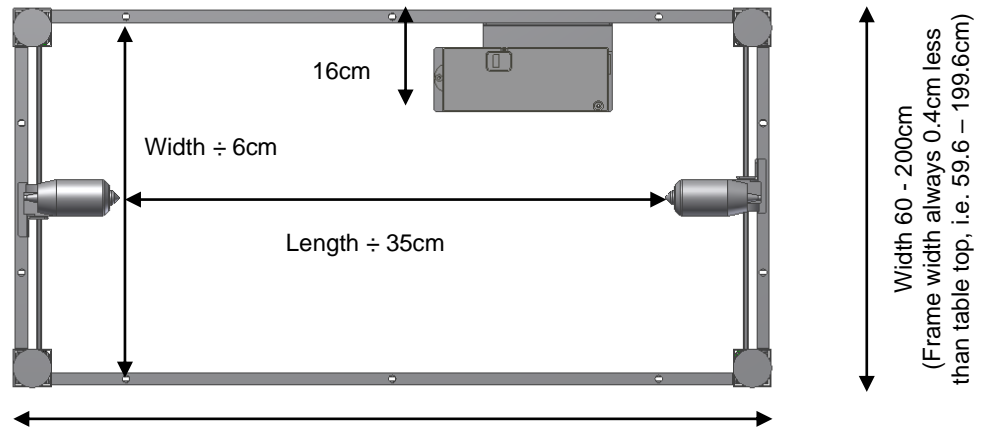
The control unit has IP32/II protection and must always be installed in accordance with the low voltage directive or corresponding national or international legislation.

4. Technical data

Product name:	4SingleElectric
Item number:	Set of legs, Electric
	Height 55-85 cm H1 50-41120
	Height 65-95 cm H2 50-41220
	Front fascias for frame L = xxx cm 50-43xxx From 60-300cm at increments of 1cm
	Side fascias for frame W = xxx cm 50-45xxx From 60-200cm at increments of 1cm
Options:	Wheels: Increase the table height by 6.5cm Flexible safety strip
Material:	Welded steel tubes St. 37 and various plastic components
Surface treatment:	Blue chromate, powder coating: Standard CWS 81283 RAL 7021 mat
Power supply:	220-230V~ / 50-60Hz, 5,0A
Standby primary:	0,3W
Control voltage:	24VDC
Duty circle:	Max. 10% conform to 2 min. active / 18 min. pause
Max. load of frame:	150kg evenly distributed
Speed/lifting time:	Approx. 32 ^{mm} / _{sec.} – approx. 10sec.
Increased load of frame:	250 kg evenly distributed (option)
Speed/lifting time:	Approx. 12 ^{mm} / _{sec.} - approx. 25sec.
Temperature:	5-45°C
Air humidity:	5-85% (non-condensing)
Complaints:	See Complaints, page 15
Producer:	Ropox A/S, DK-4700 Naestved, Tel.: +45 55 75 05 00 e-mail: info@ropox.dk - www.ropox.com

5. Schematic diagram of frame

All electrical connections to the control unit must be flexible to ensure that the table moves freely within the range of adjustment.



For table top length 60 - 300cm
(Frame length always 0.4cm less than the table top, i.e. 59.6 – 299.6cm)

Height: 55-85cm (H1)

Height: 65-95cm (H2)

Height w. wheels: + 6,5cm

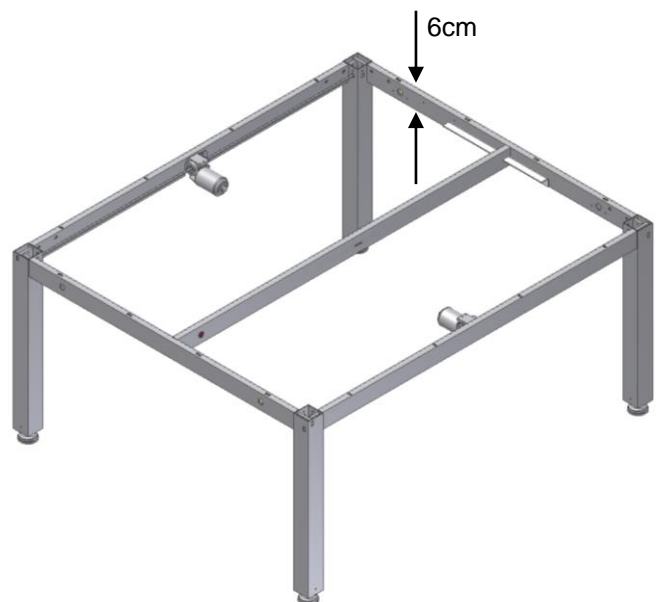
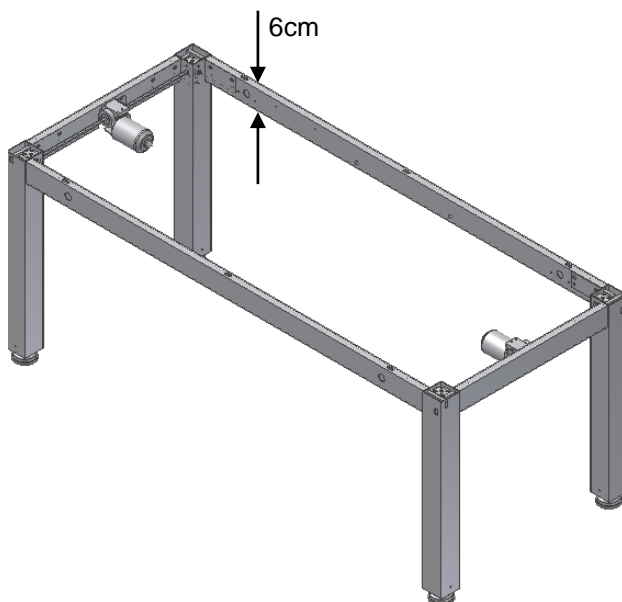


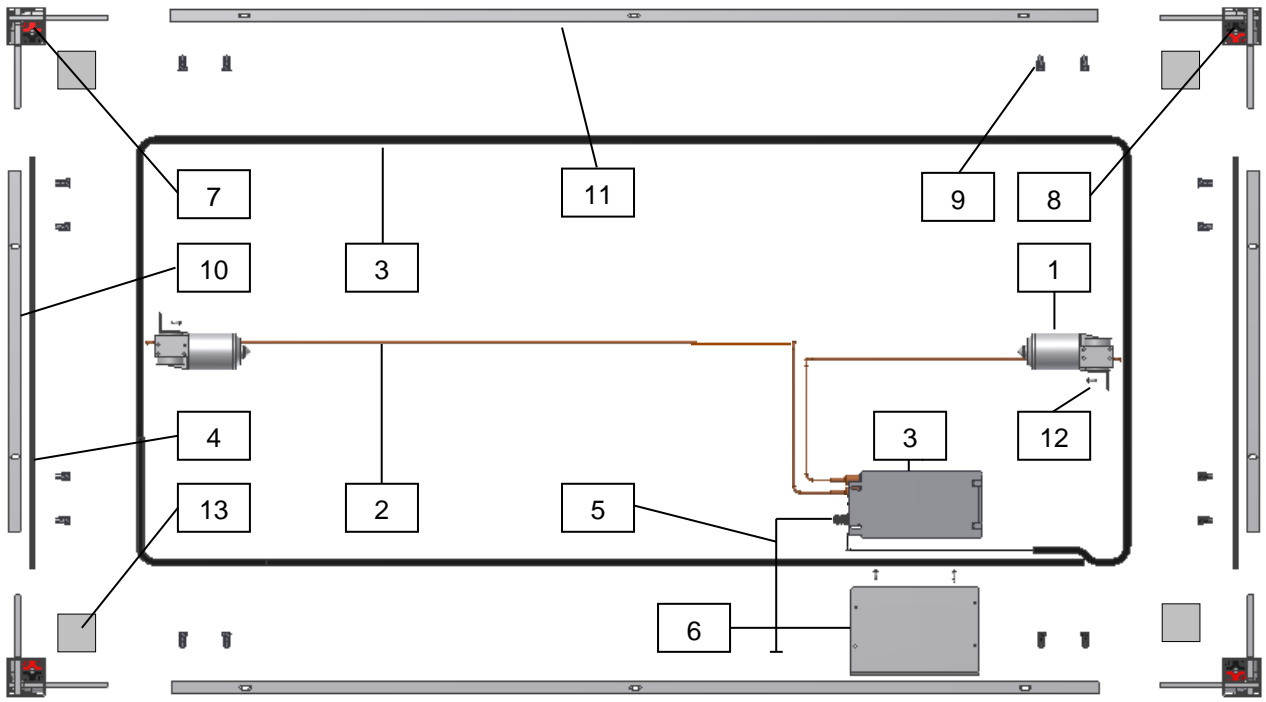
Table size without middle support:

Length 60cm - 300cm
Width 60cm - 120cm

Table size with middle support:

Length 60cm - 300cm
Width 121cm - 200cm





Component

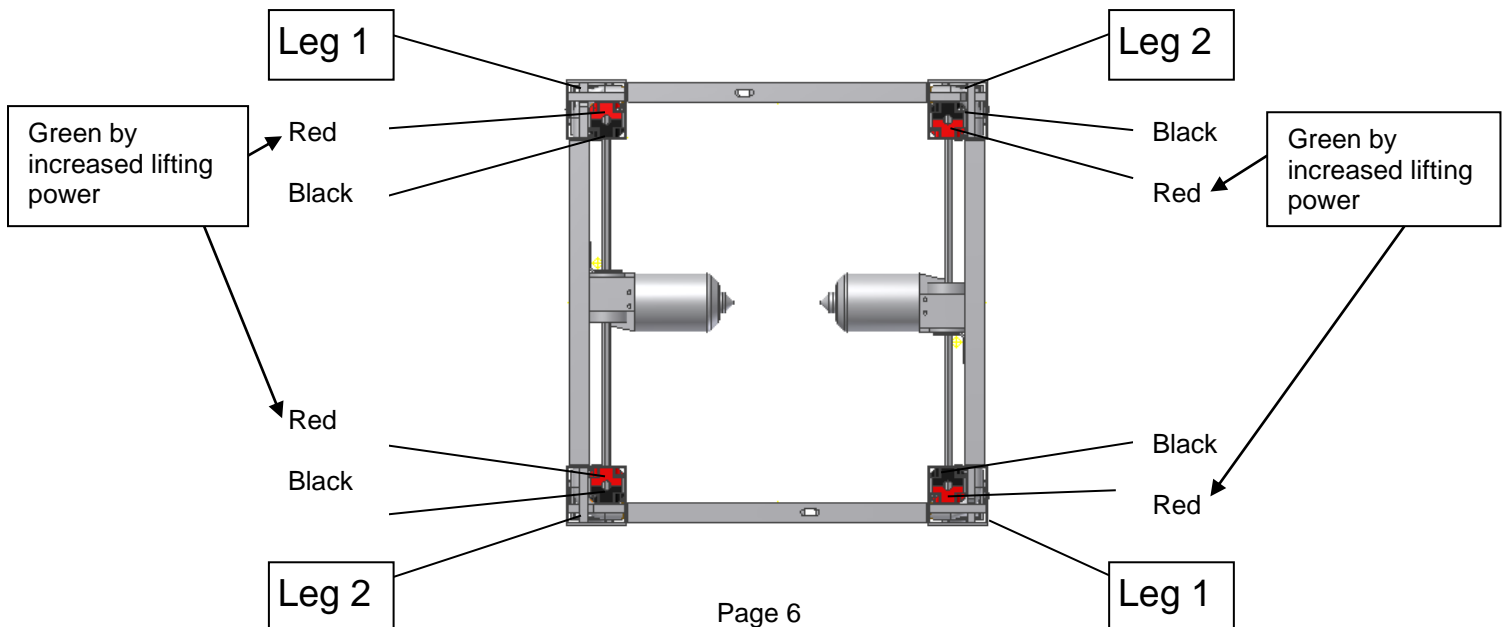
Motor 96000553 2

1. Motor cable 2m
2. Control unit
3. Side fascia shaft, Hex6. Length = frame width – 13.8cm
4. Control switch
5. Angle plate for control unit
6. Leg 1
7. Leg 2
8. Allen screw M8x16
9. Side fascia profile Length = frame width – 12.4cm
10. Front fascia profile Length = frame length – 12.4cm
11. Screw ø4.8x13, Torx
12. Cover plates

Item number

Pcs.

- | | |
|--------------|----|
| 96000573 | 2 |
| 96000591 | 1 |
| | 2 |
| 30-67840 | 1 |
| 50*40000-039 | 1 |
| | 2 |
| 95010003 | 16 |
| | 2 |
| 95091012 | 6 |
| 50*40000-025 | 4 |



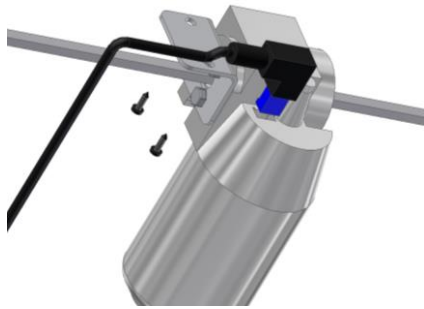
6. Mounting instructions, description



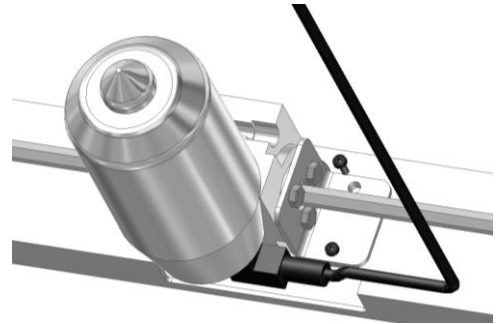
Mounting must always be carried out by competent personnel.

Prior to mounting, check that all parts have been provided. See list of components, section 7.

6.1 Assembly of frame



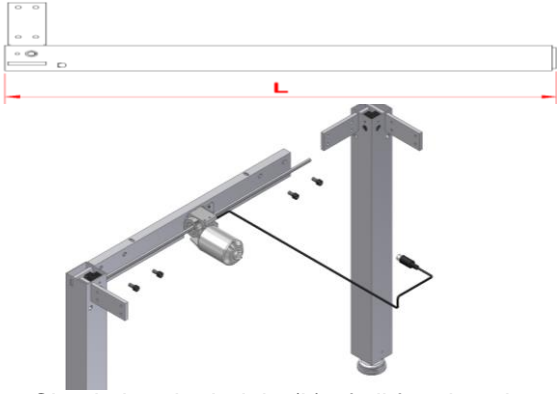
6.1.1 Mount hexagonal shaft and motor cable.



6.1.2 Mount motor on side fascia. Free cut of profile away from table top.



6.1.3 Mount the spring for retention of motor plug.



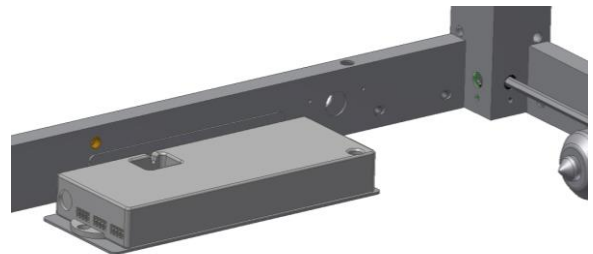
6.1.4 Check that the height (L) of all four legs is identical. May be adjusted on hexagonal shaft by means of the open-end wrench provided. Place side fascias on a plane surface and mount legs. See label on legs.



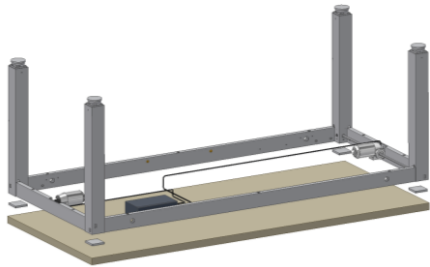
6.1.5 Now mount the two front fascias. Important: Push side and front fascias firmly against the leg before retightening the fascias. Tighten the bolts securely by means of the wrench provided.



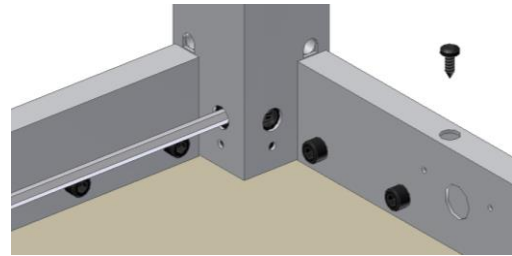
6.1.6 Position the angle plate for control unit as shown and fasten it to front fascia.



6.1.7 Attach control unit to angle plate and fasten.



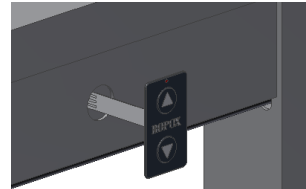
6.1.8 Place the frame on the table top and push the cover plates between legs and table top. Centre the frame in relation to the table top.



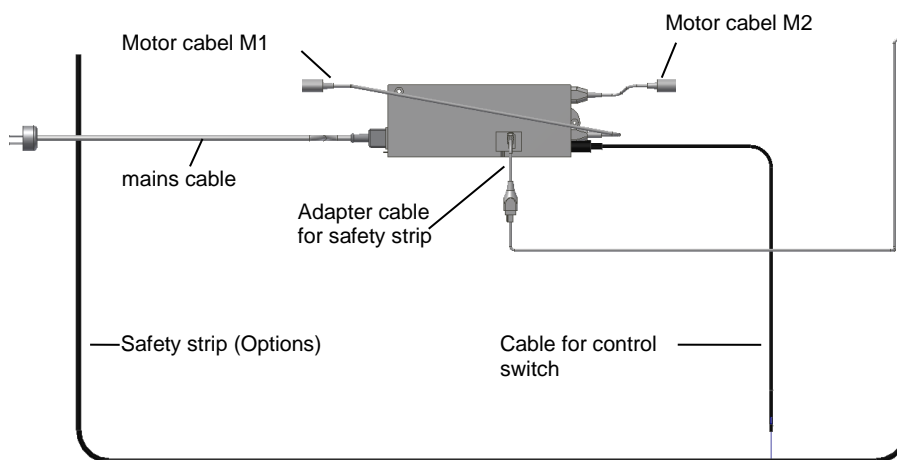
6.1.9 Fasten the tabletop with screws through the holes of the fascias.

6.1.10 Mounting of fixed control switch

Pull the cable through the front fascia and insert it into the control unit.



6.1.11 Connection to control unit



6.2 Mounting of safety strip



Option: Ropox always recommends the use of safety strips on electrically adjustable frames.



See the manual for strips provided.



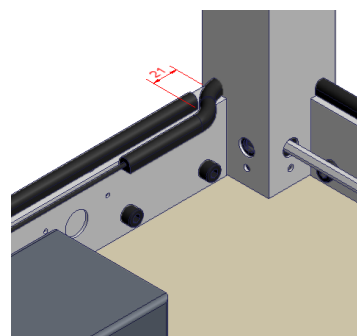
Be careful not to damage the safety strip during transportation or mounting.



If the safety strip is bent or twisted too much it may not have the intended effect.

In order to obtain optimum adhesion the surface on which the safety strip is to be attached must be clean and dry.

6.2.1 Push the safety strip through all four legs and fit it on the underside of the fascia by means of the double-adhesive tape provided. Remove the protection paper of the tape and press on the safety strip. Observe the minimum bending radius (2cm inside) See separate instructions for mounting and handling of the safety strip.



6.3 Performance test

After mounting and prior to use all functions of the table must be tested. After that a performance test must be carried out at least once a year by competent personnel:

Testing prior to switching on power:

1. Check that the mounting instructions have been observed.
2. Check that all bolts have been tightened.
3. Check that all cables have been connected correctly and that the plugs have been pressed home.
4. There must be no load on the table.
5. There must be no objects or the like preventing the table from moving freely within the range of height adjustment.

Start-up Procedure

1. Connect the net cable and turn on the power
2. Connect the motor cables to M1 and M2
3. Connect the control switch to HS
4. Press DOWN on the control switch, move the frame to bottom position, check that the movement is even and smooth. Make sure that the hose connections follow the movement of the frame and that they do not get squeezed. The frame is now reset.
5. Press UP on the control switch, move the frame to top position and check that the movement is even and smooth. Make sure that the hose connections follow the movement of the frame and that they do not get squeezed.

If a safety strip has been mounted under the tabletop it must be tested:

Press the DOWN button and let the table move 2-5cm downward while activating the safety strip. The table must now stop the downward movement, move 1-2cm upward and stop.

When all these tests have been carried out the table is ready for use.
See "Safety in use, section 9".

7. List of components

Set of legs H1, 50-41120:

1 set



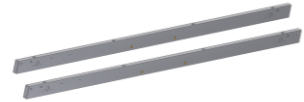
Set of legs H2, 50-41220:

1 set



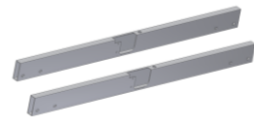
Front fascias for L=xxx cm, 50-43xxx:

1 set



Side fascias for W=xxx cm, 50-45xxx:

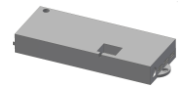
1 set



Control unit (26,5x10,5x3,7cm) 50-41500:

230VAC, incl. mains cable (300cm)

1 pc.



Contained in control unit:

Control switch, small press pad (3x6cm) 30-67840:

Control switch, standard

Incl. 150cm cable

1 pc.



Adhesive plate 96000155:

5 pcs.



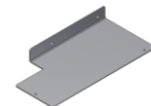
Strips black 96000165:

5 pcs.



Angle plate for control unit 50*40000-039:

1 pc.



Motor 96000553:

2 pcs.



Motor cable 96000573:

2 pcs.



Adapter cable 96000557:

2 pcs.



Allen screw M8x16 95010003:

16 pcs.



Screw ø4.8x13 95091012:

6 pcs.



Screw ø4.2x6.5 95090806:

2 pcs.



Spring 50-40000-040:

2 pcs.



8. Options

Split cable for control switch 96000629:

To be used if more than one control switch is required

1 pc.



Infrared control 30-67847:

Remote control via infrared receiver (cable 250cm)
Operational range 150-200cm

1 pc.



Safety strip 30-69xxx:

1 pc.



Brake wheels, grey (4 wheels) 50-41600:

Increase the table height by 6.5cm

1 set



Increased lifting power, set of legs H1, 50-41320:

Max. load 250kg evenly distributed
(To be ordered with main order)

1 set



For frames with increased lifting power the gear housing will be green and black

Increased lifting power, set of legs H2, 50-41420:

Max. load 250kg evenly distributed
(To be ordered with main order)

1 set





For frames with increased lifting power the gear housing will be green and black

9. Safety in use

- 4Single must only be used by persons, who have read and understood these instructions.
- The frame is provided with an infrared remote control, which must always be kept out of reach of children.
- 4Single is an electrically operated height-adjustable table and we recommend the use of a safety strip in order to prevent damage and accidents. However, even if this strip has been fitted, always make sure that there are no persons, animals or objects under the table during use.
- 4Single is an activity table and should not be used as a lifting table or person lifter.
- Always use the table in a manner excluding the risk of damage to persons or property. The person operating the table is responsible for avoiding damage or injury.
- Children or persons with reduced observation capability should only operate the table when supervised.
- If the table is used in publicly accessible locations where children or persons with reduced observation capability may get near the table, the person operating the table must pay attention to those present in order to prevent dangerous situations.
- Make sure that there is free space above and below the table to allow height adjustment.
- Do not operate the table in case of defects or damage.
- Do not overload the table and make sure that the load distribution is correct.
- Do not use the table in an explosive environment.
- In connection with inspections, service or repairs always remove loads from the table.
- When installing power or water connections, the regulations of the national authorities must be observed.
- Modifications, which may influence the operation or construction of the table, are not allowed.
- Installation, service and repairs must be carried out by competent personnel.
- If the table has not been assembled according to these mounting instructions the right to complain may become void.
- Only use Ropox original spare parts as replacement parts. If other spare parts are used, the right to complain may become void.

10. Cleaning/maintenance


10.1 Cleaning of frame

	WARNING	
The frame must NOT be connected to mains voltage during cleaning. Do NOT flush electrical components with water.		

Clean the frame with a wrung cloth with lukewarm water and a mild detergent. Do not use enchansts or abrasives or grinding cloths, brushes or sponges

Dry the frame after cleaning.

10.2 Maintenance

	Inspections, service and repairs must be carried out by competent personnel.
---	--

The frame is maintenance-free and the moving parts have been lubricated for life. For reasons of safety and reliability we recommend inspection of the frame once a year:

- Check that all bolts have been tightened.
- Check that the table moves freely and without problems from bottom to top position.
- **Resetting of frame:** Press the DOWN button and adjust the frame to bottom position. Press the DOWN button again and keep it pressed for 5 sec. to reset the control unit. Check that the movement is smooth and even. Make sure that the mains cable moves freely.
- Check that water connection hoses and draining hoses, if available, are tight and functional.
- Check that cable to hotplate, if available, is undamaged and may move freely.
- Check that all cables have been mounted correctly and are undamaged.

After each inspection, fill in the service schedule. See 10.3

Only use Ropox original spare parts for replacement of parts. If other spare parts are used, the right to complain may become void.

10.3 Service schedule, operation and maintenance

Service and maintenance Serial No.
Date: _____
Signature: _____
Remarks: _____ _____ _____

Service and maintenance Serial No.
Date: _____
Signature: _____
Remarks: _____ _____ _____

Service and maintenance Serial No.
Date: _____
Signature: _____
Remarks: _____ _____ _____

Service and maintenance Serial No.
Dato: _____
Signature: _____
Remarks: _____ _____ _____

11. Trouble shooting

11.1 The frame seems loose or unstable

- The screws assembling the frame have not been securely tightened.
- Tighten all screws, cf. mounting instructions.

11.2 The height of the frame cannot be adjusted (adjustment seems very difficult)

- Check mains voltage to control unit and that the power has been switched on.
- Check cables and plug-in connections between control unit and motors.
- Check cable and plug-in connection between control unit and control switch.
- Check connection of cables for safety strip to control unit and safety strip.
(If no safety strip has been fitted, there must be a short-circuit plug on the safety strip cable. See mounting instructions fig. 6.2.2).
- If a safety strip has been fitted:
Check that the safety strip has not been activated.
Remove the short-circuit plug from the safety strip to the Y-cable of the control unit. See mounting instructions fig. 6.2.2). If the table works without connection of the safety strip, the safety strip has been activated.

11.3 The frame does not move straight

- If the frame does not move straight, it must be **reset**, see Maintenance, section 10.2



If there has been a power failure, the table must always be reset before use.

12. Complaints

See General Terms of Sale and Delivery on www.ropox.com



ROPOX A/S

Ringstedgade 221
DK – 4700 Naestved

Tel.: +45 55 75 05 00 Fax.: +45 55 75 05 50

E-mail: info@ropox.dk

www.ropox.com