

Ropox nursing Table Medi 2



User Manual

Mounting Instructions

Keep this manual with the product at all times

Contents

Product information	3
Item numbers	3
Technical data	4
Daily use	4
Recommendations for use	5
Important information prior to mounting.....	6
Mounting Instructions	7
1.Mounting to the wall	8
Wall mounting.....	9
2. Mounting of cover	10
3. Mounting of tabletop	11
4. Connection of water and drain	12
Wiring diagram	16
Connections.....	17
Dismounting	17
Performance test.....	18
Marking	19
Label.....	19
Symbols:	19
Support	20
Fault finding	20
Waste handling.....	20
Factors affecting the product during storage and transport.....	20
Maintenance	21
Cleaning.....	21
Acessories.....	23
Complaints	26

General information

Product information



It is important to read this manual prior to mounting and use.

Product : Ropox Nursing Table Medi 2

Manufacturer: Ropox, DK-4700 Næstved, Tel. +45 55 75 05 00

Application – The height-adjustable nursing table is designed for nursing persons up to 75 kg. The nursing table may be used in private homes, care centres or the like to ensure correct and optimum working conditions for the staff/user.

The table is adjustable in height by pressing the UP and DOWN buttons of the hand-control switch.

Item numbers

Length of nursing table	Without safety stop Item number	With safety stop Item number
90 cm	50-50677	50-50678
130 cm	50-50675	50-50676



Nursing table Medi 2 – 90 cm



Nursing table Medi 2 – 130 cm

General information

Technical data

Power supply:	230V, 50Hz, max 2.0A
Standby consumption:	7W
Duty cycle:	Max. 10%, 2min/18min
Height:	Working height 60 – 100cm
Speed:	50mm/s
Material – frame:	Welded steel pipe St.37, stainless and aluminium
Tabletop:	ABS / PMMA
Surface treatment:	Powder-coated, white RAL 9010 mat, chromate
Max. load:	75 kg

CE This product is CE marked and is therefore assured to comply with the basic requirements regarding function and safety with the current Machinery and Low Voltage Directives.

The nursing table is manufactured in accordance with the following standard: DS / EN 12221-1: 2008 + A1 2013, Child care products - Changing tables for private use - Part 1: Safety requirements.

Daily use

Before using this product, connect the mains voltage as described under connections.

The height of the nursing table is adjustable by pressing the UP and DOWN buttons of the hand-control switch.



Max. load of nursing table: 75kg.

Warning !!

During height adjustment of the nursing table, there is a risk of getting jammed between table and adjacent objects.

Before using the table, ensure that there are no objects preventing movement of the table.

!! The product must NOT be operated by children!!

General information

Recommendations for use

The height adjustment allows individual working height for each carer and contributes to reducing the need for heavy lifting.

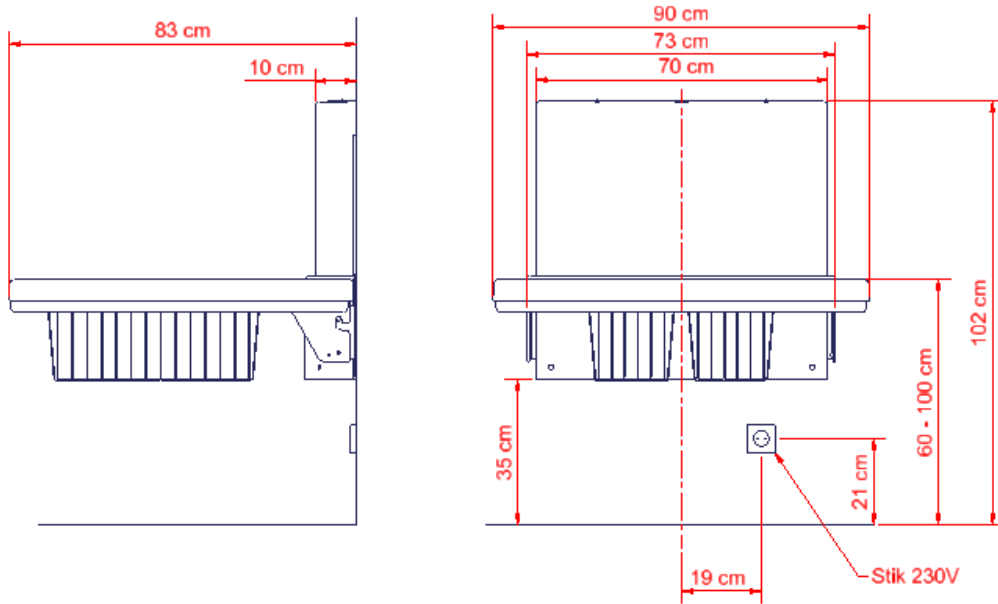
To ensure optimum utilisation of the functions of the nursing table and to avoid accidents it is important to observe these basic safety procedures.

- NEVER leave a person on the nursing table without supervision – not even for a short period of time.
- The nursing table should only be operated by adults.
- Pay special attention to persons in the room during use of the nursing table. Make sure that there are no children playing under or with the nursing table.
- Make sure that children do not operate the nursing table unintentionally.
- See that there is free space above and below the nursing table to allow height adjustment. Make sure that there are no obstacles above, below or around the nursing table in order to avoid the risk of getting jammed during height adjustment.
- If the hand-control switch is damaged or out of order, it must be replaced immediately. The buttons are of the “press and keep pressed” type. The motor stops when you let go of the button. This is an important safety factor.
- If two nursing tables have been mounted in the immediate vicinity of each other, it is recommended to fit a side cover between them to avoid the risk of getting jammed.
- During mounting, consider the jamming risk.

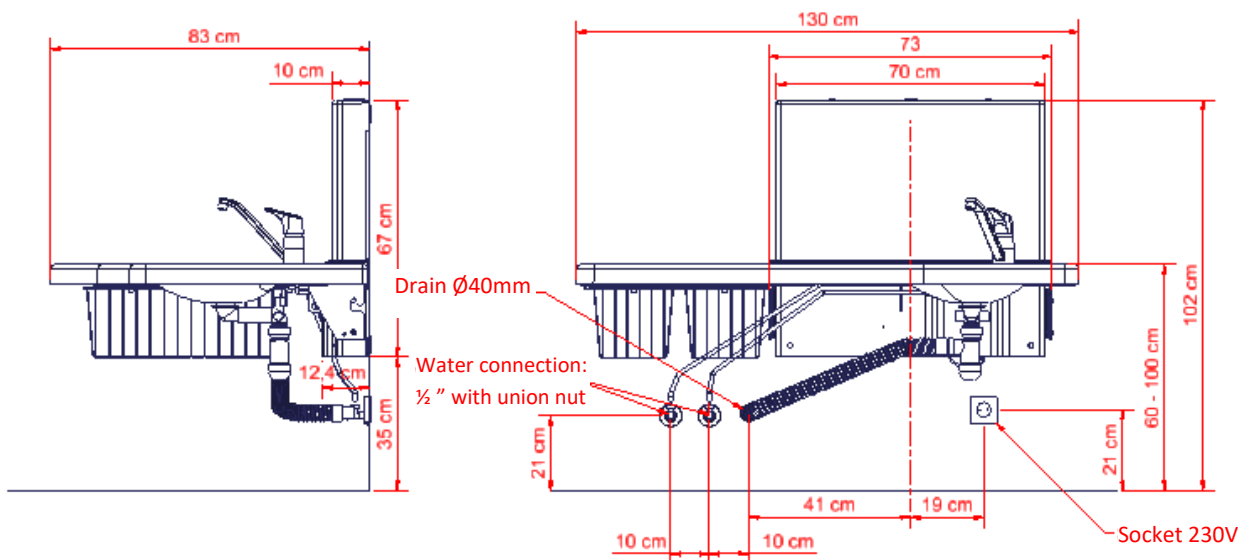
Mounting instructions

Important information prior to mounting

Dimension sketch of nursing table Medi 2:



Nursing table Medi 2, 90 cm

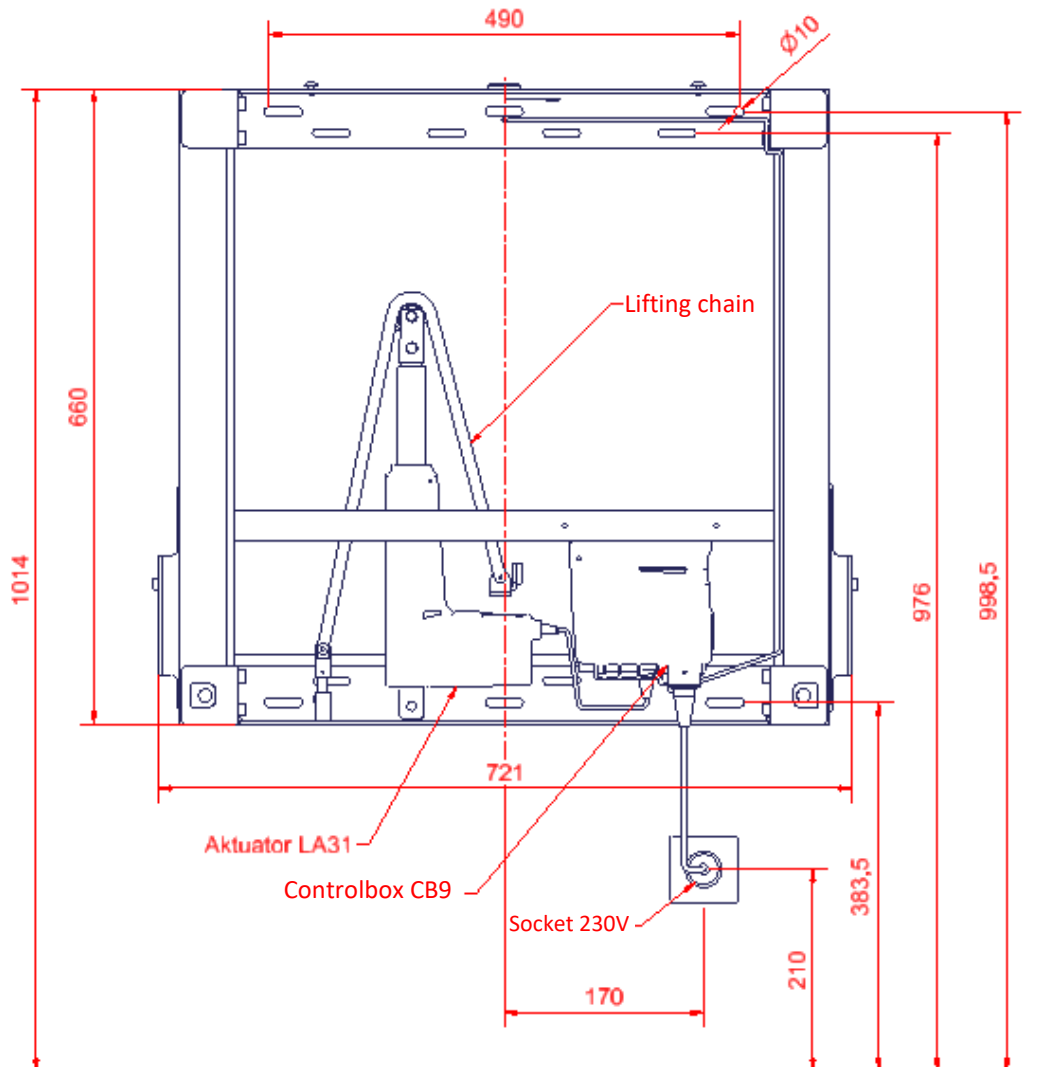


Nursing table Medi 2, 130 cm

Mounting instructions

These mounting instructions comprise:

Lifting unit	x1	Rawplugs	x7
Cover for lifting unit	x1	Bolt M5 x 25	x6
Tabletop	x1	Bolt M4 x 10	x9
Drain hose	x1	Bolt M8 x 20	x2
Assembly bolts	x7		



Mounting Instructions

1. Mounting to the wall

The nursing table is being supplied with a set (8 pcs) of screws and rawlplugs, which is ONLY used to mount the unit in a concrete wall. The installer must always examine the material, condition and strength of the wall and use appropriate screws and rawlplugs.

Nursing table has a max user weight of 75 kg.

Maximum load in the top screws are 26kg for each screw.

If you have other objects mounted right next to this nursing table, you have to consider the risk of trapping, and therefore consider a safe distance to other objects.

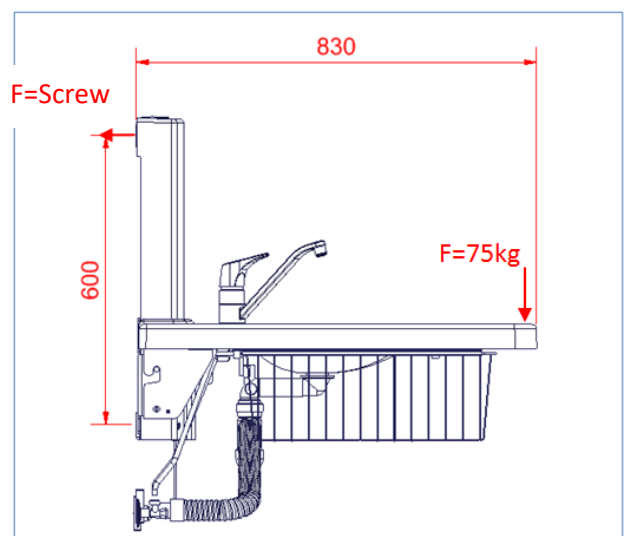
The holes for fastening can be marked up on the wall, four possibilities in the top, and four in the bottom of the frame. Place the frame against the wall and make sure it is horizontal. The frame is standing on two adjustable feet. The holes in the frame are all \varnothing 10 mm. Remove the frame and drill the holes.

Make sure that no dust or other obstacles are interfering with the rollers, chain, sprocket or gas springs. This can cause malfunction and damage the system

Force for each of the four screws in top of the unit:

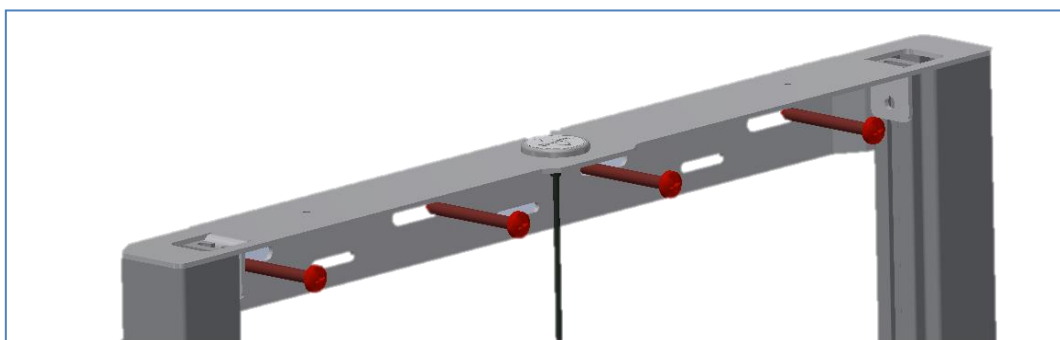
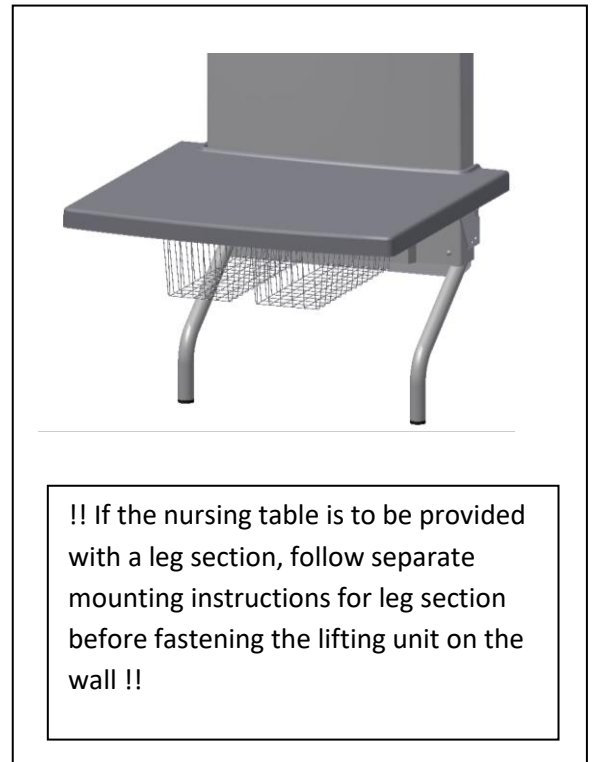
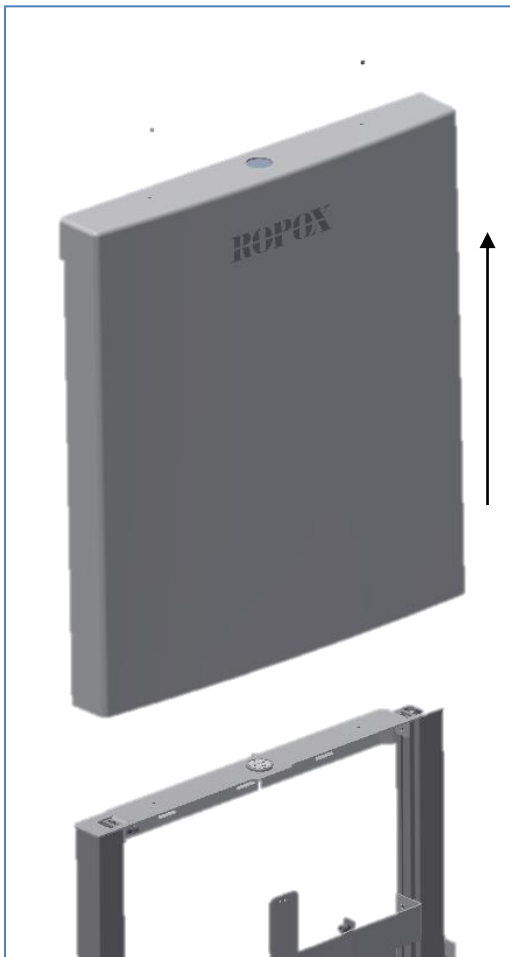
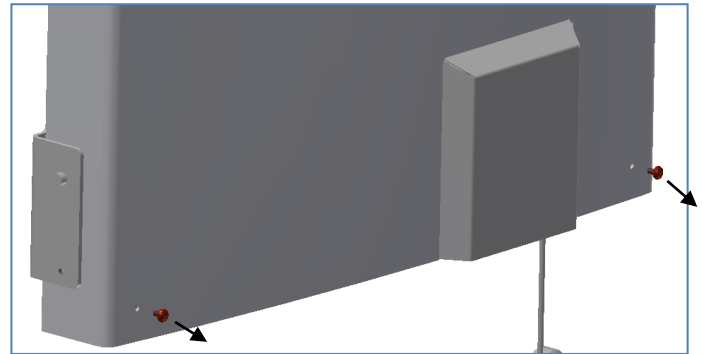
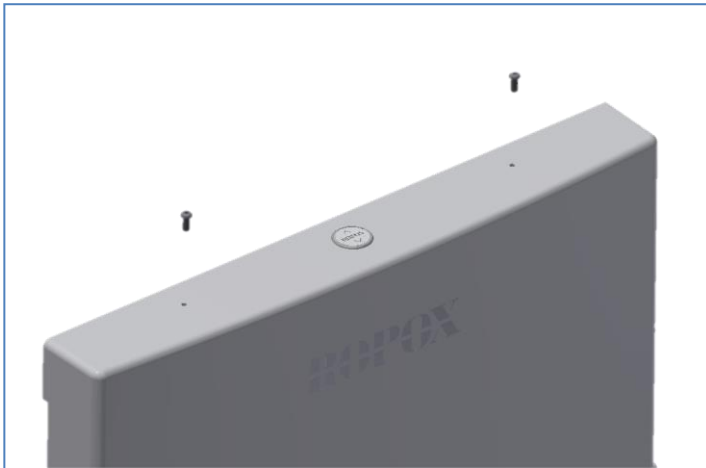
$$F_{\text{screw}} = (75 \text{ kg} * 830) / (790 * 4 \text{ screws})$$

$$F_{\text{screw}} = 26 \text{ kg for each screw}$$

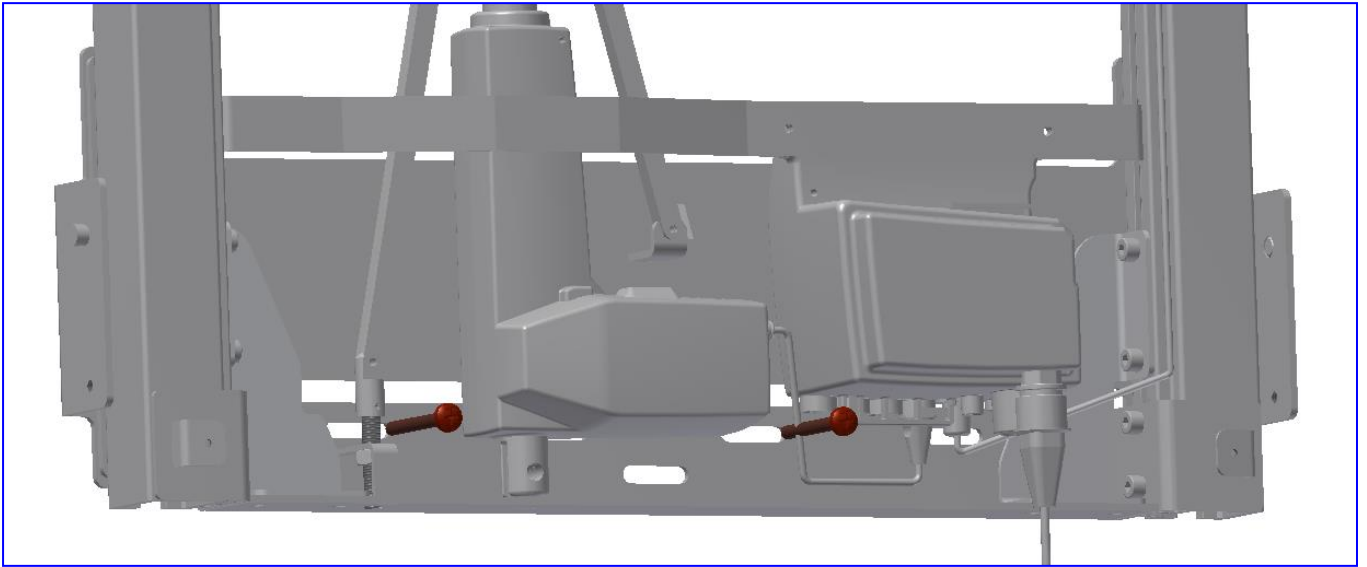


Mounting instructions

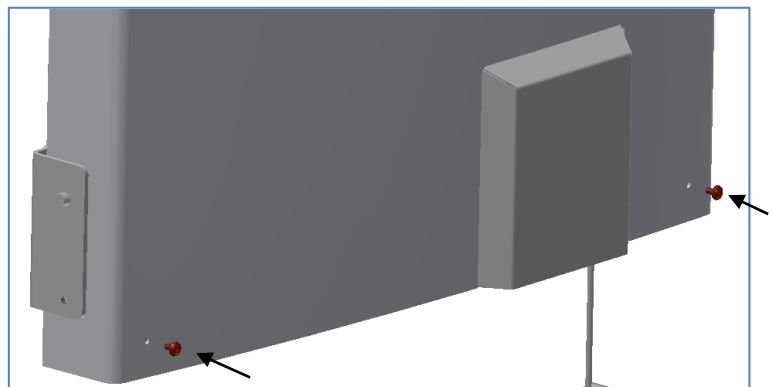
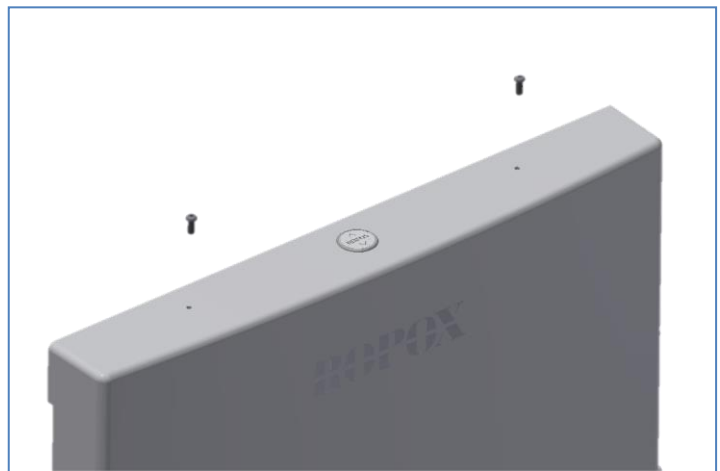
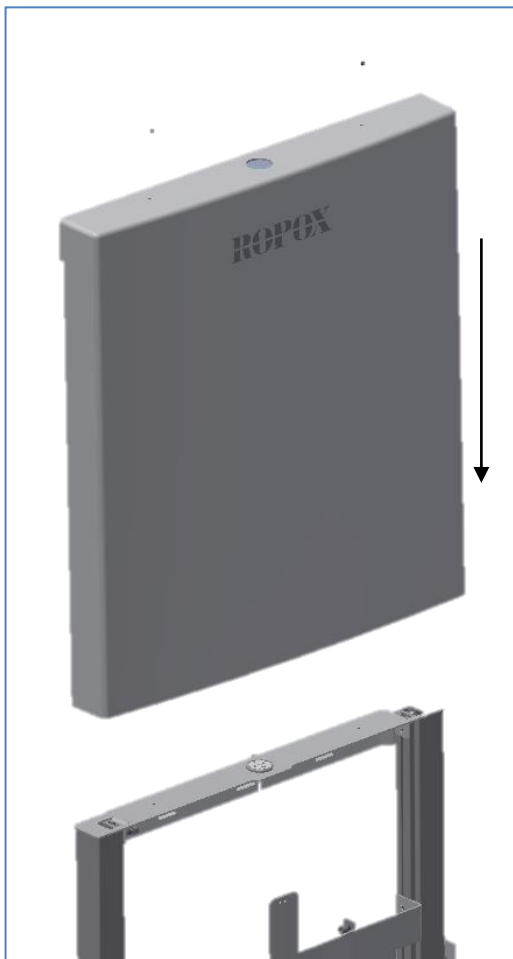
Wall mounting



Mounting instructions

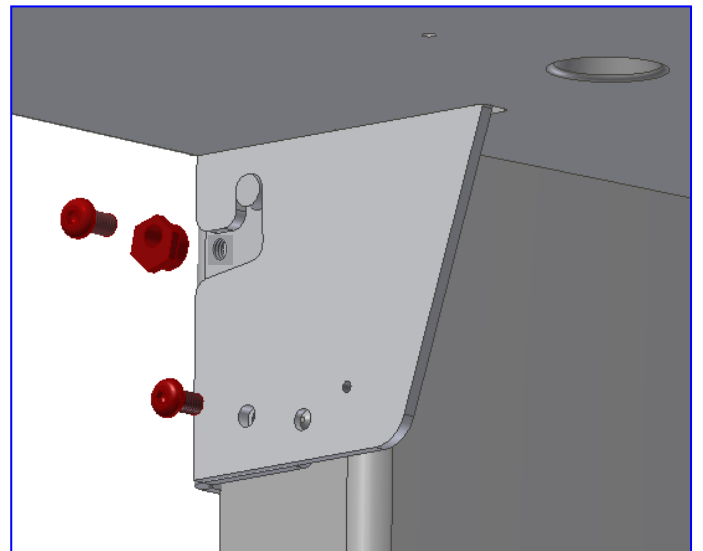
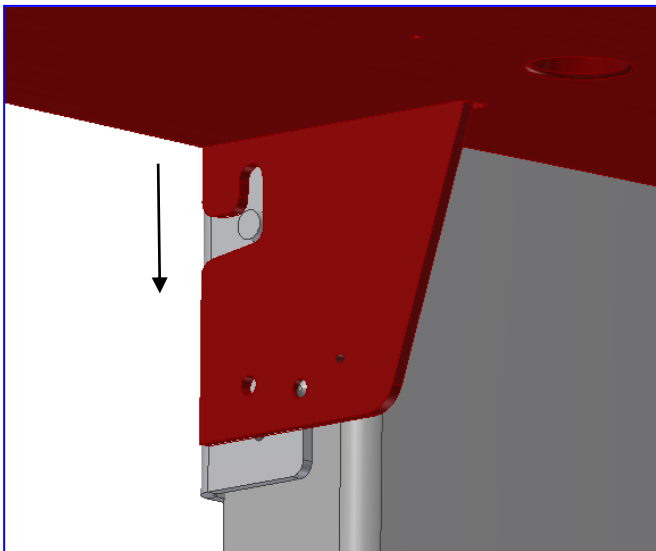
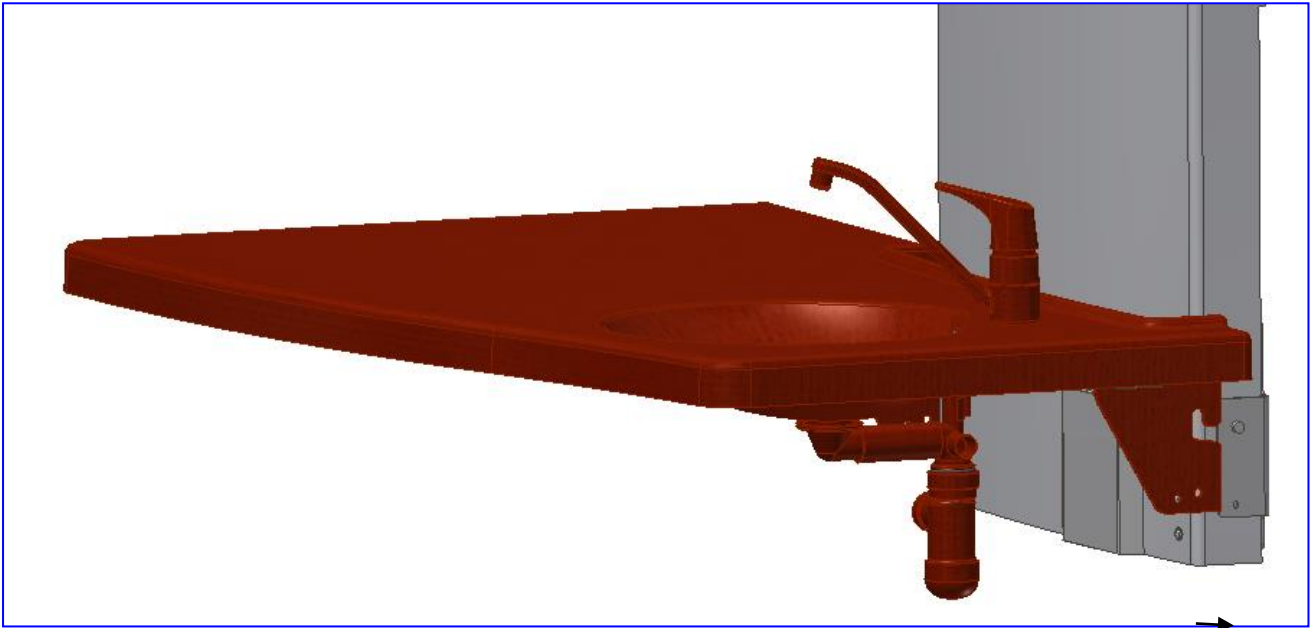


2. Mounting of cover



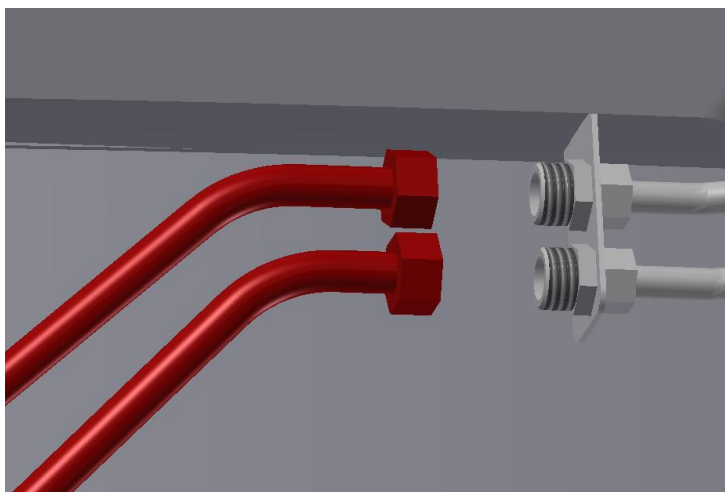
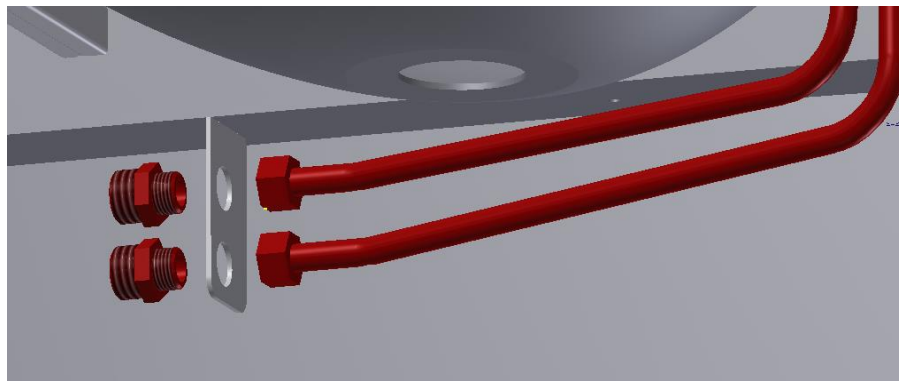
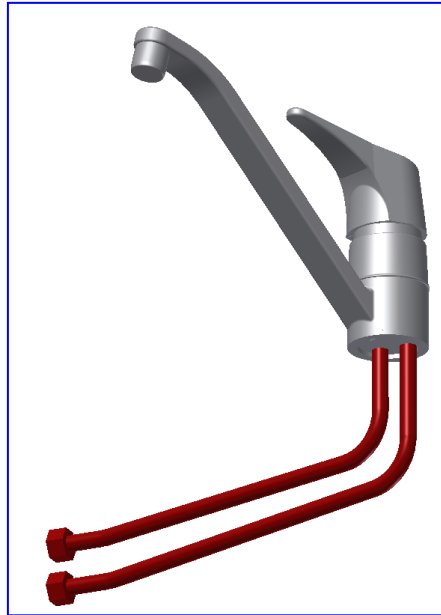
Mounting instructions

3. Mounting of tabletop

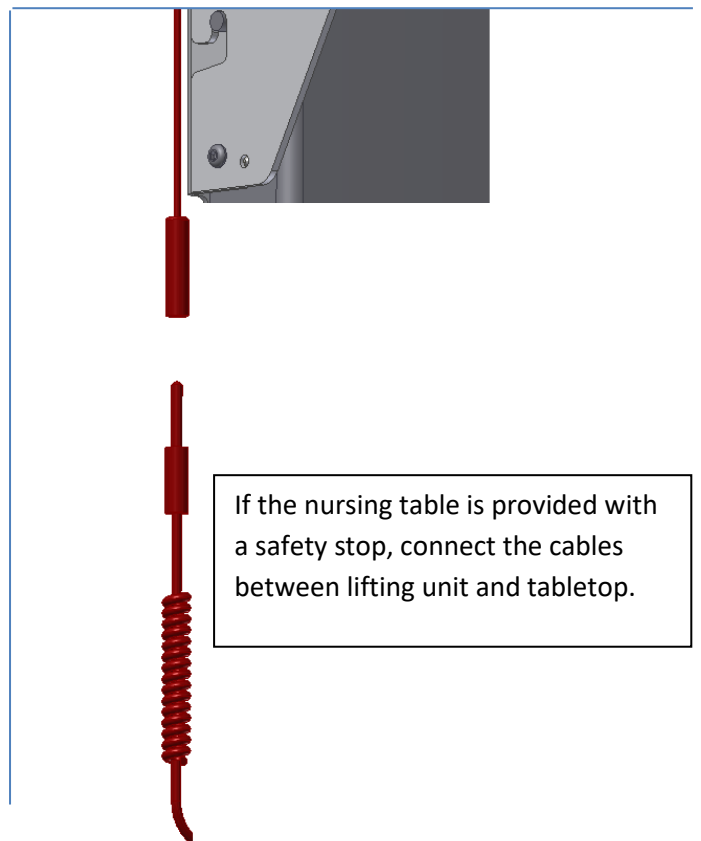
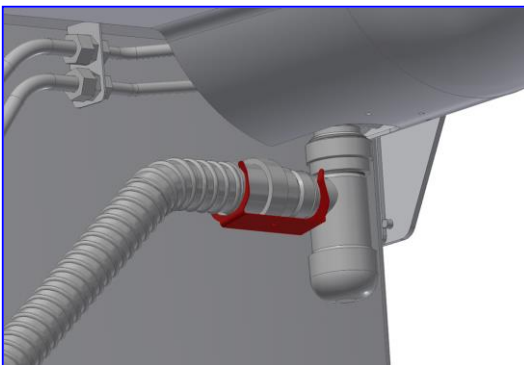
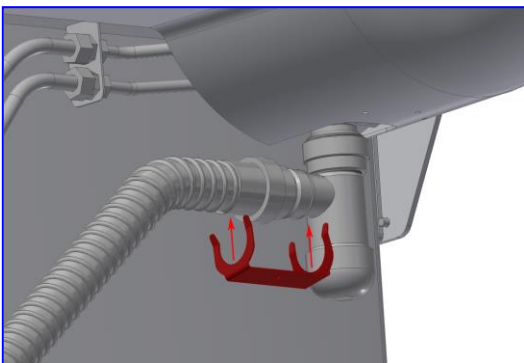
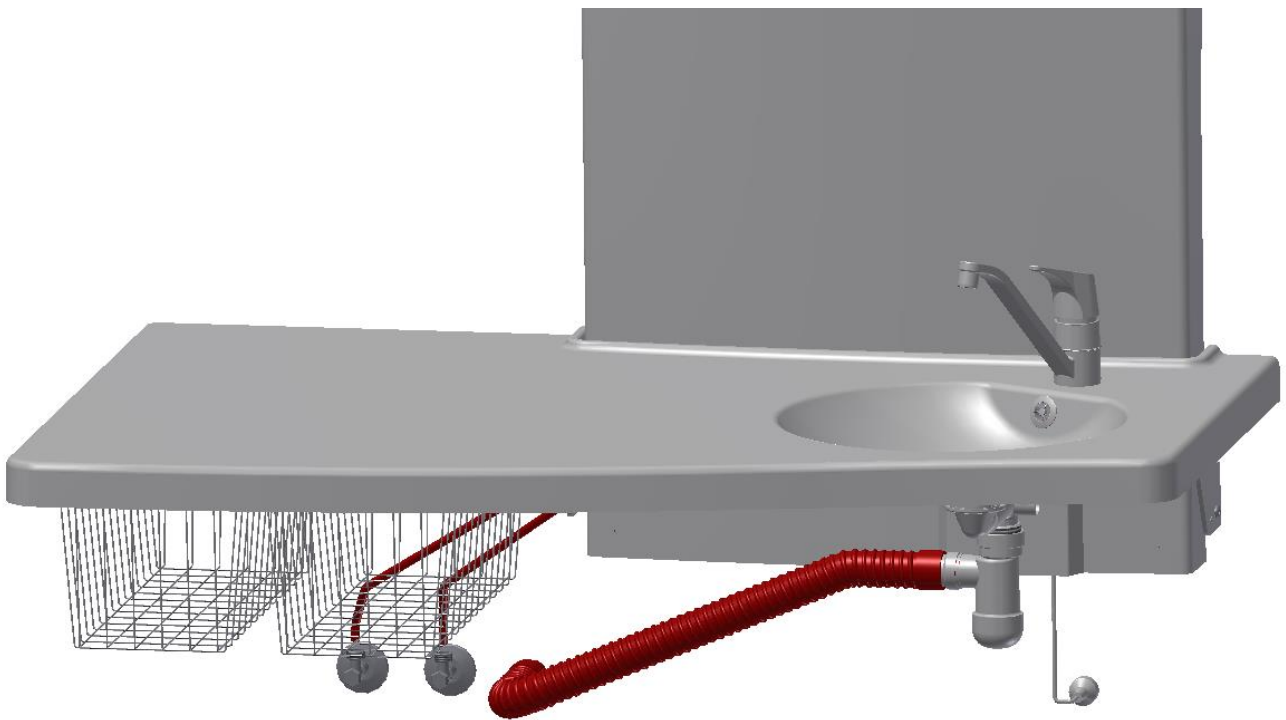


Mounting instructions

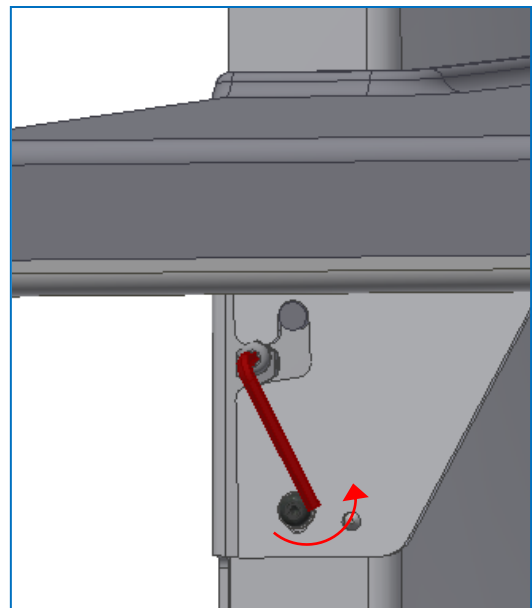
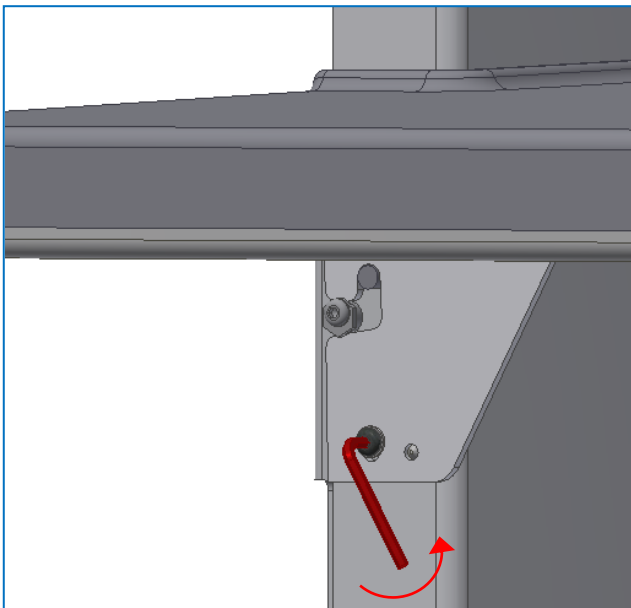
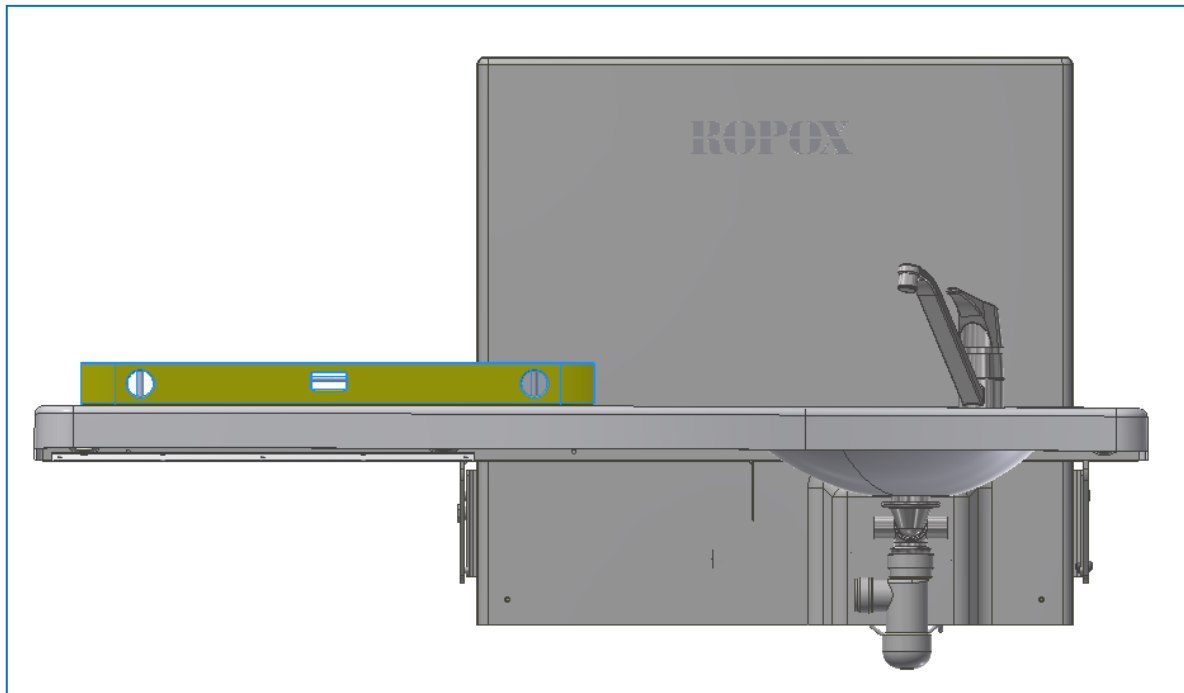
4. Connection of water and drain



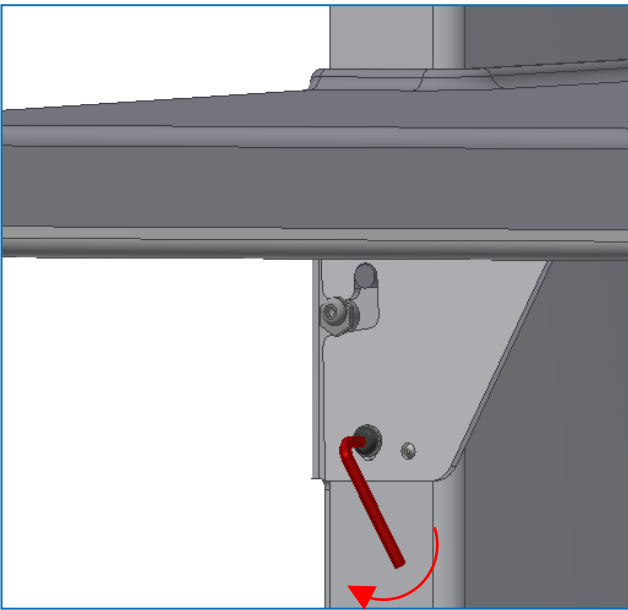
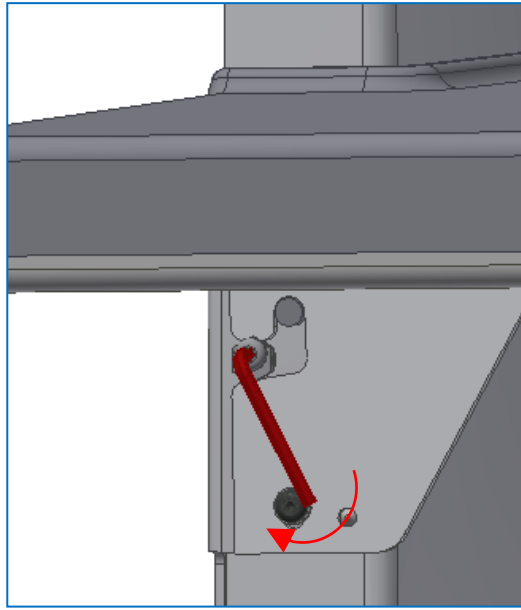
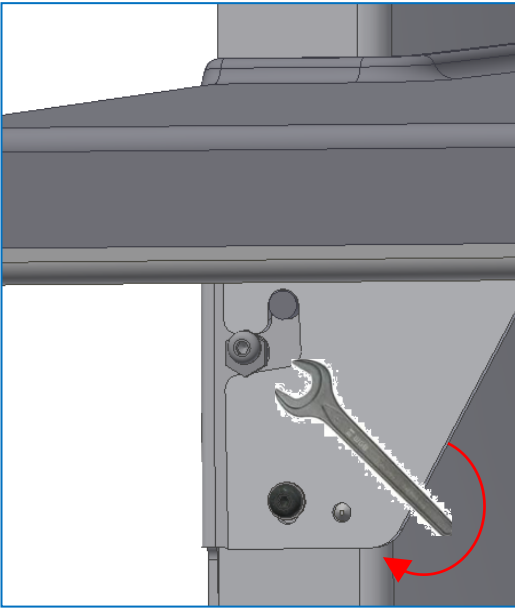
Mounting instructions



Mounting instructions



Mounting instructions



Electrical components

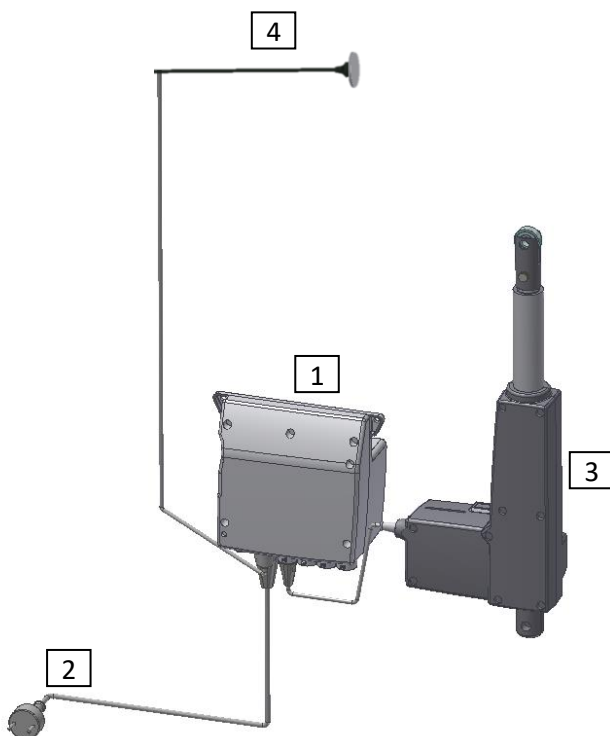
Wiring diagram

The nursing table is delivered with the control unit mounted on the frame. The diagram shows how to connect the cables with the control unit.

All plug-in connections are waterproof and mounting/dismounting may therefore be a little difficult. Make sure that all plugs have the correct position before inserting them into the control unit. The plugs must be pressed home until the O-ring is no longer visible.

The electrical system is designed for periodical use. This means a max. duty cycle of 10%; 2min ON /18min OFF.

1. Control unit
2. Mains cable 230V
3. Motor, to be connected to port 1
4. Hand-control switch
5. Safety stop cable



Electrical system for nursing table Medi 2, without safety stop under the tabletop.



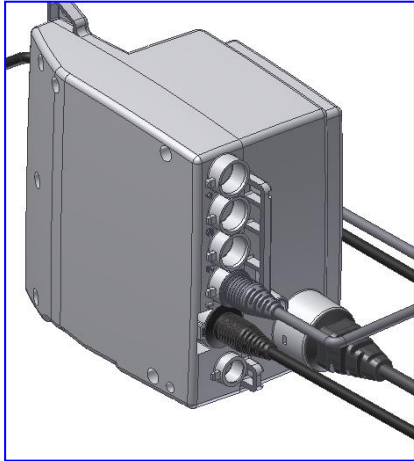
Electrical system for nursing table Medi 2 with safety stop under the tabletop.

Electrical components

Connections

The nursing table is delivered with the control unit mounted on the frame.

Connect motor cable to port 1. Ports 2, 3 & 4 are not used and have therefore been provided with a blind plug.



Connect hand-control switch to port "HB".

Connect mains cable to the port on the side of the control unit.

Dismounting

Just pull out the mains cable.

Performance test

After installation and prior to use all functions of nursing table must be tested. The test must be carried out by competent personnel. Subsequently the test shall be carried out once a year.

Testing prior to connection to mains voltage:

1. Check that mounting instructions have been observed
2. Check that all bolts have been tightened.
3. Check that all cables have been connected correctly and that the plugs have been pressed home.
4. Check that there is no load on the frame.
5. Check that there is nothing preventing the nursing table from moving freely within the height adjustment range.

Connect main power to control box and continue testing:

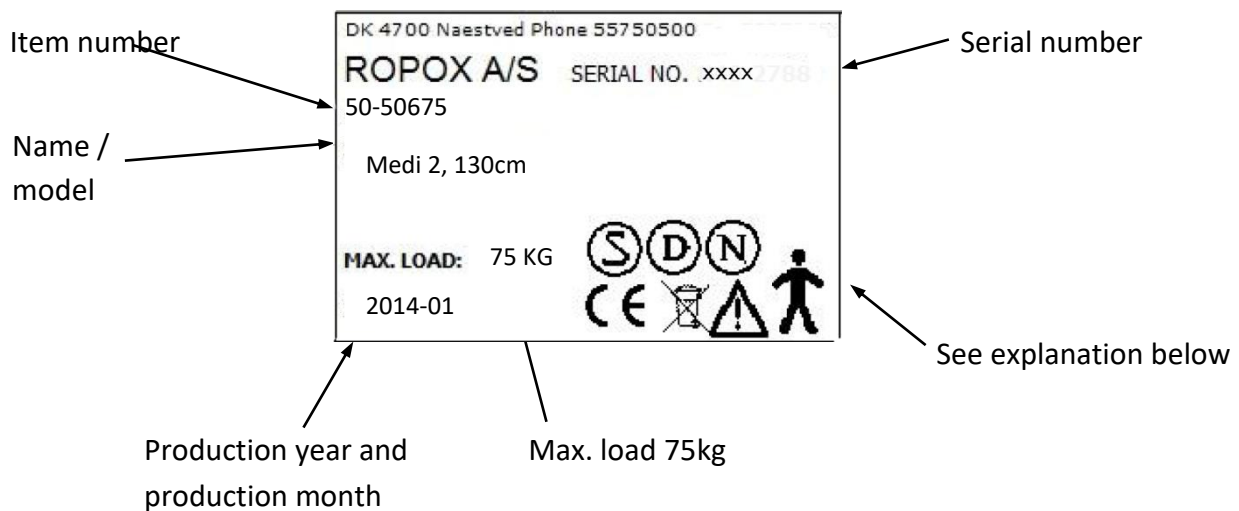
1. Press DOWN button, move frame to bottom position & check movement is even and controlled. Be aware that hoses connections follow movement of frame and do not get trapped.
2. Press UPWARDS button, move frame to top position & check movement is even and controlled. Also, be aware that tabletop does not bump into wall. Should this be the case it could be because the wall is skewed. If the wall is only a little skewed (1-2mm) it is possible to adjust by moving the tabletop. The tabletop is fastened with Velcro. Remove tabletop from Velcro in opposite side of washbasin and slightly pull away from wall and secure again.
3. If the wall is skewed more than 2mm the lifting unit has to be jacked away from the wall.
4. Test safety stop. Press DOWN on control switch and let frame move 2-5 cm downwards, activate the safety stop. The frame must stop downwards movement.

If all tests are ok, the nursing table is ready for use. See section "Safety in use".

Marking

Label

Each nursing table has a label of its own as illustrated. This label contains important information to be stated in connection with inquiries to the supplier.



Symbols:



The user manual must be read prior to using the product.



Waste must be sorted – if possible for recycling.



Type B equipment.



Class 2 equipment. No connection to earth.



CE marking. This product meets the requirements for General Safety and Functionality of the current EU Directives and Standards.

EMC information



The nursing table meets the requirements for Electromagnetic Compatibility (EMC), if mounting and daily use are in accordance with the instructions of this manual. In seldom cases, the nursing table may be affected by electronic signals from, for instance, laptops, mobile phones or the like.

Support

Fault finding

The nursing table does not move up and down when the hand-control switch is pressed	<p>Check:</p> <ol style="list-style-type: none">1. If 230V has been connected and current is available.2. If all plugs have been correctly inserted.3. If the table only moves upward, check if the safety stop has been blocked/activated.4. Dismount all cables and mount them again.5. Contact Ropox for support.
---	--

Waste handling



Used equipment must be disposed of according to national law. We recommend dismantling of the product to the greatest possible extent so that most parts may be recycled. Note that this product contains electrical components. Examples of sorting groups: Metal, plastic, cables, electronic parts and parts for destruction.



The nursing table may be used at temperatures from 5°C to 45°C

The nursing table may be used at a relative humidity between 5% to 85% non-condensing

Factors affecting the product during storage and transport



Maintenance

- i** Ropox recommends testing the functions of the nursing table and retightening of all bolts and nuts once a year.

In case of defects, please contact Ropox as soon as possible, and do not use the nursing table until the problem has been solved/remedied.

!! Maintenance of the nursing table should only be carried out by competent personnel !!

If you do not want to carry out the performance test yourself, you may contact Ropox to arrange a visit by a service technician. See contact information at the end of these instructions.

Ropox nursing table is maintenance-free. However, for safety reasons we recommend regular inspection of all bolts and moving parts to ensure correct and secure fastening to the wall.

Cleaning

Do not use a high-pressure washer to clean this product.

Simply use a soft cloth or sponge with soapy water of max. 60°C (pH 7) or cleaning alcohol.

Always clean the nursing table after use to prevent dirt from sticking to the surfaces.




Important:

Do not use scouring powder or other abrasives, as they will scratch the surfaces.

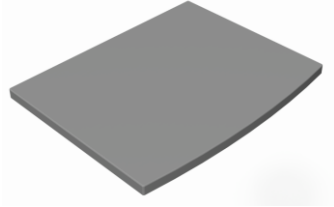
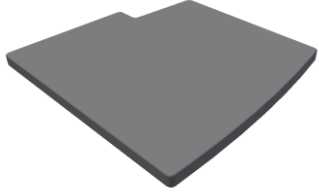
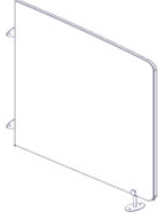



Also, avoid the use of cleaning utensils with sharp edges. Never use strong mineral acids or alkaline products.







Spare parts

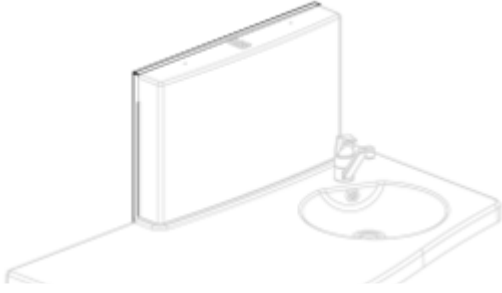
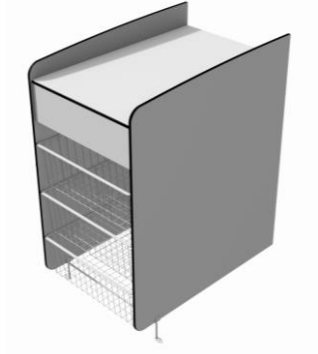

Usual spare parts

97000473	Actuator Type : LA31.3 Stroke 175 mm	
97000469	Control unit Type : CB9096-2	
97000247	Ropox hand-control switch	

Accessories

Varenummer	Beskrivelse	Billede
50-50680	Mattress for Nursing Table 90cm, grey 88 x 70 x 4 cm.	
50-50681	Mattress for Nursing Table 130cm, grey 88 x 75 x 4 cm.	
50-50682	Side covering, white compact laminate 82 x 105 cm. For mounting on floor/wall	
50-50683	Side covering, white compact laminate 61 x 105 cm. For mounting on floor/wall	
50-50688	Side Bed Guard for Medi2/Maxi2 130 cm 82 x 24 cm. Mounted on worktop Not for retrofitting	
50-50699	Side Bed Guard for Medi2/Maxi2 90 cm 82 x 24 cm. Mounted on worktop Not for retrofitting On picture there are mounted 2 pcs.	

50-14684	Mixer tap Non-touch monobloc tap Iqua	
50-50694	Mixer tap with extension shower head	
50-50702	2-step ladder White	
50-50690	Extra hand control with spiral cable For Maxi 2 og Medi 2 with safety stop	
50-50698	Extra hand control with spiral cable For Maxi 2 og Medi 2 without safety stop	
50-50687	Supportlegs for Medi 2 - 90/130 cm	

<p>50-50689</p>	<p>Adaptor frame for Nursing Table Medi 2 Wall distance: 20 mm</p>	
<p>50-50697</p>	<p>Ropox Basket unit without wash basin</p>	
<p>50-50696</p>	<p>Ropox Basket unit with wash basin</p>	

Complaints

Please see General Terms of Sale and Delivery on www.ropox.com



Ropox A/S

Ringstedgade 221

DK – 4700 Næstved

Tel.: +45 55 75 05 00 Fax.: +45 55 78 05 50

E-mail: info@ropox.dk

www.ropox.dk



Ropox A/S

Ringstedgade 221

DK – 4700 Naestved

Tel.: +45 55 75 05 00 Fax.: +45 55 78 05 50

E-mail: info@ropox.dk

www.ropox.com



Ropox A/S

Ringstedgade 221

DK – 4700 Naestved

Tel.: +45 55 75 05 00 Fax.: +45 55 78 05 50

E-mail: info@ropox.dk

www.ropox.de