



Ropox SlimLine Electric

USER MANUAL

This manual must always accompany the product

Table of contents

Product information	2
General product information	2
Technical data.....	2
Use	3
Dimension drawings	4
Installation interfaces	5
Positioning of water, drain, and power installations	6
Connection adapters	7
Cleaning	8
Mounting information	9
List of components	9
Mounting instructions	12
Cable diagrams	23
User information	24
Functionality testing	25
Label	25
Symbols.....	25
Safety in use	26
Service information	27
Troubleshooting	27
Maintenance.....	28
Performance test.....	28
Service schedule	29
Spare parts.....	30
Complaints.....	31

Product information

General product information

Ropox Slimline height adjustable unit offers the user the greatest experience in the least possible packaging. With a depth of only 58mm the height adjustment does not take up unnecessary space in the bathroom and leaves an elegant impression.

With a range of 300 mm, the electrical height adjustment covers the users' needs, whether sitting or standing. The positioning of the height adjustment on the wall provides more space for foot supports for wheelchair users.

The manual must always be stored in a place where it is easily accessible to the user. The manual must follow the product at all times.

Technical data

Product name:	Ropox Slimline Electric
Item no.:	40-15601 Unit with Ropox straight support washbasin
Height adjustment:	30 cm (70-100cm)
Power supply:	230V, 50Hz, max. 2.9A
Duty circle:	Max. 10 % = 2 min. active/18 min. break
IP protection:	All electrical components are IPX6 approved
Materials:	Frame: Welded steel tube St. 37 Washbasin: Synthetic/marble composite (40-15605: porcelain) Cover: Vacuum-formed acrylic glass
Surface treatment:	Chromite, gel coat
Max. load:	Tested in accordance with DS/ISO 17966:2016 with the following max. user weights: 40-15601: 165kg
Temperature:	10-40° C
Manufacturer:	Ropox A/S DK-4700 Næstved, Tel.: +45 55 75 05 00 Email: info@ropox.dk



This product has CE marking and is thus declared to be in accordance with the basic requirements concerning functionality and safety according to the current Machinery Directive. All variants of Ropox Slimline Electric are manufactured in accordance with the relevant requirements of Directive 93/42/EEC concerning medical devices and belong to the lowest risk class 1.

Use

Ropox Slimline Electric is height adjustable in order to provide an optimal work posture for users and helpers. Ropox Slimline Electric may NOT be used as a lifting table or as a person lifter.

Height adjustment with a fixed standard control



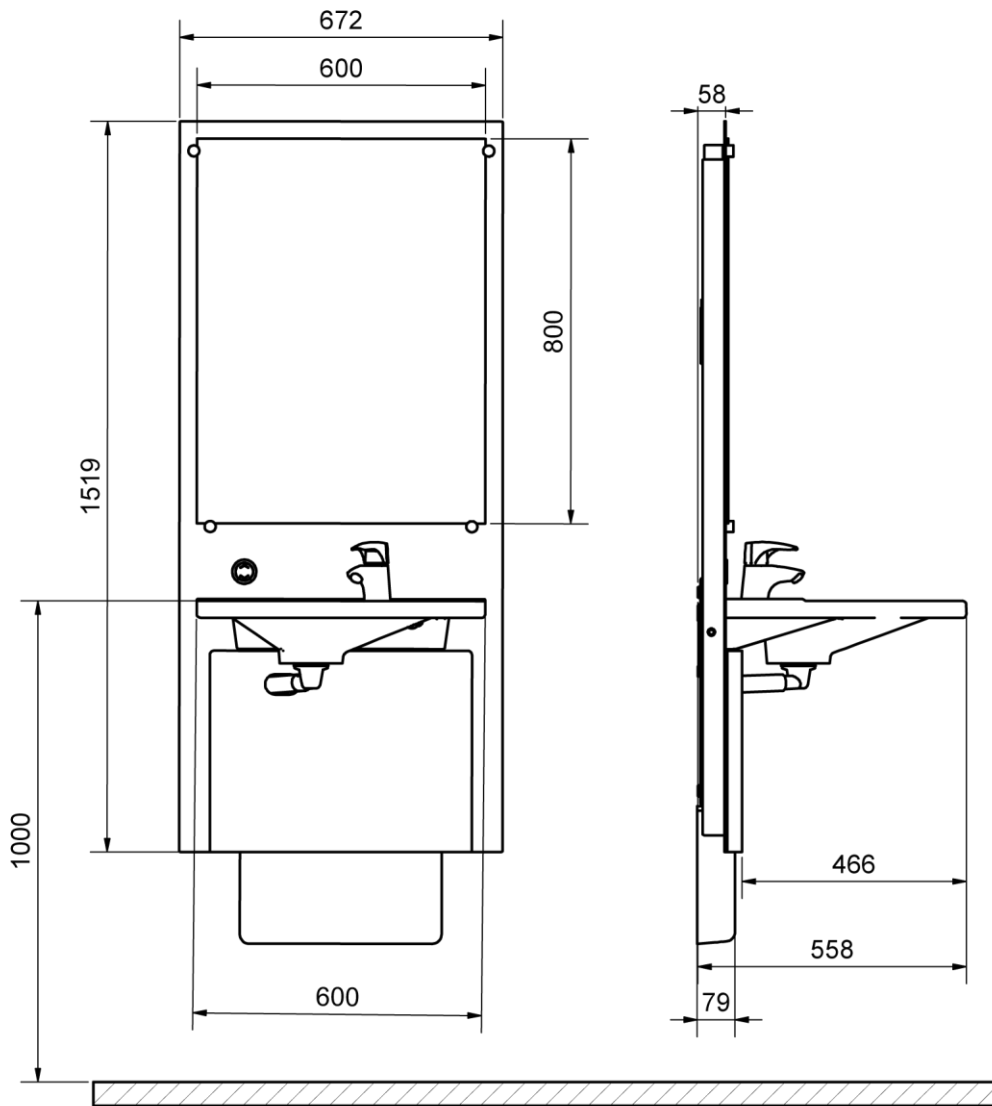
Hand control with spiral cable (available for purchase)



Dimension drawings

40-15601

700-1000mm travel range



Installation interfaces

Wall characteristics

The wall in the bathroom must be of proper screw material approved for wet rooms.

The product is load tested in accordance with DS/ISO 17966, and the maximum user load is:

40-15601: 165kg

40-15607: 200kg (when using a porcelain wash basin)

Maximum pull out force in the top screws: 68 kg/screw.

POWER

The power connection is located above the lifting unit to prevent water and splashing. The lifting unit is supplied with a cable of 200 cm. The recommended location of the power connection is illustrated on the drawing.

PLUMBING

The drain is $\varnothing 32$ and ends in an $\varnothing 32 \times 88.5^\circ$ drain bend. The maximum protrusion of the drain connection and the elbow from the wall is 77 mm to allow for covers for water and drain.

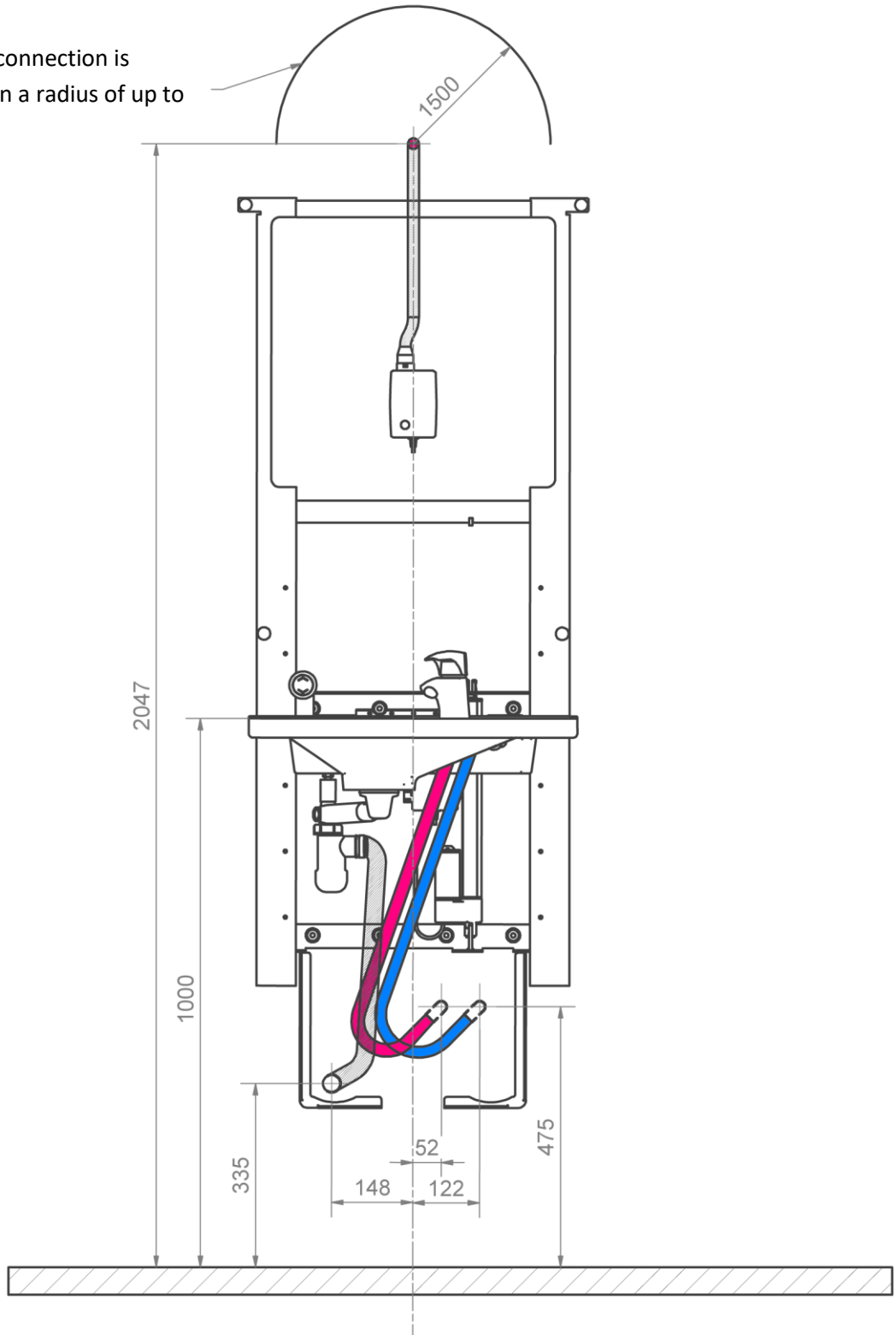
The water supply ends in 2 (two) 90° angled Ballofix valves with $\frac{1}{2}$ " outside thread. The water supply should be located according to the instructions. It is recommended that the water connection is angled at 45° , cf. drawing, to ensure a better movement of the water hoses. The maximum protrusion of the shut-off valves is 75 mm from the wall to allow for covers for water and drain.

It is recommended that the water connections and drain are located as illustrated on the drawing. It is important that all hoses for the water connection and drain are flexible so that the frame can move freely and unhindered within its height adjustment range of 70-100 cm (incl. washbasin).

The drain may also be positioned in the floor – in that case, however, it is not possible to use the inside cover cap (40-15610).

Positioning of water, drain, and power installations







The power connection is positioned in a radius of up to







Connection adapters

If the recommendations cannot be met, the components described below may be ordered. Ropox is not responsible for the optimal functionality of the below components under covers when adjusting the height of the unit.







Water connection adapters

Hoses from washbasin	Adapter	Installation in room (not included)
 1/2"	No adapter needed	 1/2" Thread
	 1/2" -> 3/8" Item no. 97001670	 3/8" Thread
	 1/2" -> 15mm Item no. 97001666	 15mm Pipe





Water hose extensions

Hose from washbasin	Coupling piece	Extra hose
	 1/2" -> 1/2" Item no. 97001662	 1/2" x 1/2", 0.5m, steel Item no. 97001123
		 1/2" x 1/2", 1m, plastic Item no. 97001120

Drain adapters

Drain from washbasin	Adapter	Installation in room (not included)
 Ø32	No adapter needed	 Ø32
	 Ø32 -> Ø40 Item no. 97001660	 Ø40
	 Ø32 -> Ø50 Item no. 97001661	 Ø50

Drain extensions

Drain hose from washbasin	Coupler	Extra drain hose
 Ø32	 Ø32-Ø32 Item no. 97001662	 Ø32 Flex hose, 40-110cm Item no. 97001161
		 Ø32 Flex hose, 27-62cm Item no. 97001162

Cleaning

During use, the product may get dirty. It is very important that the washbasin and the lifting unit are cleaned in accordance with these instructions.

Ropox SlimLine may be wiped with a wrung cloth with lukewarm water and a mild detergent. Do not use corrosive/grinding fluids or scouring sponges.

Cleaning of washbasin

The washbasin is made of a composite material of marble and synthetic granulates with a gel coat surface. This provides a hard and hardwearing finish, which is very easy to clean. Wash the surfaces daily with water and wipe with a dry cloth. Do not use cleaning agents containing hard abrasives – such as steel wool, scouring powder, or sulphuric acid.

If the water has high calcium content, calcareous deposits will often occur in the washbasin. These deposits should be removed at least once a week by using a detergent containing citric acid, acetic acid, or phosphoric acid. Leave the detergent to work for 5-10 minutes depending on the thickness of the deposits and clean thoroughly with a soft scouring sponge.

Disinfection of the washbasin may be done with household disinfectants.

Mounting information

List of components

Slimline lifting unit with washbasin 40-15601

40*15601-040:

Lifting unit

1 (one)



97002454:

Mirror 600x800x5

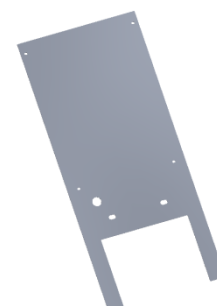
1 (one)



40*15601-084

Cover top

1 (one)



40*15601-062

Cover bottom

1 (one)



40-15610

Installation cover*

1 (one)

(Available for 40-15607)





97002671 **Actuator** **1 (one)**



97002674 **Fixed control** **1 (one)**



97002672 **Control box** **1 (one)**



97002679 **Power supply** **1 (one)**

97002680 **AC cable 2 m** **1 (one)**



97001706 **Oras Saga 3910F** **1 (one)**

(Available for 40-15607)



40-15612-0 **Plumbing kit SlimLine** **1 (one)**

(Available for 40-15607)

- 97001601 Prevox siphon 1 (ONE)
- 97001162 Flexible drain hose ø32/32 connecting pipe 1 (ONE)
- 97001035 32x88.5° white PP Wafix elbow HT 1 (ONE)
- 97001126 Connection hose 700mm, Lindner 2 (TWO)
- 97001605 Prevox 100mm extention 1 (ONE)
- 95091070 Plate screw ø4.8x70 cross recess A2. 1 (ONE)

40*15601-100 **Mounting parts Slimline frame** **1 (ONE)**

- 95027578 Frame screw 7.5x72 stainless 8 (EIGHT)
- 95027576 Zebra "shark" dowel 10x61 8 (EIGHT)
- 95125035 Chipboard screw 5x35 3 (THREE)
- 40-44170-1 Mirror bracket 1 (ONE)
- 96000170 Strips, black 4.8/290mm 4 (FOUR)
- 40*15601-021 Mounting bracket 1 (ONE)
- 95041285 Bolt M12x85 2 (TWO)
- 95170512 Chamfered washer M12 2 (TWO)
- 97001467 Mounting parts for Ifö Spira 60 1 (ONE)
- 40*15601-095 Spacer 8 (EIGHT)
- 95020521 COUNTERSUNK INSEX screw M5x20 4 (FOUR)

97001582

60cm Straight Support Washbasin

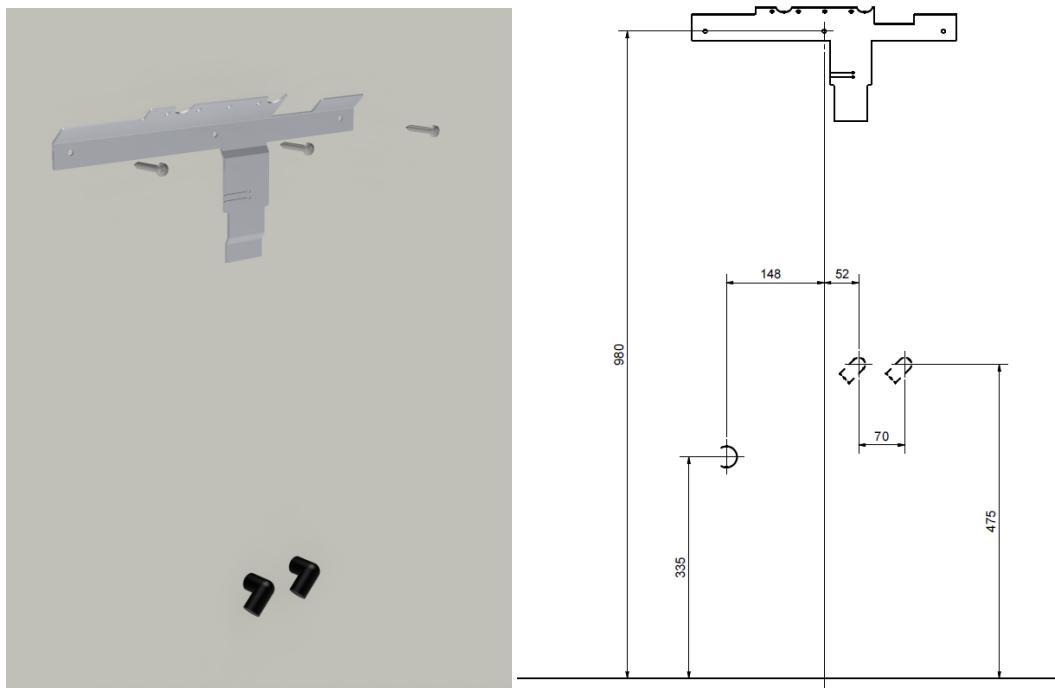
1 (ONE)



Mounting instructions

Prior to the installation, make sure that all parts have been provided in accordance with the list of components.

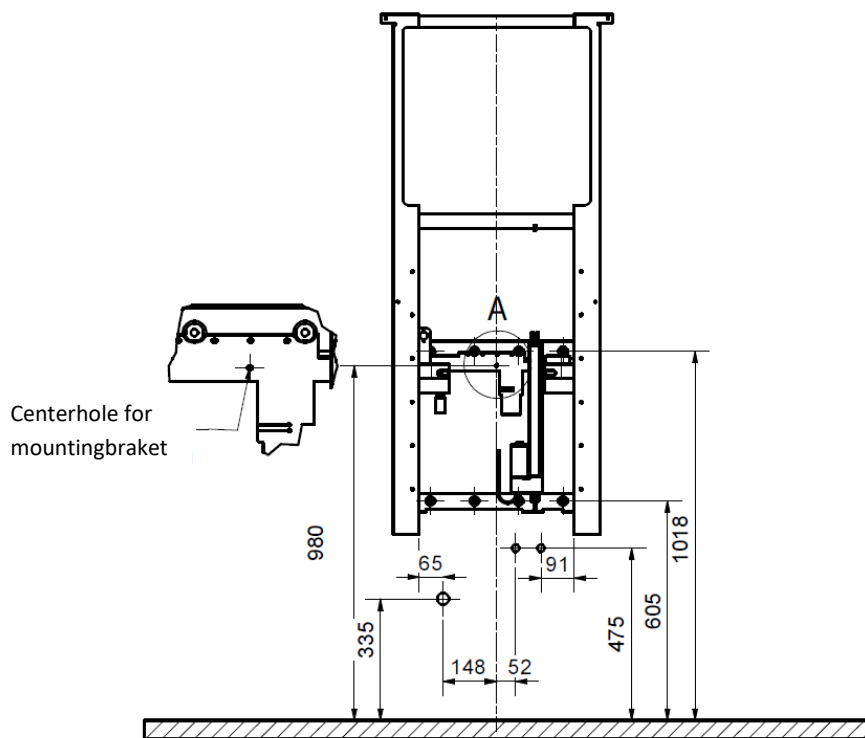
The maximum tensile load of the screws is 68 kg. The wall must be able to resist such tensile load.



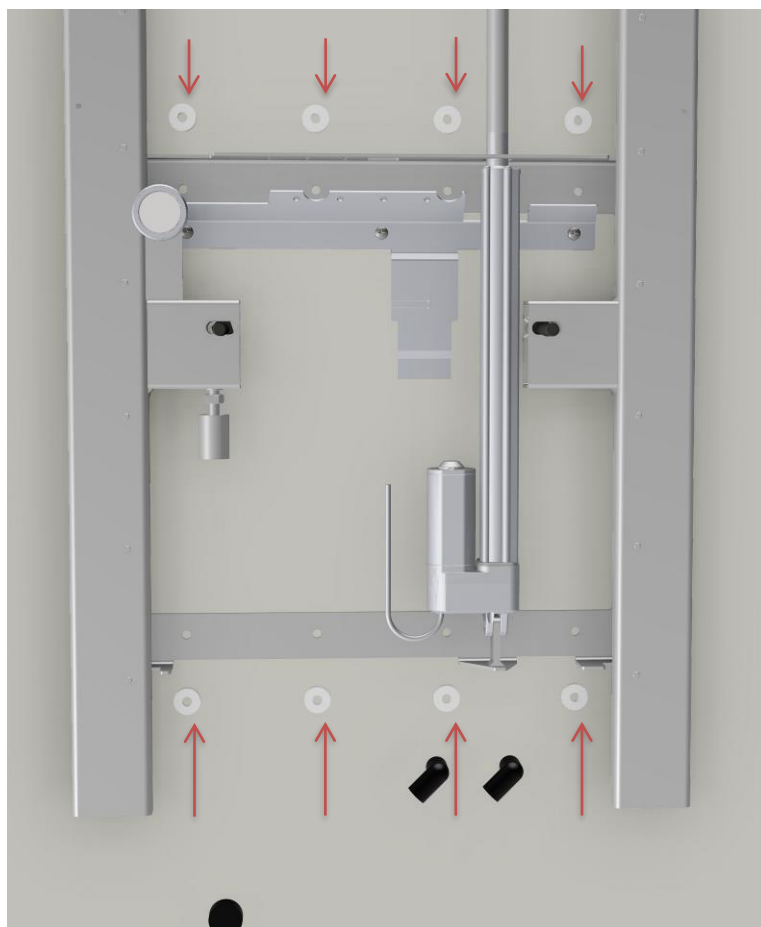
Fix the mounting bracket as illustrated on the drawing with the right distance to water and drain.
Make sure that the mounting bracket is level.



Hang the lifting unit on the mounting bracket. Make sure to put the M12 bolts for the washbasin in the frame prior to mounting.



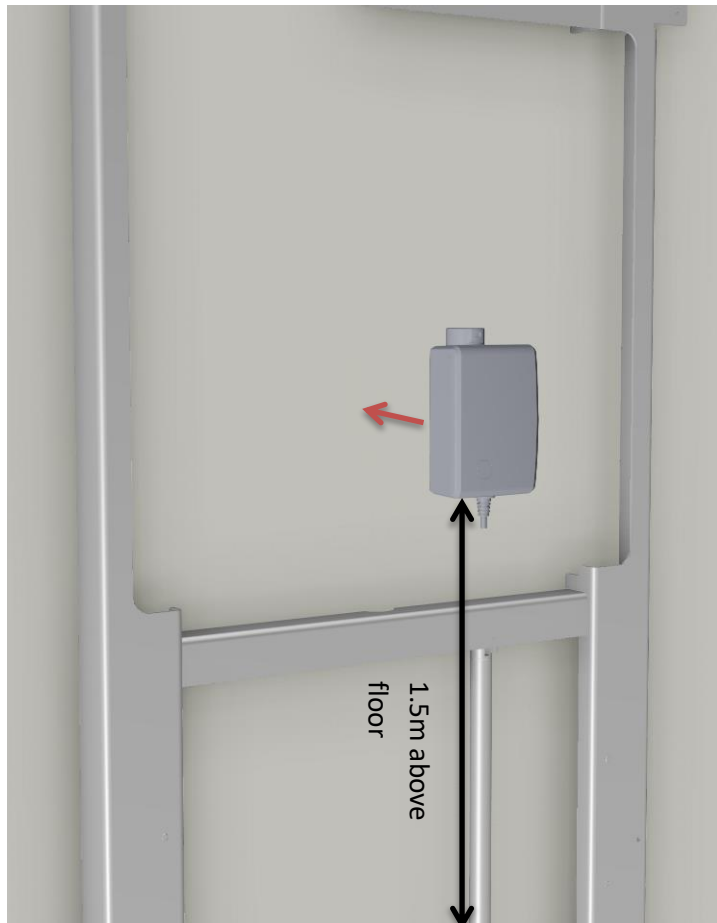
Place the unit in accordance with the water connection and drain as shown on the drawing.



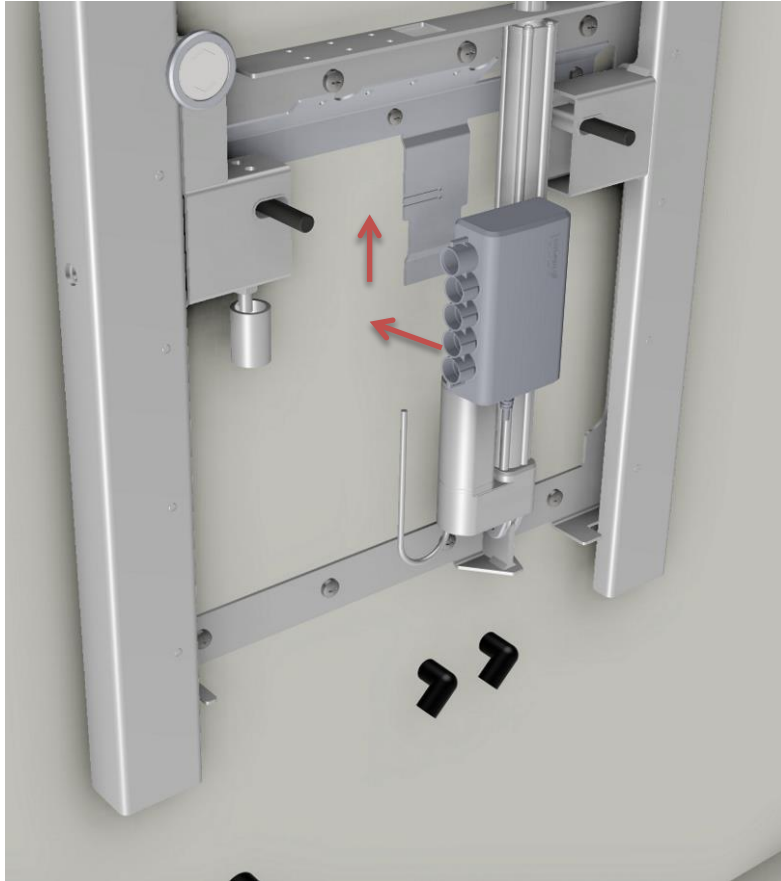
Push 8 (eight) spacers in behind the frame so that it has the right distance to the wall.
Mark the 8 holes for fastening. Take the lifting unit down again and drill the holes in the wall.



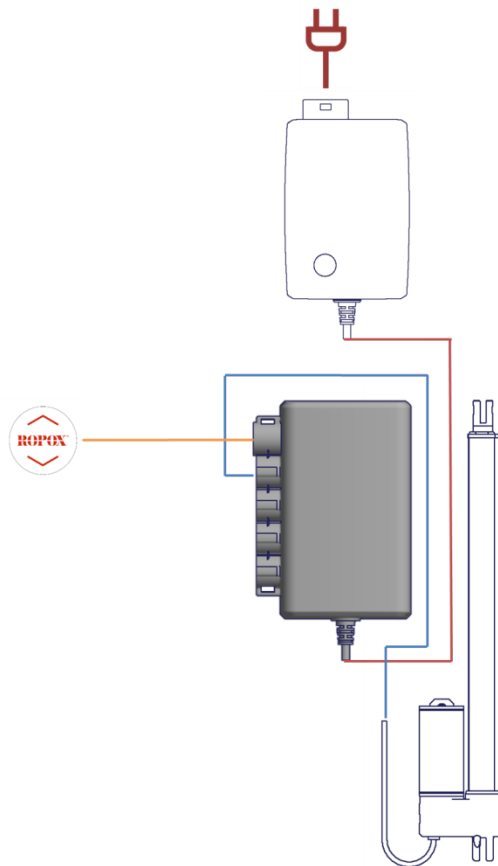
Use suitable rawplugs and screws for the mounting.



Remove the protective foil on the tape and fasten the power supply above the unit. Locate 1.5 m above the floor measured on the underside. Place it in the middle of the lifting unit.



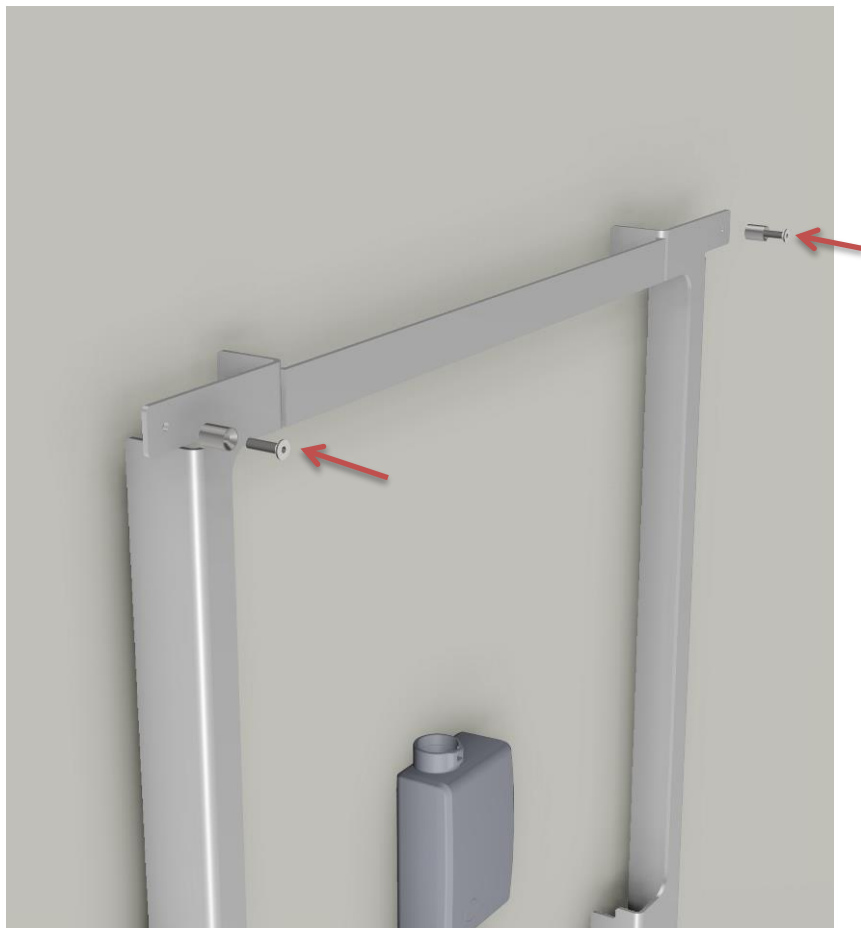
Mount the control box on the mounting bracket. Make sure that the small aluminium leg interlocks and locks the box in a fixed position.



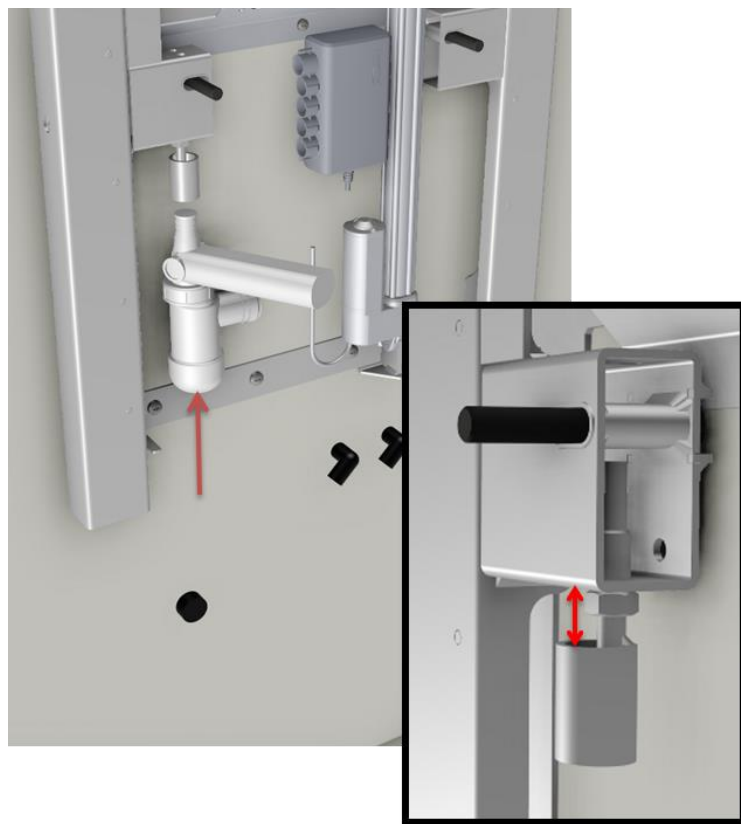


Connect the electrical system as illustrated. Fix the excess cable from the power supply on the mounting bracket with strips.

Check that the unit freely moves at up/down. If needed, use cable clips etc. for the power cable.



Fix the rods for the mirror bracket in the frame with M5 countersunk screws.



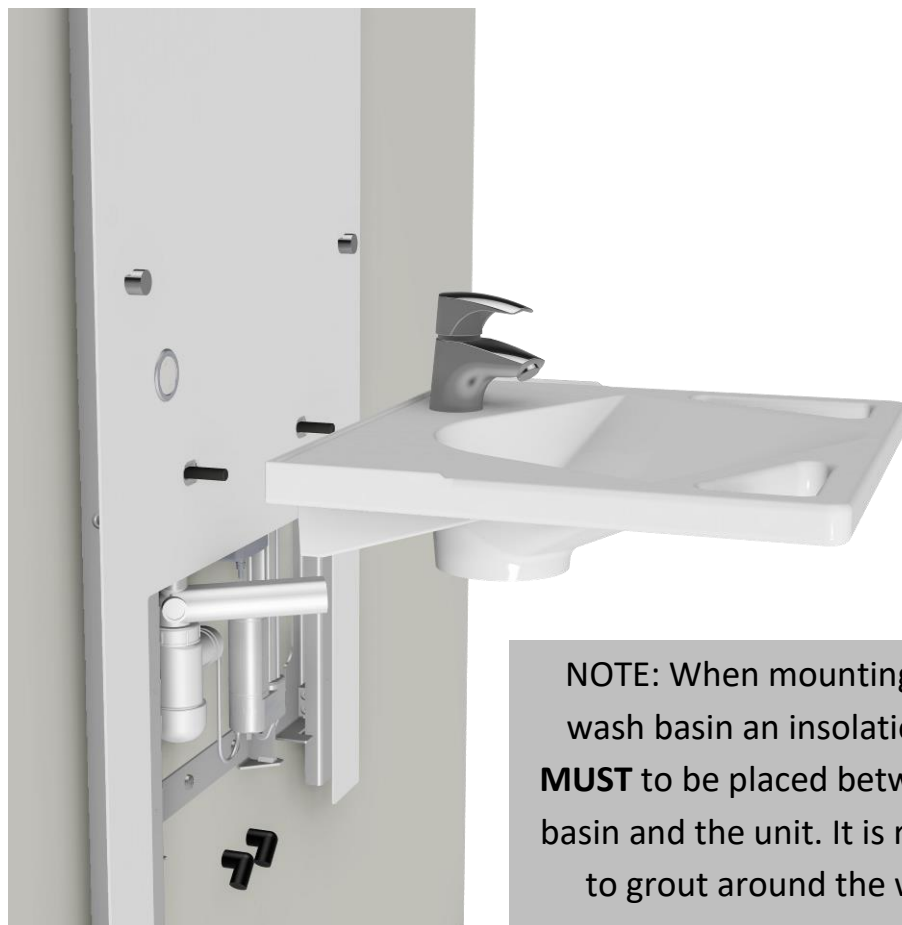
Install the siphon. Adjust the holder bracket to the right height for the washbasin you have chosen, cf. below.

40-15620: 20mm

40-15622: 40mm



Mount the flat cover and 3 (three) mirror brackets so it is kept in.



NOTE: When mounting a porcelain wash basin an insulation foam pad **MUST** to be placed between the wash basin and the unit. It is recommended to grout around the wash basin.

Now mount the washbasin with the enclosed mounting parts for bolt mounted washbasins.

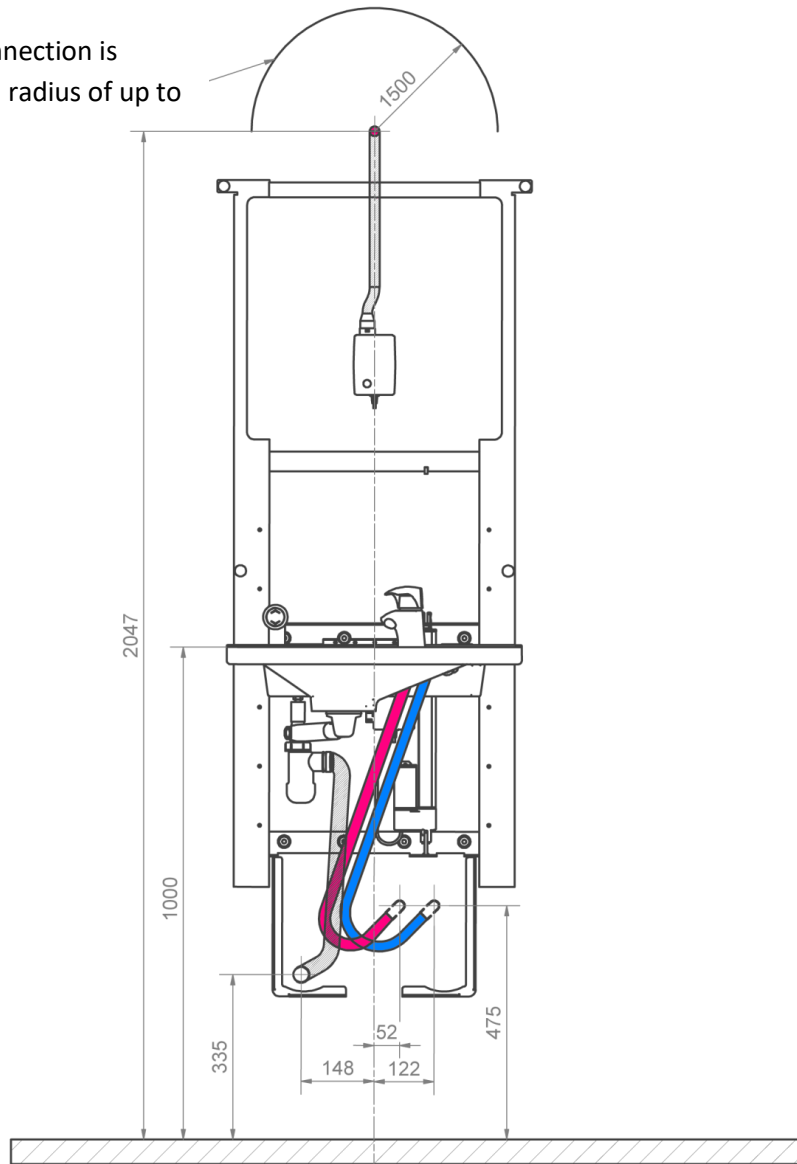


Remove the protective foil from the double-coated tape on the back of the brackets for the installation cover. That is now pushed in place so that the brackets glue to the wall.



Remove the installation cover and push the brackets very firmly against the wall to make sure that the glue has good contact with the wall.

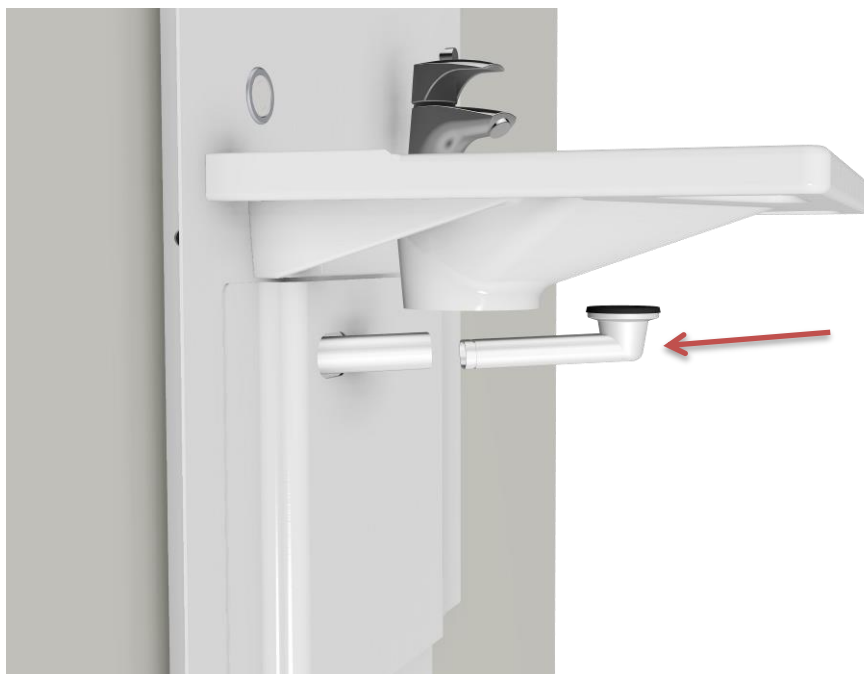
The power connection is positioned in a radius of up to



Install water connection and drain hoses as illustrated. Put the installation cover back on. Make sure that all hoses move freely and unhindered.



Put the outermost cover on as illustrated.



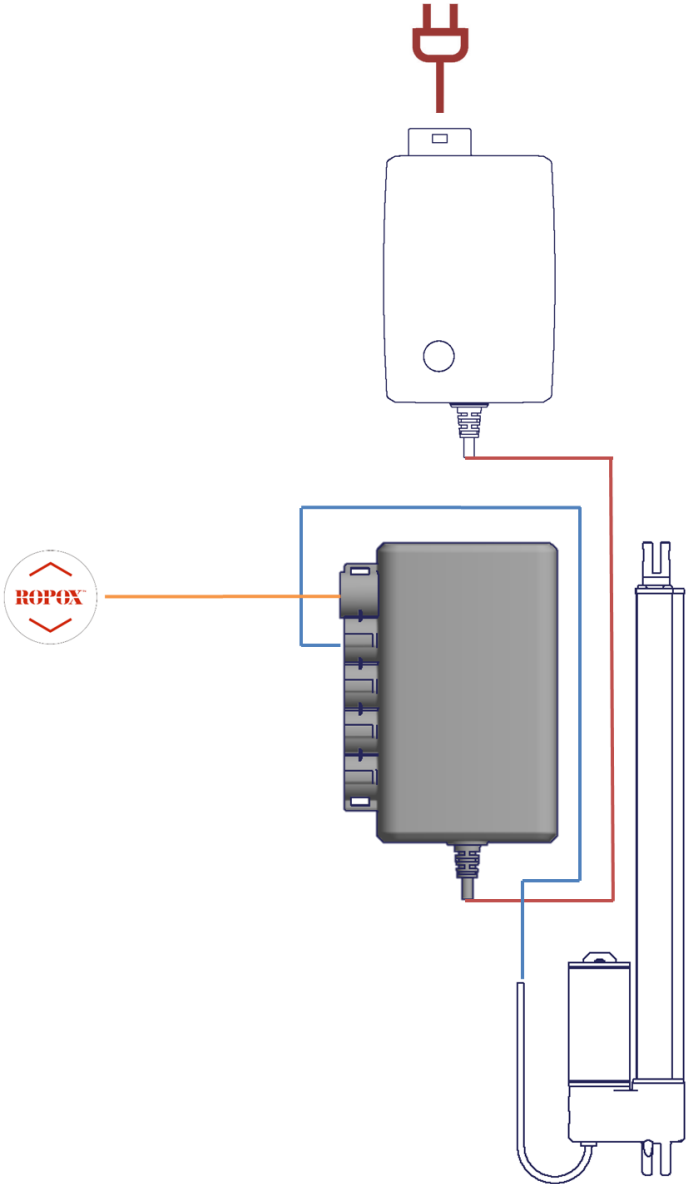
Install the rest of the drain and screw it in the washbasin.
Now check that the washbasin and hoses below the caps move freely by moving the lifting unit up and down.



Remove the protective foil on the double-coated tape on the back of the mirror and fix it as illustrated. Press it firmly and make sure that the mirror is properly fastened so that the final mirror bracket can be mounted.

Cable diagrams

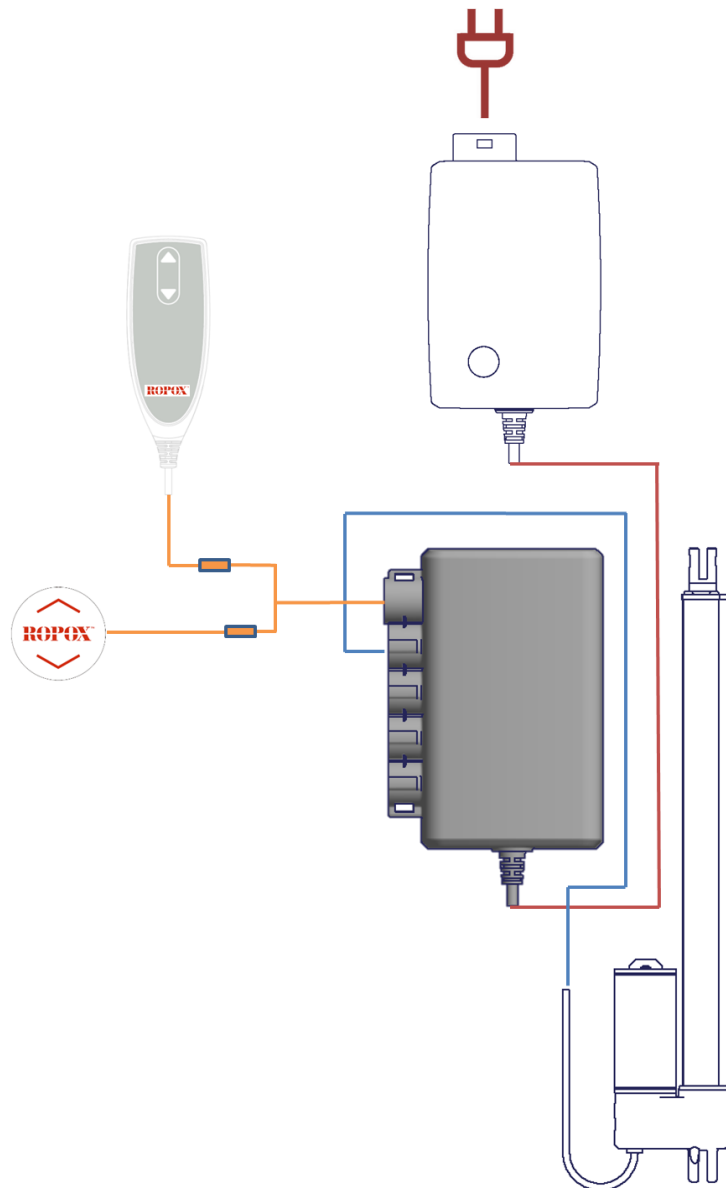
Standard product with fixed control



User information

Product with fixed control and handheld control.

Here a split cable is used.



Functionality testing

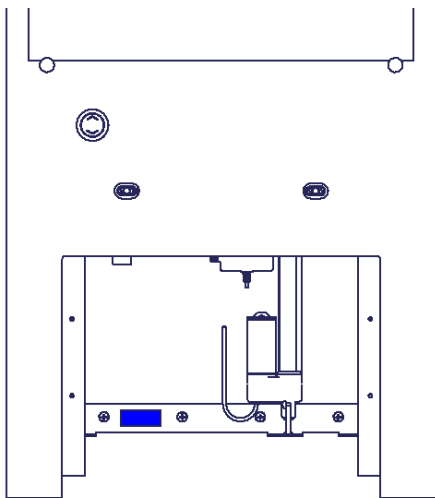
After completing the installation and before use, all functions of the Ropox Slimline must be tested. Subsequently, a functionality test must be carried out at least once a year by qualified personnel:

1. Check that the mounting instructions have been observed.
2. Check that all screws and bolts are fixed.
3. Check that all drain and connection hoses are correctly connected.
4. Check that there is no load on the frame or any objects preventing its movement.
5. Check that there are no objects preventing the frame from moving freely within the height adjustment range.

If the above points are observed, the Ropox Slimline is ready to use. See the section "Safety in use".

Label

Each unit has its own label as illustrated. This label contains important information, which must be stated in connection with inquiries to the supplier.



Symbols



The user manual must be read prior to use.



Waste must be sorted – for recycling, if possible.



Ropox is the manufacturer of this product.



CE marking. This product meets the requirements for *General Safety and Functionality* of the relevant EU directives and standards.

Safety in use

- The height adjustment of Ropox Slimline Electric may only be used by persons who have read and understood these instructions.
- Ropox Slimline Electric may not be used as a lifting table or as a person lifter.
- Always use the product in a manner excluding the risk of damage to persons or property.
- If the product is used in publicly accessible locations, where especially children or other persons with reduced observation capability may get near the Ropox Slimline Electric, the person operating the washbasin must pay sufficient attention in order to prevent dangerous situations.
- Make sure that there is free space above and below the washbasin to allow free height adjustment.
- Do not use the Ropox Slimline Electric in case of error or damage.
- Any modification to components, which may influence the operation and construction of the Ropox Slimline Electric, is forbidden.
- Installation, service, and repairs may only be carried out by qualified personnel.
- In case of inspections, service, or repairs, make sure that the washbasin is not loaded.

Troubleshooting

Problem	Solution
The washbasin does not move up or down when pressing the hand control.	Check if: <ul style="list-style-type: none"> • 230 V is connected, and if the power is on. • The engine is connected to the control box. • The control is connected to the control box. • The engine is overloaded. (NOTE: For every 2 minutes of use, it needs 18 minutes of rest).
Hand control is defect.	Check if: <ul style="list-style-type: none"> • The washbasin can be height adjusted by means of another control.
When pressing the UP and DOWN buttons, only "click" sounds come out of the control box – no movement.	<ul style="list-style-type: none"> • The plug may not be mounted correctly. • Remove all cables from the control box, and mount again. • Maybe a "Reset" is needed. See the instructions below.
The frame seems loose and unstable.	<ul style="list-style-type: none"> • Tighten all screws of the frame, cf. the mounting instructions.
The washbasin cannot be height adjusted, or the height adjustment feels very difficult.	<ul style="list-style-type: none"> • Check that there are no jammed objects preventing the height adjustment.
It takes too long for the water to leave the washbasin.	Check the siphon for clogging and clean it, if required. Check that the flexible hose has not been positioned so high on the wall that it acts as an additional siphon. Check that connection hoses are not kinked or twisted on the hose. Adjust the hoses so that they are not kinked/twisted.

Reset: Press and hold the UP (▲) and DOWN (▼) buttons at the same time. Keep the buttons depressed for approx. 10 seconds. Now move the frame to bottom position for resetting.

Maintenance



Inspections, service, and repairs must be carried out by qualified personnel

The frame of the Ropox Slimline Electric is maintenance-free. Moving parts have been lubricated for life. For reasons of safety and reliability, we recommend inspection of the frame once a year.

Performance test

After one month

Check: Mounting of fixtures

The connection of the flexible hoses – water supply and drain

Once a year

Move the washbasin to top position and check:

- That all screws and bolts are fixed.
- That the frame can move freely and unhindered from bottom to top position without problems.
- That water connection hoses and drain hoses are tight and functional and able to move unhindered.
- Press the DOWN (▼) button, move the frame to bottom position and check that the movement is even and smooth. Make sure that the hose connections follow the movements of the frame, and that they do not get squeezed.
- Now press the UP (▲) button, move the frame to top position and check that the movement is even and smooth. Make sure that the hose connections follow the movements of the frame, and that they do not get squeezed.

Efter each inspection, the service schedule must be completed. See next page.



Only use original Ropox spare parts as replacement parts. If other parts are used, the warranty may be void.

Service schedule

Service and maintenance Serial no.
Date: _____
Signature: _____
Remarks: _____

Service and maintenance Serial no.
Date: _____
Signature: _____
Remarks: _____

Service and maintenance Serial no.
Date: _____
Signature: _____
Remarks: _____

Service and maintenance Serial no.
Date: _____
Signature: _____
Remarks: _____

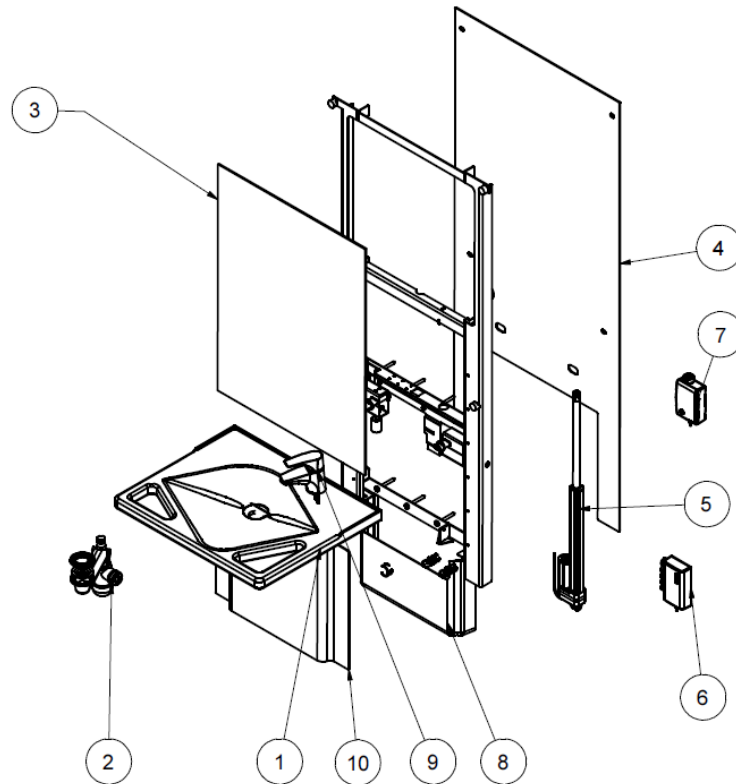
Service and maintenance Serial no.
Date: _____
Signature: _____
Remarks: _____

Service and maintenance Serial no.
Date: _____
Signature: _____
Remarks: _____

Service and maintenance Serial no.
Date: _____
Signature: _____
Remarks: _____

Service and maintenance Serial no.
Date: _____
Signature: _____
Remarks: _____

Spare parts



Position	Description	Number in product	Item no.
1	60 cm straight support washbasin	1	97001582
2	Plumbing kit for SlimLine	1	40-15612
3	Mirror 600x800x5	1	97002454
4	Top cap	1	40*15601-084
5	Actuator	1	97002671
6	Control box	1	97002672
7	Power supply	1	97002679
8	Installation cover	1	40-15610
9	Oras Saga 3910F	1	97001706
10	Bottom cap	1	40*15601-062
11	Control	1	97002674

Complaints

See general terms of sale and delivery on www.ropox.dk.

ROPOX A/S
Ringstedgade 221
DK – 4700 Næstved
Tel.: +45 55 75 05 00 Fax.: +45 55 75 05 50
E-mail: info@ropox.dk
www.ropox.dk

