

”Technically modern tables
with a timeless look”



ROPOX ERGO GROUP TABLE

GROUP TABLES SUITABLE FOR ALL PEOPLE, REGARDLESS OF MOBILITY

The Ergo Group tables are used for meetings, dining, teaching and a range of other activities which all have one common denominator: They are used by several people with different physical needs at the same time.

The robustness and stability along with the elegant design make Ergo Group Tables well-suited for multiple purposes and people including wheelchair users since the table is created without cross bars guaranteeing easy access to the table.

The mat grey table top surface is highly practical and you can manually adjust the table height with the detachable handle.



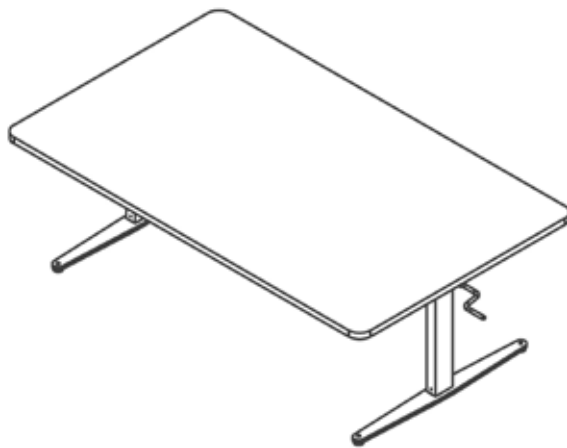
ROPOX ERGO GROUP TABLE

Max. load capacity: 100 kg
Height: 56-90 cm
Depth: 165, 200 or 240 cm
Width: 100 cm
Inner Width: 135 cm
Frame Colour: Silver Grey

TECHNICAL INFORMATION

SIZE	ITEM NO.
165 x 100 cm	20-71116
200 x 100 cm	20-71120
240 x 100 cm	20-71124

All tables are height adjustable from 56-90 cm.



ACCESSORIES

4 Brake wheels,
increase height by 8 cm
Item: 20-50340



4 Brake wheels,
increase height by 8 cm
Item: 20-50300



Castors with brake
without height increase
Item: 20-60817



Arm support
incl. bag and hook
Item: 20-60520



Arm support lock-able
incl. hook and bag
Item: 20-60517



Rail for Arm support,
for table width 165/200/240 cm
Item: 20-60525/20-60526/20-60527

