

# ErgoGrouptable

User Manual

Mounting Instructions

Service Manual

**Keep this manual with the product at all times**

## Contents

1. Technical data .....	3
2. Introduction .....	4
3. Conformity with EU Directive .....	4
4. Application .....	4
5. List of components.....	5
6. Mounting instructions.....	7
7. Height adjustment of table .....	10
8. Performance test .....	11
9. Safety in use .....	11
10. Cleaning/ maintenance .....	12
11. Fault finding .....	13
12. Accessories .....	13
13. Complaint .....	14

## 1. Technical data

<b>Product name:</b>	<b>ErgoGrouptable</b>
<b>Item numbers:</b>	<b>Height 56-90cm incl. tabletop</b> 165x100cm: 20-71116 200x100cm: 20-71120 240x100cm: 20-71124
<b>Height adjustment:</b>	56-90 cm (manual) incl. tabletop
<b>Materials:</b>	Steel St. 37 Various plastic components
<b>Tabletop:</b>	Laminate
<b>Surface treatment:</b>	Powder coating Chromate
<b>Max. load on frame (static):</b>	100 kg evenly distributed over the tabletop
<b>Max. lifting power during height adjustment (dynamic):</b>	50 kg
<b>Complaint:</b>	See Complaint page 15
<b>Manufacturer</b>	Ropox A/S, DK-4700 Næstved, Tel.: +45 55 75 05 00 e-mail: <a href="mailto:info@ropox.dk">info@ropox.dk</a> , <a href="http://www.ropox.dk">www.ropox.dk</a>

## 2. Introduction

ErgoGrouptable is the name of the new height-adjustable table program from Ropox.

The ErgoGrouptable and accessories are ideal for a variety of activities.

The ErgoGrouptable has a functional design developed for people moving around with or without assistive devices, for bookworms, computer freaks or playing children.



This manual must ALWAYS accompany the product, be read by and available to the user.

Correct use, operation and inspection are decisive factors for efficient and safe performance.



This product is height-adjustable and there is therefore a crushing hazard. The height adjustment must be carried out by or under the supervision of an adult, who has read and understood the importance of Section 9 "Safety in use"

## 3. Conformity with EU Directive

This product has CE marking and is thus in accordance with the basic requirements concerning functionality and safety of the current EU Directive.

## 4. Application

The ErgoGrouptable is designed with a view to obtaining optimum working height for the user. It is an activity table and must not be used as a lifting table or person lifter.

The table is intended for indoor use under normal room temperatures and humidity.

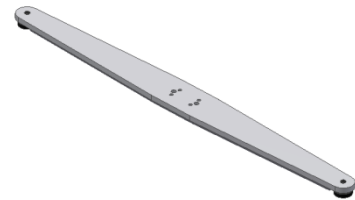
## 5. List of components

Leg section \_\_\_\_\_ 1 pc.



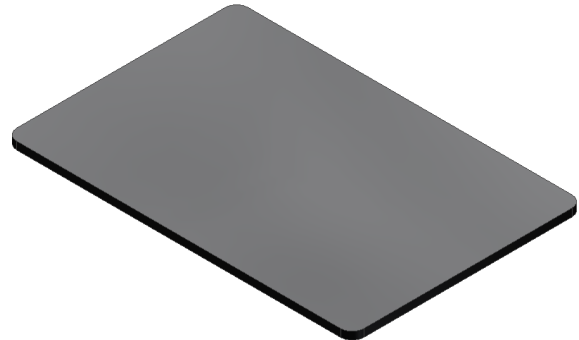
Foot \_\_\_\_\_ 2 pcs.

(Provided with adjustment screws)



Tabletop \_\_\_\_\_ 1 pc.

(Provided with brackets)



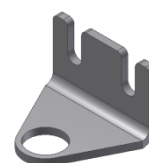
Insex screw M8x35 950100835: \_\_\_\_\_ 8 pcs.



Extension bracket : \_\_\_\_\_ 2 pcs.



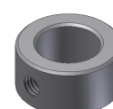
Bearing suspension : \_\_\_\_\_ 2 pcs.



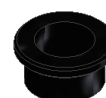
Spånpladeskrue 5x20 : \_\_\_\_\_ 4 pcs.



Stopring: \_\_\_\_\_ 2 pcs.



Kravebøsning: \_\_\_\_\_ 2 pcs.

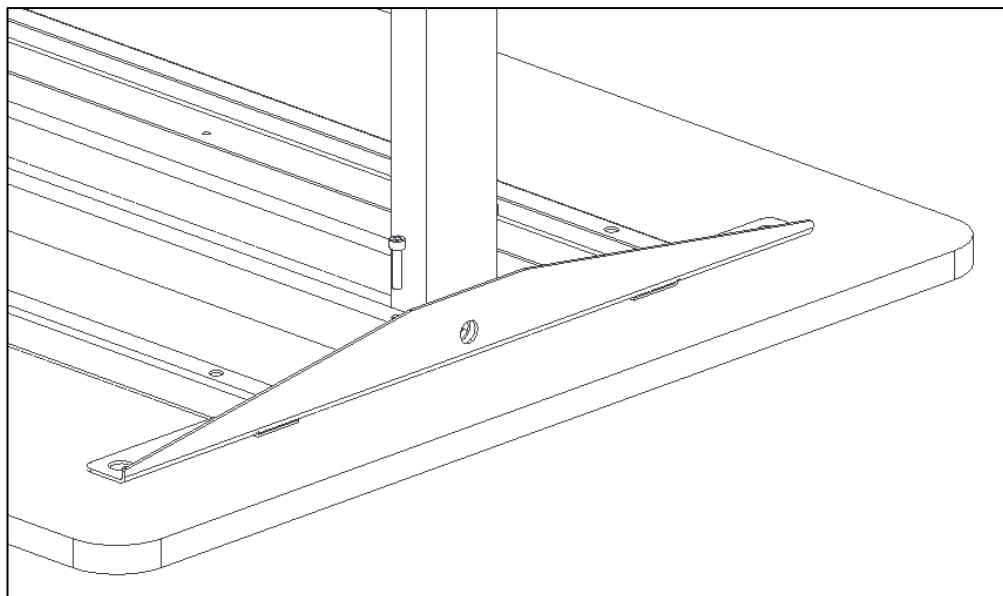
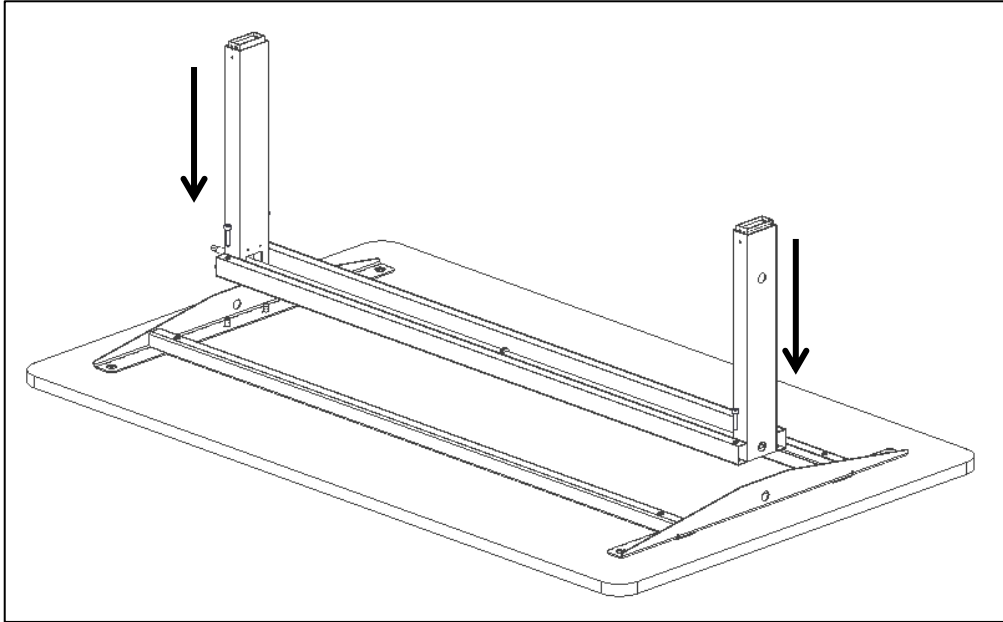


Hand crank : \_\_\_\_\_ 1 pc.



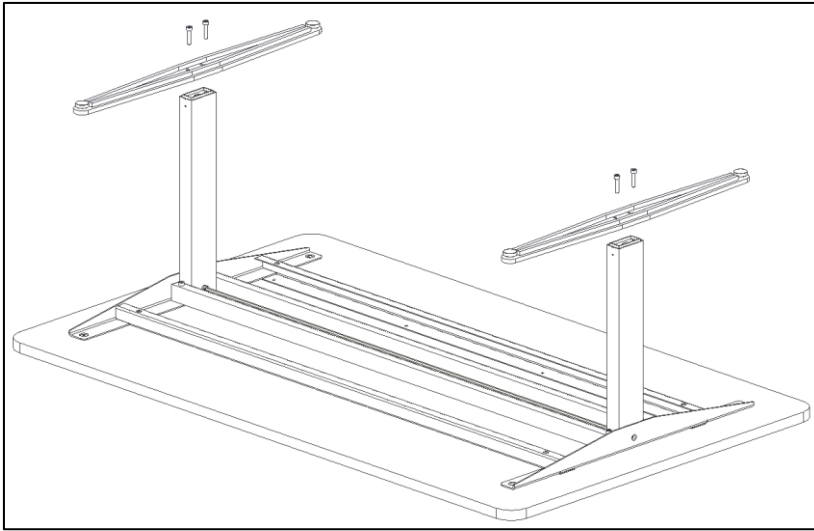
## 6. Mounting instructions

### 1. Mounting of leg section on tabletop

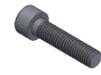


4x  M8x35

## 2. Mounting of feet

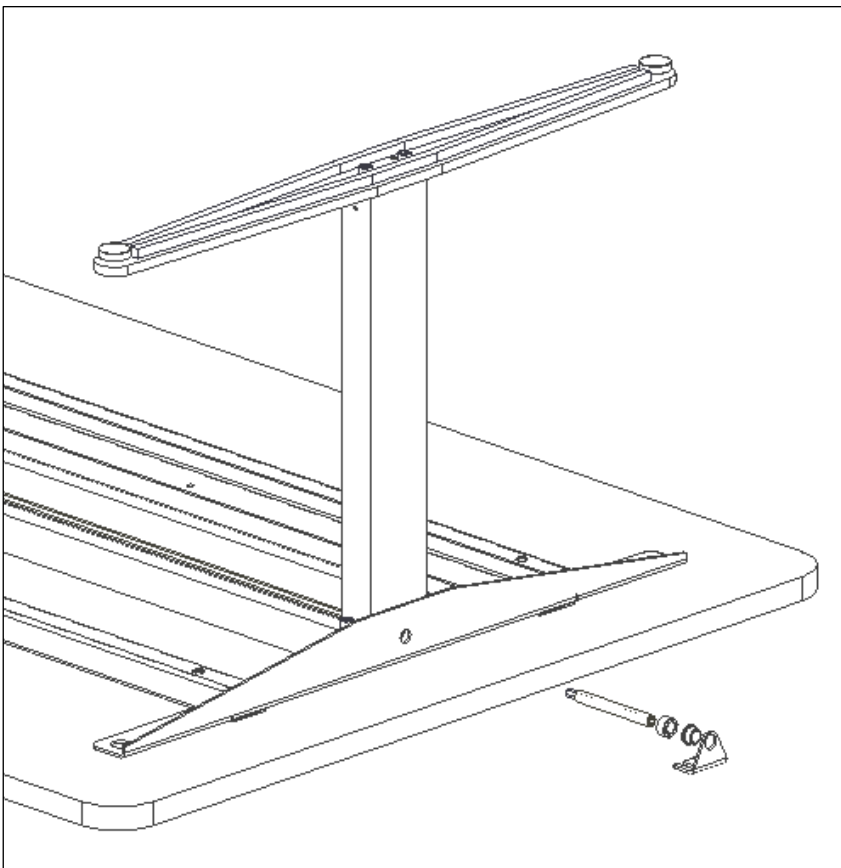


4 X

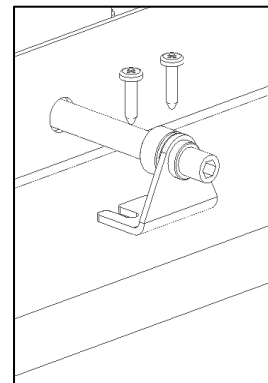
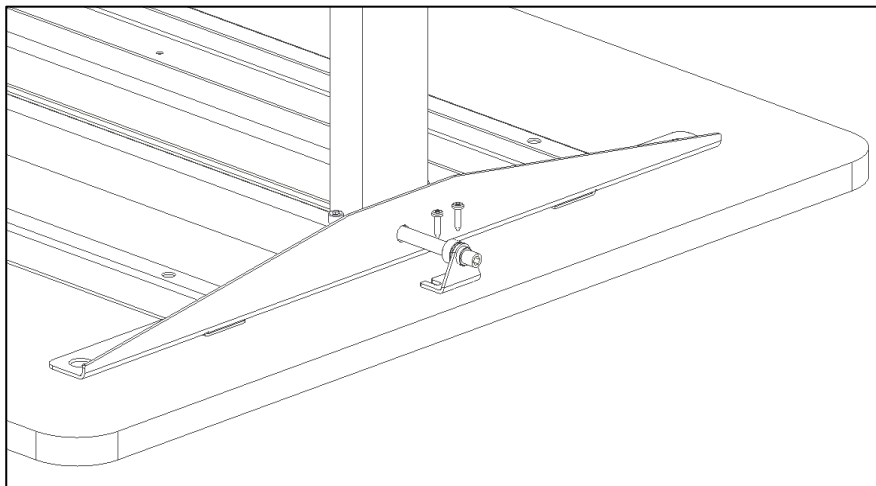


M8x35

## 3. Mounting of Extension bracket







4 X

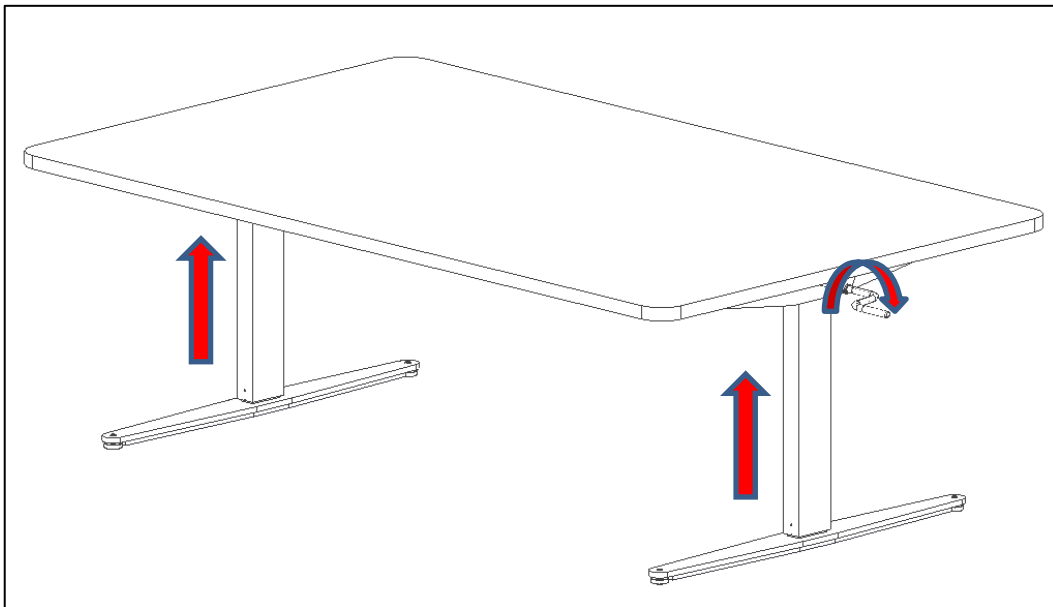


## 7. Height adjustment of table

### 1. Mounting of hand crank



The height is adjusted by turning the hand crank on the side of the table manually. When turning the hand crank clockwise, the table will move upward.



## 8. Performance test

After completed installation and before use, all functions of the table must be tested. After that, a performance test must be carried out at least once a year by competent personnel.

1. Check that the mounting instructions have been observed.
2. Check that all bolts have been tightened.
3. Make sure that there is no load on the table.
4. Make sure that there are no objects or the like preventing the table from moving unhindered within the range of height adjustment.
5. Place the hand crank as illustrated in the manual and adjust the table to bottom position. Check that the movement is even and smooth.
6. Now adjust the table to top position and check that the movement is even and smooth.

When these tests have been carried out successfully, the table is ready for use.  
See "Safety in use", Section 9.

## 9. Safety in use

- The ErgoGrouptable must only be used by persons, who have read and understood these instructions.
- The ErgoGrouptable is an activity table and must not be used as a lifting table or person lifter.
- Always use the table in a manner excluding the risk of damage to persons or property. The person operating the table is responsible for avoiding damage or injury.
- Make sure that there is free space above and below the table to allow height adjustment.
- Do not operate the table in case of defects or damage.
- Do not overload the table and ensure that the load distribution is correct.
- During inspections, service or repairs any load must be removed from the table.
- Modifications, which may influence the performance or design of the table, are not allowed.
- Assembly, service and repairs must be carried out by competent personnel.
- If the table has not been assembled according to these mounting instructions, the guarantee may become void.
- Only use Ropox original spare parts for replacement. If other spare parts are used, the guarantee may become void.

## 10. Cleaning/ maintenance

### 10.1 Cleaning of frame

Dry the frame with a wrung cloth with lukewarm water and a mild detergent. Do not use Enchants or abrasives or grinding cloths, brushes or sponges.

After cleaning, dry the frame.

### 10.2 Cleaning of tabletop, laminate

Clean the laminate tabletop with a soft cloth wrung in hot water with a liquid detergent, which is not sulfonated, as this will result in a greasy surface. Stains that cannot be removed with water may often be removed with equal parts chlorine and water or with acetone. When using these materials, be aware of airing of the room and make sure that the frame does not get in touch with these cleaning materials.

Stains from felt-tip pens may be removed by means of ordinary denatured alcohol. Pencil strokes should be removed with a piece of rubber. Certain chemicals, ink and strongly coloured fruit juices may – if they are left on the tabletop for a longer period – result in discoloration as the colour pigments stick to the surface.

Never use steel wool, scouring powder or cleaning materials, which leave a film on the surface, e.g. yellow soap.

After cleaning, it is recommendable to wash the surface with a cloth wrung in clean water and dry with a soft cloth.

### 10.3 Maintenance



Inspections, service and repairs must be carried out by competent personnel

The frame is maintenance-free and moving parts have been lubricated for life. For reasons of safety and reliability, we recommend inspection of the frame once a year:

- Check that all bolts have been securely fastened.
- Check that the table moves from bottom to top position without problems.

Only use Ropox original spare parts for replacement. If other spare parts are used, the guarantee may become void.

## 11. Fault finding

### 11.1 The table seems loose or unstable

- The assembly screws have not been securely tightened.
- Retighten all screws, cf. mounting instructions.

### 11.2 The height/tilting cannot be adjusted (adjustment is very difficult)

- Check that there is no load on the table.
- Check the table for physical overloading or damage.

## 12. Accessories

Castors:

Item No. 20-50340



## 13. Complaint

See General Terms of Sale and Delivery on [www.ropox.dk](http://www.ropox.dk)



**ROPOX A/S**

Ringstedgade 221

DK – 4700 Næstved

Tel.: +45 55 75 05 00 Fax.: +45 55 75 05 50

E-mail: [info@ropox.dk](mailto:info@ropox.dk)

[www.ropox.dk](http://www.ropox.dk)