

# 4Single Battery

User manual

Installation instructions

**This manual must always accompany the product**

# Table of Contents

|   |           |
|---|-----------|
| <b>Table of Contents</b> .....                    | <b>1</b>  |
| <b>1 Introduction</b> .....                       | <b>3</b>  |
| <b>2 Technical data</b> .....                     | <b>4</b>  |
| <b>3 List of components</b> .....                 | <b>5</b>  |
| 3.1 Optional extras .....                         | 6         |
| <b>4 Replacement instructions</b> .....           | <b>6</b>  |
| 4.1 Installing the control.....                   | 8         |
| <b>5 Replacement instructions</b> .....           | <b>9</b>  |
| 5.1 Function test.....                            | 9         |
| <b>6 Safety</b> .....                             | <b>10</b> |
| <b>7 Maintenance</b> .....                        | <b>11</b> |
| 7.1 Service forms, operation and maintenance..... | 12        |
| 7.2 Waste disposal.....                           | 13        |
| <b>8 Complaints</b> .....                         | <b>14</b> |

# 1 Introduction

---



It is important that you read this manual before using this product.

Product: 4Single Battery Pack

Manufacturer: Ropox, DK-4700 Næstved, Tel. +45 55 75 05 00

Area of application: The 4Single Battery Pack is an extra pack for the 4Single electric multifunction table. This replacement kit allows the table to be made even more flexible and easy to transport.

The battery pack is available in two versions, so that the table's height adjustment function is just right for the desired purpose. One provides the facility for rapid movement, while the other allows for a far heavier loading of the table during lifting.

The unit must be used indoors in temperature and humidity conditions in the home as described in section 2. The 4Single table and the battery pack are not designed for use in damp rooms.



The control box has an IP32/II tightness class and must always be located in accordance with heavy current regulations or equivalent national or international standards.

Users of this product are obliged to observe these instructions. It is extremely important that the instructions have been read and understood before the product is used, as correct use, operation and inspection are crucial for effective, safe functionality.



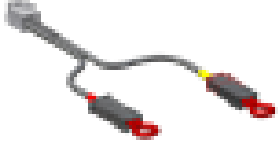

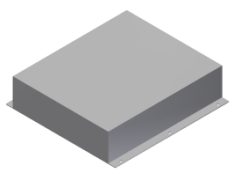
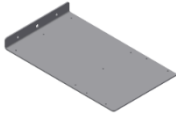






This product is electrically height-adjustable and therefore poses a risk of crushing. Any operation must be carried out by or under the supervision of an adult who has read and understood the importance of section 9 "Safe operation"

## 2 Technical data

|                             |   |                      |
|-----------------------------|---|----------------------|
| <b>Product number</b>       | 4Single Battery Pack (rapid)<br>4Single Battery Pack (heavy load) | 50-47013<br>50-47014 |
| <b>Materials</b>            | Steel and misc. plastic parts                                     |                      |
| <b>Surface treatment</b>    | Powder coating: st. CWS 81283 RAL 7021 mat                        |                      |
| <b>Power supply</b>         | 230V AC/2.5A/50Hz   |                      |
| <b>Battery</b>              | Output voltage: 24V DC; Output current limit: Max. 15A            |                      |
| <b>Intermittence</b>        | Max. 10% = 1 min. active/9 min. pause                             |                      |
| <b>Operational capacity</b> | Number of lifts when fully loaded: min. 100 times.                |                      |
| <b>Max. load</b>            | 130 kg evenly distributed over whole frame                        |                      |
| <b>Speed/time of lift</b>   | Approx. 32 mm/s – approx. 10 seconds.                             |                      |
| <b>Heavy load</b>           | 250 kg evenly distributed over whole frame (optional extra)       |                      |
| <b>Speed/time of lift</b>   | Approx. 12 mm/s – approx. 25 seconds.                             |                      |
| <b>Temperature</b>          | 5-45°C  |                      |
| <b>Humidity</b>             | 5-85% (non-condensing)  |                      |

### 3 List of components

|            |   |     |       |   |
|------------|---|-----|-------|---|
| 96000588   | Control box                                       |     | 1     |   |
| including: |   |     |       |   |
| 98002014   | Y-lead to safety shutout connectors with resistor | End | 1 2   |    |
| 98002013   |   |     |       |   |
| 96000578   | Battery (incl. charger)                           |     | 1 set |   |
| 97701-731  | Mount for control box and battery                 |     | 1 set |   |
| 95091012   | Screw $\varnothing 4.8 \times 13$                 |     | 12    |    |
| 30-67840   | Control, small surface (6 x 3 cm)                 |     | 1     |    |

|          |   |         |   |   |
|----------|---|---------|---|---|
| 96000629 | Split cable for control<br>more than one control required | Used if | 1 |  |
| 30-67840 | Extra control<br>more than one control required           | Used if | 1 |  |

### 3.1 Optional extras

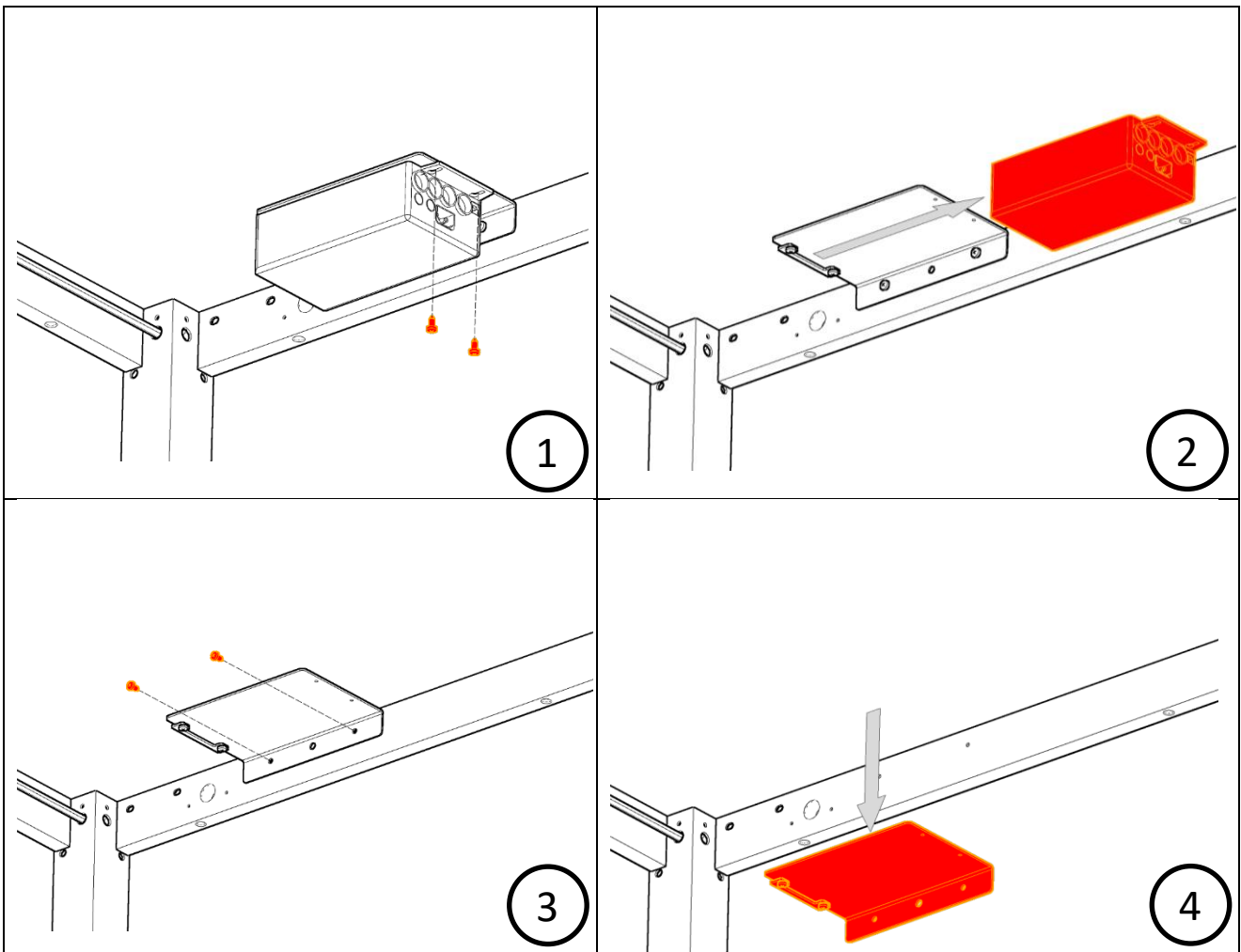
## 4 Replacement instructions

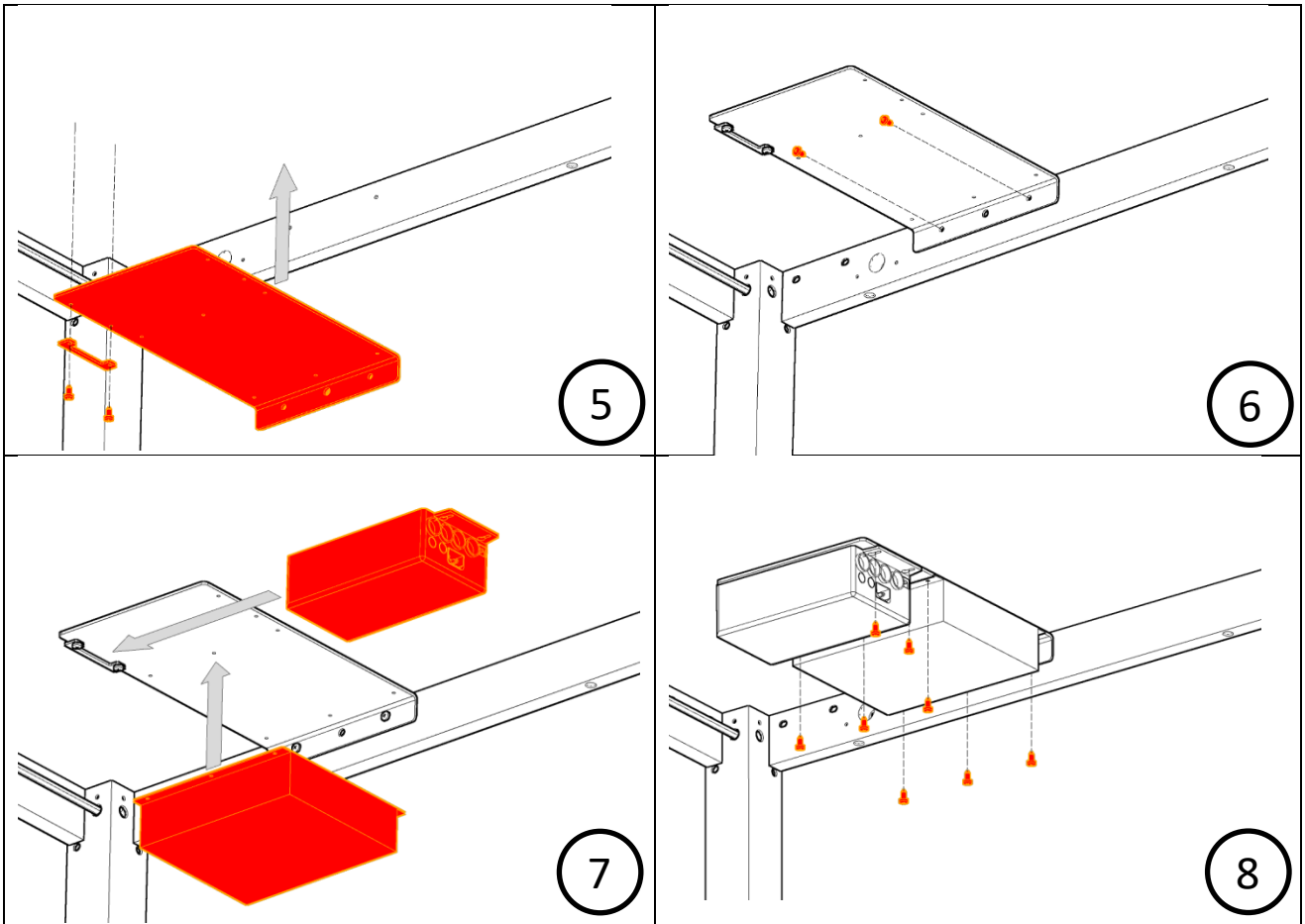
Before you start replacing the old control with the battery pack, refer to the list of components to make sure that all parts have been included. See list of components, section 3.



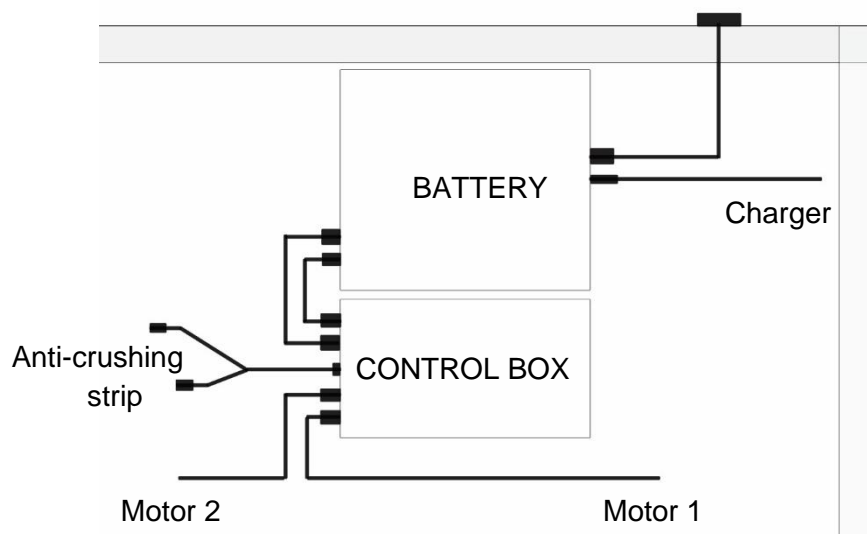
Installation must always be carried out by competent personnel.

Detach all cables leading to and from the control box before replacing the control.

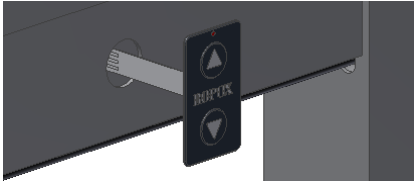




Attach the cables supplied and the existing cables (to motors, anti-crushing strips and controls) as shown in the diagram below.



# 4.1 Installing the control





# 5 Replacement instructions

## 5.1 Function test

Once the control has been replaced and before the unit is used, you must always perform a full test of all of the table's functions. The same function test must then always be performed at least once a year by competent personnel:

### 5.1.1 Before testing the battery:

1. Check that the installation instructions have been followed.
2. Check that all bolt connections are securely tightened.
3. Check that all cables have been connected correctly and that the plugs have been pushed in completely.
4. There must be no load on the table.
5. There must not be any objects or the like that might prevent the table from moving within the height setting range.

### 5.1.2 Now switch on the battery:



The battery has no standby consumption. This means that in order to operate the table, the button needs to be pressed twice, the first time in order to activate the battery.

6. Press the DOWN button and lower the table to the lowest position. Press the DOWN button once more and hold it down for an additional 5 seconds to reset the control box. Check that the movement takes place in an even, controlled way.
7. Now press the UP button and raise the table to the highest position, and make sure that this takes place in an even, controlled way.
8. If anti-crushing strips are attached beneath the table top, these must be tested.

Press the DOWN button and allow the table to move 2-5 cm while enabling the anti-crushing strip at the same time. The table will now stop its downward movement, move 1-2 cm upwards and stop.

Once all the above items have been checked, you can use the table.

See section 9, "Safe operation".

## 6 Safety

**For optimal use of the battery pack's functions and to avoid accidents, it is important to act in accordance with these basic recommendations.**

- The 4Single Battery Pack may only be used by people who have read and understood these instructions.
- The table must not be operated if any fault or damage has occurred.
- Do not overload the table and make sure that the load distribution is correct.
- Tables with a battery pack may not be used in an explosive environment.
- The frame must be free of any load in connection with inspections, service or repairs.
- When installing electricity and water, the national authorities' guidelines must be observed.
- Any modification that might affect the function or structure of the table and the battery pack is not permitted.
- Installation, service and repairs may only be performed by personnel with the appropriate competence.
- If the battery pack is not installed in accordance with the installation instructions, any right to make a claim under warranty may be revoked.
- Only Ropox's original spare parts may be used when replacing parts. If other spare parts are used, any right to make a claim under warranty may be revoked.
- The aforementioned operating time/intermittence may not be exceeded.

## 7 Maintenance

---



### CAUTION

Under no circumstances must the battery be connected to mains power (i.e. for recharging) while the table is being cleaned and electrical components must not be washed with water.

For safety and operational reasons, we recommend an annual inspection of the frame:

- Check that all bolt connections are securely tightened.
- Check that the table can move freely and without restriction from the lowest position to the highest position without any problems.
- **Resetting the frame:** Press the DOWN button and lower the frame to the lowest position. Press the DOWN button once more and hold it down for an additional 5 seconds to reset the control box. Check that the movement takes place in an even, controlled way.
- Check that all leads are correctly fitted and are undamaged.

Fill in the service form after each inspection. See section 7.1.

Only Ropox's original spare parts may be used when replacing parts. If other spare parts are used, any right to make a claim under warranty may be lost.

## 7.1 Service forms, operation and maintenance

|   |
|---|
| <b>Service and maintenance Serial no.</b> |
| <b>Date:</b><br>_____                     |
| <b>Signature:</b><br>_____                |
| <b>Comments:</b><br>_____                 |

|   |
|---|
| <b>Service and maintenance Serial no.</b> |
| <b>Date:</b><br>_____                     |
| <b>Signature:</b><br>_____                |
| <b>Comments:</b><br>_____                 |

|   |
|---|
| <b>Service and maintenance Serial no.</b> |
| <b>Date:</b><br>_____                     |
| <b>Signature:</b><br>_____                |
| <b>Comments:</b><br>_____                 |

|   |
|---|
| <b>Service and maintenance Serial no.</b> |
| <b>Date:</b><br>_____                     |
| <b>Signature:</b><br>_____                |
| <b>Comments:</b><br>_____                 |

|   |
|---|
| <b>Service and maintenance Serial no.</b> |
| <b>Date:</b><br>_____                     |
| <b>Signature:</b><br>_____                |
| <b>Comments:</b><br>_____                 |

|   |
|---|
| <b>Service and maintenance Serial no.</b> |
| <b>Date:</b><br>_____                     |
| <b>Signature:</b><br>_____                |
| <b>Comments:</b><br>_____                 |

| Faults   | Possible solutions   |
|--|--|
| The height of the frame cannot be adjusted (feels difficult to adjust) | <ul style="list-style-type: none"> <li>• Check that the battery is charged. If the battery level is so low that it is recommended that you recharge it, a warning sound will beep for 3 seconds.</li> <li>• Check leads and plug connections between the control box and motors.</li> <li>• Check leads and plug connections between the control box and control button.</li> <li>• Check that the anti-crushing strip is connected. (If no anti-crushing strip is connected, a shorting plug must be connected to the safety shutout lead.</li> <li>• If anti-crushing strips <b>are</b> connected, check that they are not enabled.</li> </ul> |
| The frame does not move smoothly                                       | <ul style="list-style-type: none"> <li>• If the frame does not move smoothly, you must reset it. See section 6, "Maintenance".</li> </ul>  |
| The table does not move when I press the control.                      | <ul style="list-style-type: none"> <li>• Please note that you must press the same button twice to make the table move. The first time is to enable the battery; the second time you hold down the button for the actual operation.</li> </ul>  |

## 7.2 Waste disposal

Used equipment must be disposed of in accordance with national legislation. We recommend that the product be dismantled as far as possible so that as much as possible can be reused. Examples of groups into which this product can be sorted: metals, plastic, electrical components, batteries and parts for destruction.

## 8 Complaints

All inquiries concerning complaints must be directed to the distributor representing Ropox on the market in question.

Cf. Ropox General Terms of Sale and Delivery.



**Ropox A/S**

Ringstedgade 221

DK – 4700 Naestved

Tel.: +45 55 75 05 00 Fax.: +45 55 78 05 50

E-mail: [info@ropox.dk](mailto:info@ropox.dk)

[www.ropox.dk](http://www.ropox.dk)