

Height-adjustable Unit for Ropox Toilet Support Arms

User Manual and Mounting Instructions

Keep this manual with the product at all times

Contents

CONTENTS	2
USER MANUAL	3
MOUNTING INSTRUCTIONS	7
SERVICE INFORMATION	11
SPARE PARTS	12
COMPLAINTS	133




It is important to read this manual prior to mounting and use

User manual

General product information

Height-adjustable Unit for Ropox Toilet Support Arms offers easy adjustment of the Ropox toilet support arms and provides optimum comfort for the user.

Technical data

Product name:	Height-adjustable Unit for Ropox Toilet Support	
Item number:	40-40907	
		
Adjustment range:	120 mm	
Materials:	Wall bracket	Surface-treated steel
	Cover	ABS
	Strips	PVC
	Knob	Aluminium
Surface treatment:	Knob	Powder-coating
	Steel	Blue chromate
Max. load:	Load tested in accordance with DS/ISO 17966, the max. user weight is 325kg.	
Unit weight:	4 kg (excl. of toilet support arm)	
Application temperature:	10-40° C	
Air humidity:	5-85 % (non-condensing)	
Manufacturer	Ropox A/S DK-4700 Næstved, Tel.: +45 55 75 05 00 E-mail: info@ropox.dk	



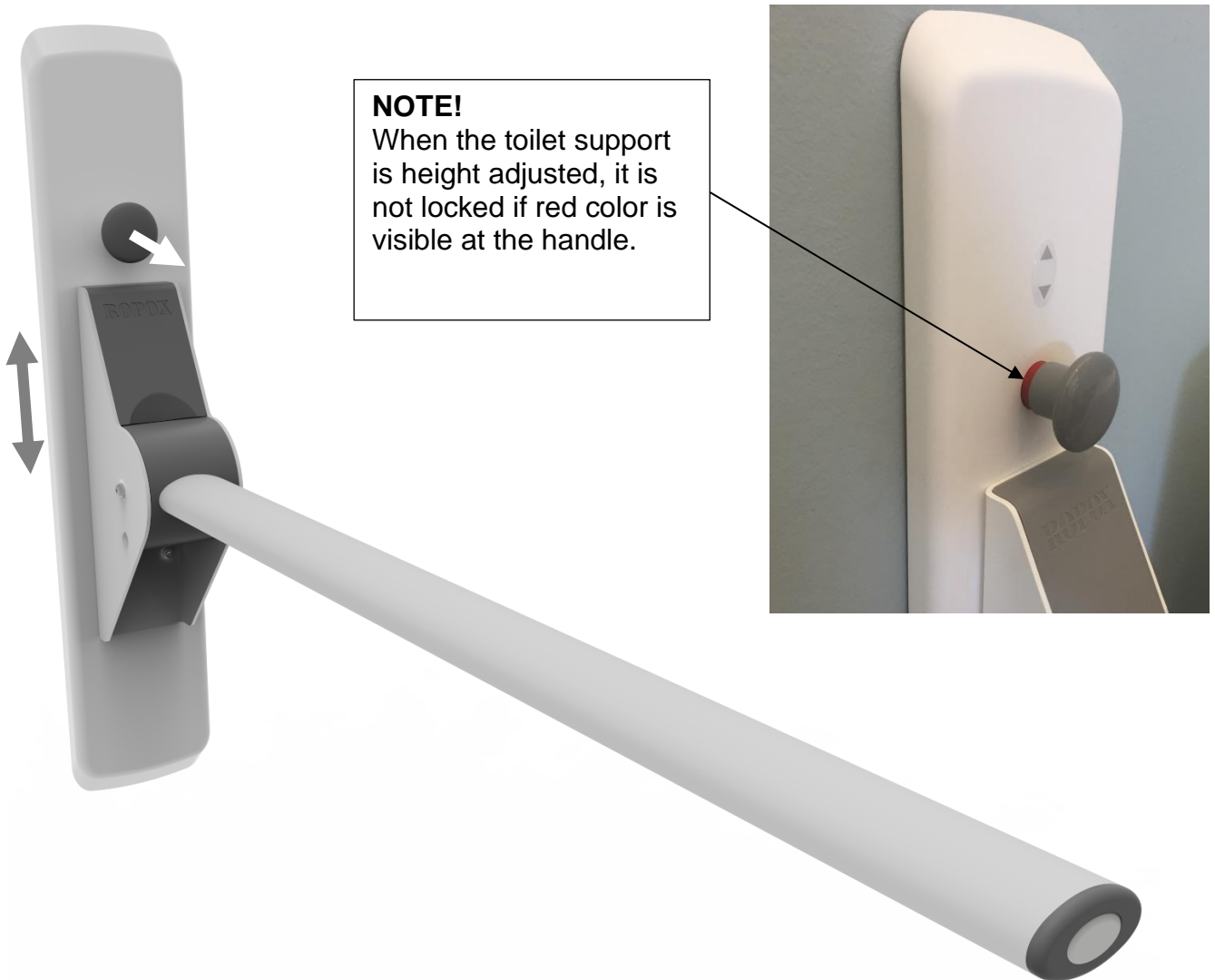
This product has CE marking and has been tested according to the European standards for assistive technology products DS/ISO 17966. The product meets the relevant requirements of the Medical Devices Directive 93/42/EEC and is in the lowest risk class 1.

Application

The unit is used to adjust the height of toilet support arms. It has been designed to ensure easy adjustment without the use of tools. The height can be adjusted by pulling the lever and placing the toilet support arm in the required height. The arm is locked automatically when you let go of the lever.

Height adjustment by means of lever

By pulling the lever, the toilet support arm can be adjusted 120 mm in height at increments of 15 mm.



User manual

Cleaning

The unit may get dirty during use and it is very important to clean it as described in these instructions.

Simply wipe the unit with a wrung cloth with lukewarm water and a customary cleaning agent. Do not use etching/grinding liquids or grinding cloths, brushes or sponges.

Disinfection of the unit may be made using customary disinfectants.

Label

Each unit has a label of its own. This label contains important information to be stated in connection with inquiries to the supplier.



Symbols:



The user manual must be read prior to use.



Waste must be sorted – if possible for recycling.



Ropox is the manufacturer of this product.



CE marking. This product meets the requirements for *General Safety and Functionality* of the relevant EU Directives and Standards.

Safety in use

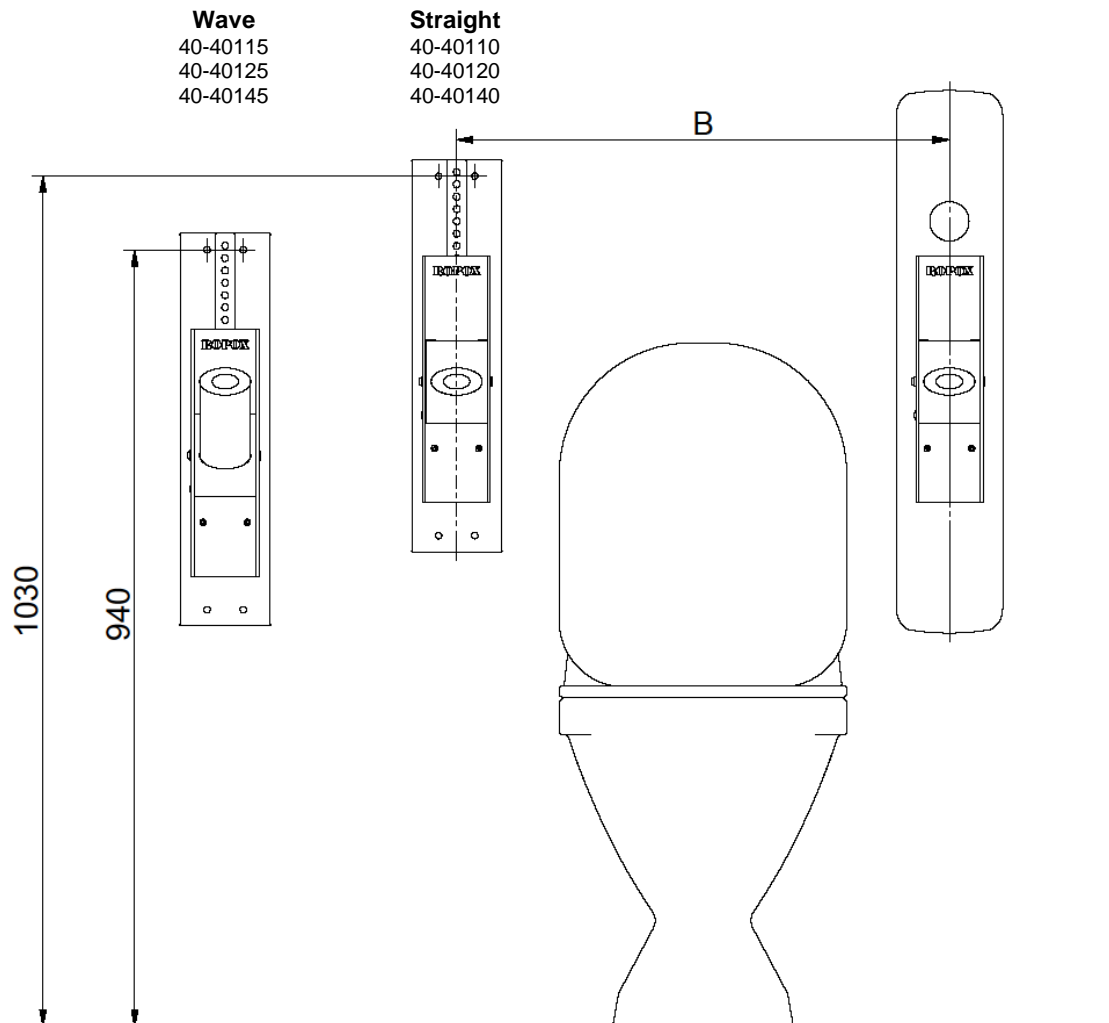
- The unit should only be operated by persons who have read and understood these instructions.
- Always use the unit in a manner excluding the risk of damage to persons or property. The person operating the unit is responsible for avoiding damage or injury.
- Modifications, which may influence the operation or construction of the Ropox height adjustment unit are now allowed.
- Installation, service and repairs should only be carried out by competent personnel.
- During inspections, service or repairs, load must be removed from the unit.

Mounting instructions

Installation interfaces

Location of upper holes

The location depends on the type of the toilet support arm. All dimensions are in mm and based on a fixed height to the top of the toilet support arm of 800mm +/- 60mm above the floor. If a change of this dimension is required, the recommended dimensions must be changed accordingly.



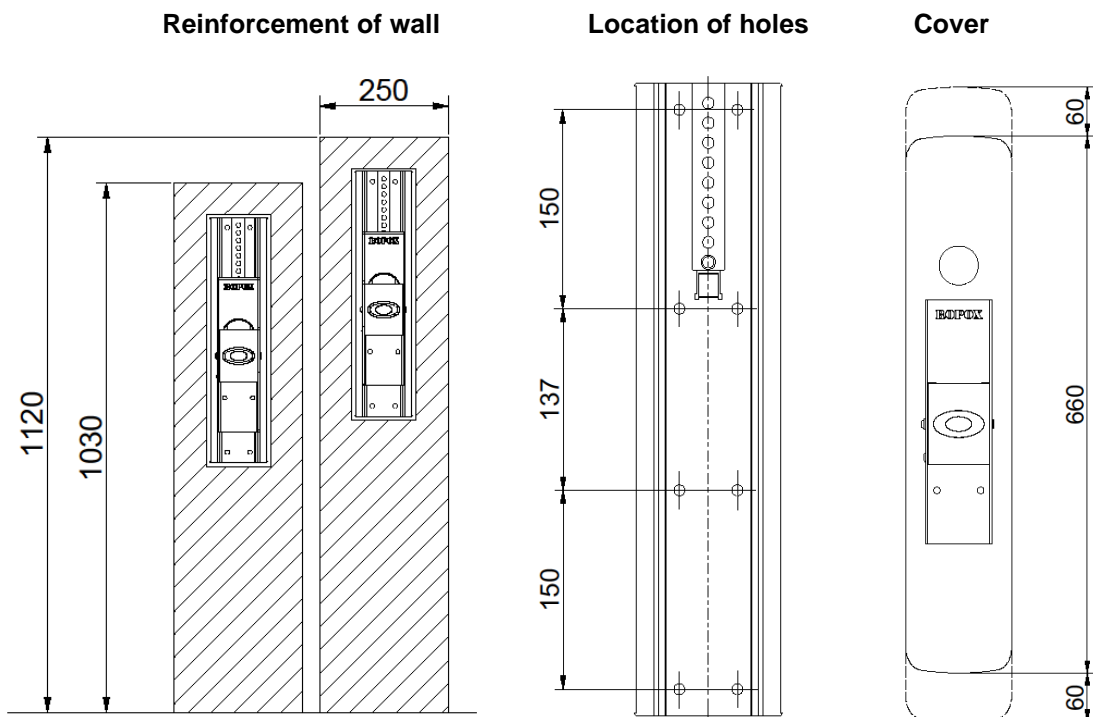
The distance B

The distance between the toilet support arms depends on the standard applied.

According to standard	B
DS 3028	660 mm (600 mm in between the arms)
DIN 18040-1	712-762 mm

Mounting instructions

Installation interfaces



The hatched area is the minimum area for reinforcement of the wall. Reinforcement from floor to ceiling is advisable. The holes are measured on the basis of the upper holes of the wall bracket and the location depends of the type of toilet support arm to be used. It must be ensured that the cover can move 60mm upward and downward.

The wall must be made of a material suited for screw mounting and approved for damp rooms. The unit is supplied with a set of eight screws and rawplugs suitable for mounting on a concrete wall. The fitter should always consider the material, condition and strength of the wall and use screws and rawplugs suitable for the specific wall type.

Toilet support arms	Max. User weight according to DS/EN 12182	Max. tensile load of upper screws
40-40110	190 kg	80 kg
40-40115	190 kg	80 kg
40-40140	385 kg*	160 kg
40-40145	385 kg*	160 kg
40-40150	255 kg	90 kg
40-40151	255 kg	90 kg
40-40152	385 kg*	160 kg

*Note that height adjustment can only handle 325 kg

Mounting instructions

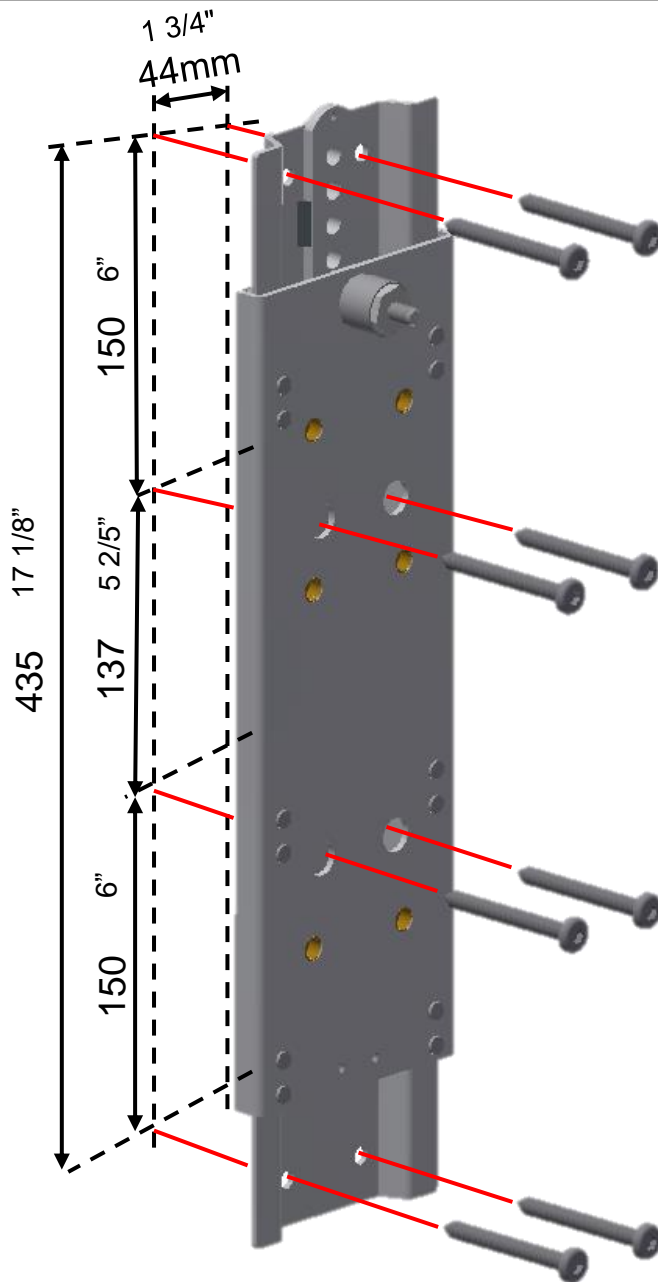
40-40907

Note:

Mounting of screws in the wall must always be made considering the strength and nature of the specific wall. The screws provided are intended as a guide for mounting on a reinforced wall considering the max. screw loads stated in the mounting

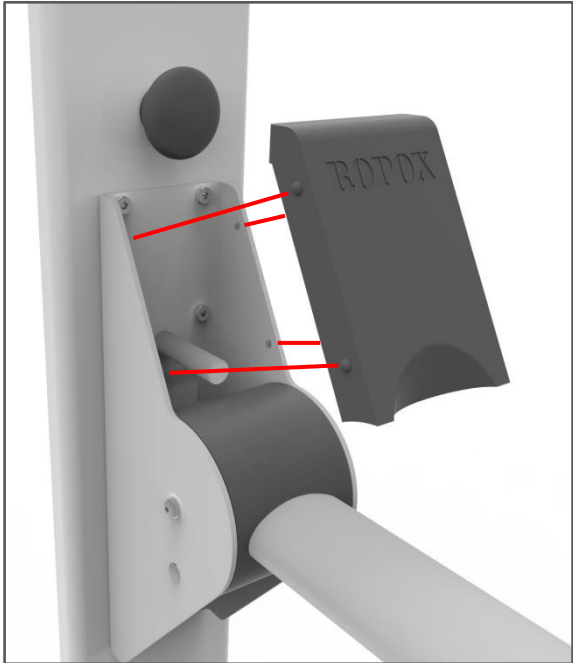
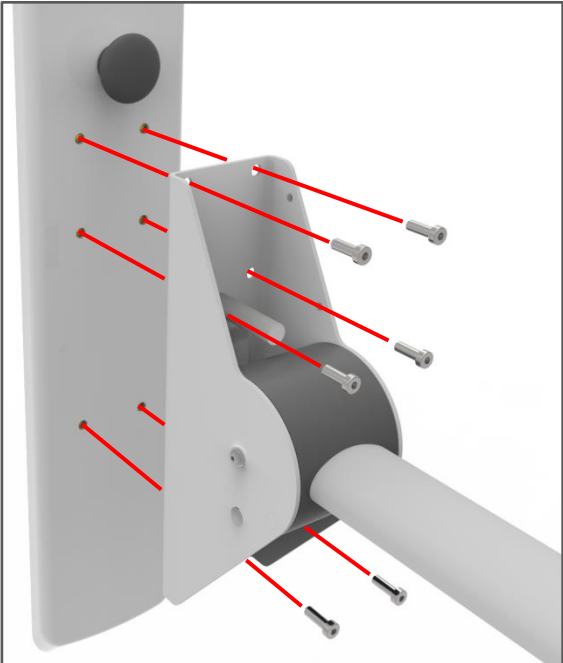
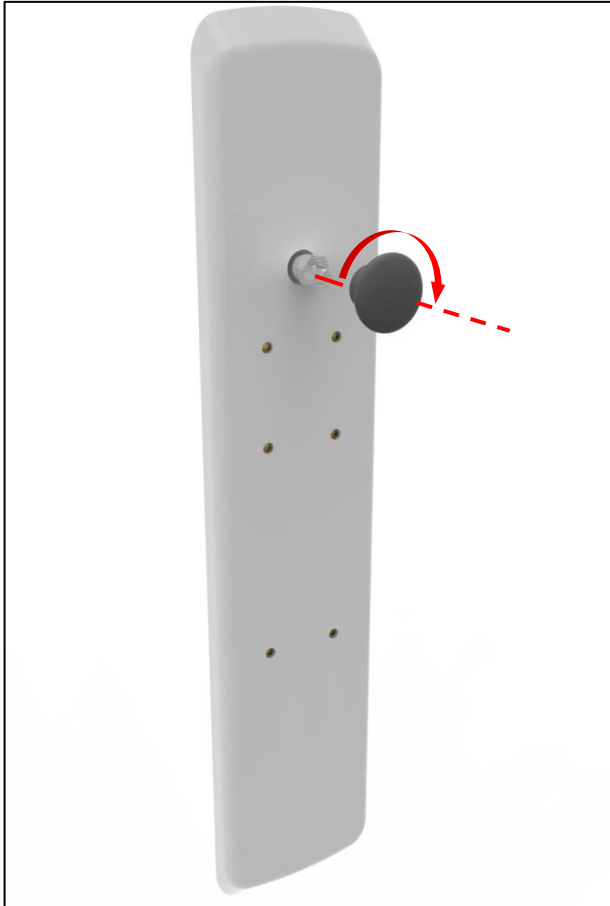
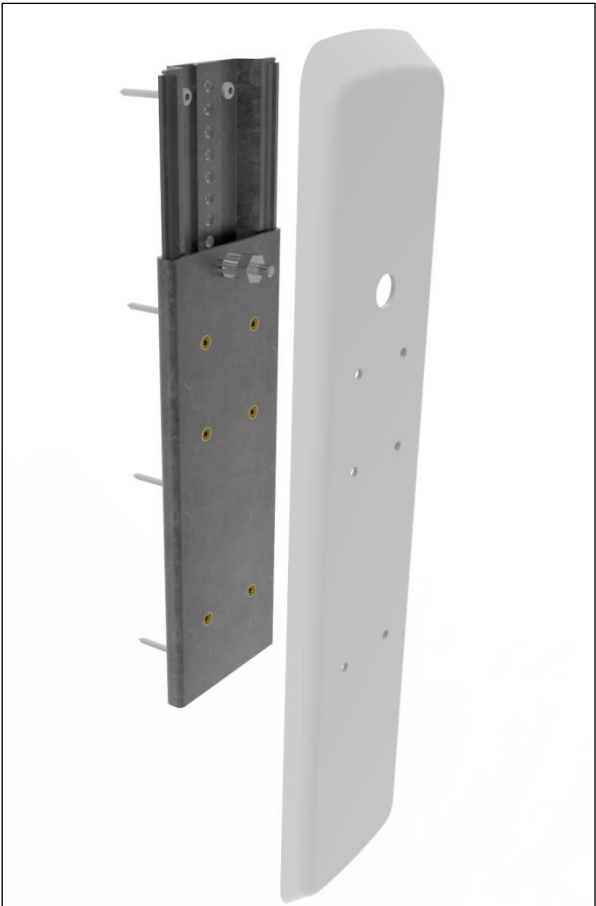
Note:

For location of the upper holes, see installation interfaces



Recommended:
8 x 7,5x72
8 x rawlplugs

Mounting instructions



Service information

Maintenance



Inspections, service and repairs must be carried out by competent personnel

Ropox height adjustment unit for toilet support arms is maintenance-free. Moving parts have been lubricated for life. For reasons of safety and reliability we recommend an annual performance test.

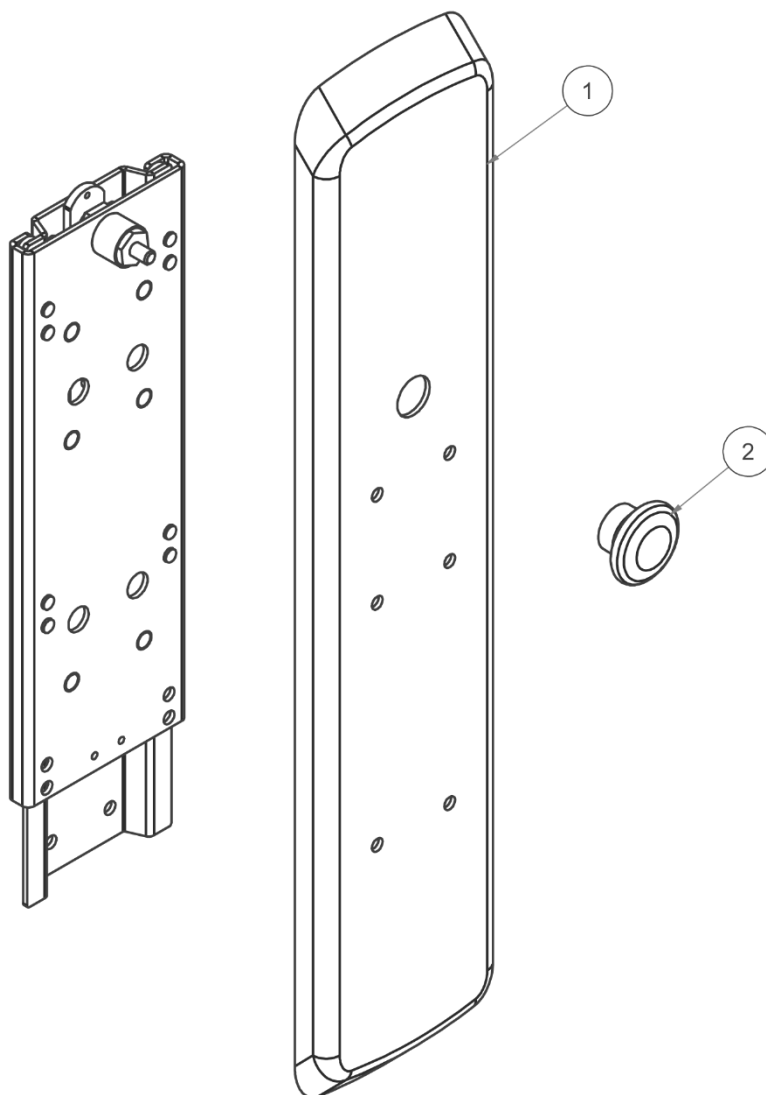
Service inspection

After one month

Check: Mounting of bolts and screws
 That the unit may easily be adjusted 120mm upward and downward..

Spare parts

40-40907



Part number	Description	Item number
1	Cover	40*40907-066
2	Knob	40*43043-027

Complaints

See General Terms of Sale and Delivery on www.ropox.dk



ROPOX A/S

Ringstedgade 221

DK – 4700 Næstved

Tel.: +45 55 75 05 00 Fax.: +45 55 75 05 50

E-mail: info@ropox.dk

www.ropox.dk