



Ropox Lateral Adjustment System for Support Washbasin USER MANUAL & MOUNTING INSTRUCTIONS

Always keep this manual with the product

Contents

PRODUCT INFORMATION.....	FEJL! BOGMÆRKE ER IKKE DEFINERET.9
PRODUCT INFORMATION	FEJL! BOGMÆRKE ER IKKE DEFINERET.0
APPLICATION.....	31
DIMENSION SKETCHES	32
INSTALLATION INTERFACES	33
LOCATION OF WATER, DRAIN AND ELECTRIC INSTALLATIONS.....	34
MAINTENANCE AND SPARE PARTS.....	37
CLEANING OF PLASTIC COVER, RELIEF PLATE AND RELEASE HANDLE.....	37
SPARE PARTS.....	37
MOUNTING INSTRUCTIONS	38
MOUNTING INSTRUCTIONS AND LIST OF COMPONENTS	38
USER INFORMATION	49
FUNCTIONAL TEST	49
SAFETY INSTRUCTIONS	49
SERVICE AND MAINTENANCE	49
INSPECTION	50
FAULT FINDING	51
LABEL	51
SYMBOLS	51
EU – DECLARATION OF CONFORMITY	52
COMPLAINTS	53



Always read this manual prior to mounting and use

Product Information

Product information

Owing to its unique design, Ropox Lateral Adjustment for Support Washbasin offers improved utilisation of the bathroom. The washbasin is laterally adjustable and may be pulled away from the toilet thus providing increased space for wheelchair users and walking impaired persons. The simple adjustment system offers frequent adjustment of the washbasin to suit different users and helpers. The lateral adjustment range is 350mm.

Technical data

Product name:	Ropox Lateral Adjustment System for Support Washbasin	
Item number:	40-44030	
Range of adjustment:	35cm / 13 ³ / ₄ "	
Materials:	Rail:	St. 37 Various plastic parts
	Cover:	Vacuum-shaped ABS
Surface treatment:	Powder-coating, RAL 9010 mat white, Chromite	
Max. load:	Load-tested and safe up to and including 400 kg/881lbs. According to DS/EN 12182 the maximum user weight has been fixed at 200 kg/440lbs.	
Own weight:	20 lbs	
Application temperature:	10 - 40 °C / 50 – 104°F	
Manufacturer:	Ropox A/S DK-4700 Næstved, Tel.: +45 55 75 05 00 E-mail: info@ropox.dk	



This product has CE-marking, which proves that the Lateral Adjustment System has been manufactured according to the relevant requirements of DS/EN 12182: 2012 and The Medical Devices Directive No.93/42/EEC and belongs to the lowest risk class 1.

Product Information

Application

Ropox Lateral Adjustment for Support Washbasin is an accessory for the following models of Ropox Support Washbasin:

40-44014 Manual, left
40-44015 Manual, right
40-44016 Electrical, left
40-44017 Electrical, right

For lateral adjustment of the washbasin, proceed as follows:

Pull the release handle to release the lock. The washbasin may now be pulled sideways. Let go of the release handle in the required position and pull at the washbasin until the handle locks into place.

Ropox Lateral Adjustment for Support Washbasin is adjusted stepwise from 0 to 13 $\frac{3}{4}$ ".

See Fig. 1 (The Lateral Adjustment is shown for the right version of the Support Washbasin).

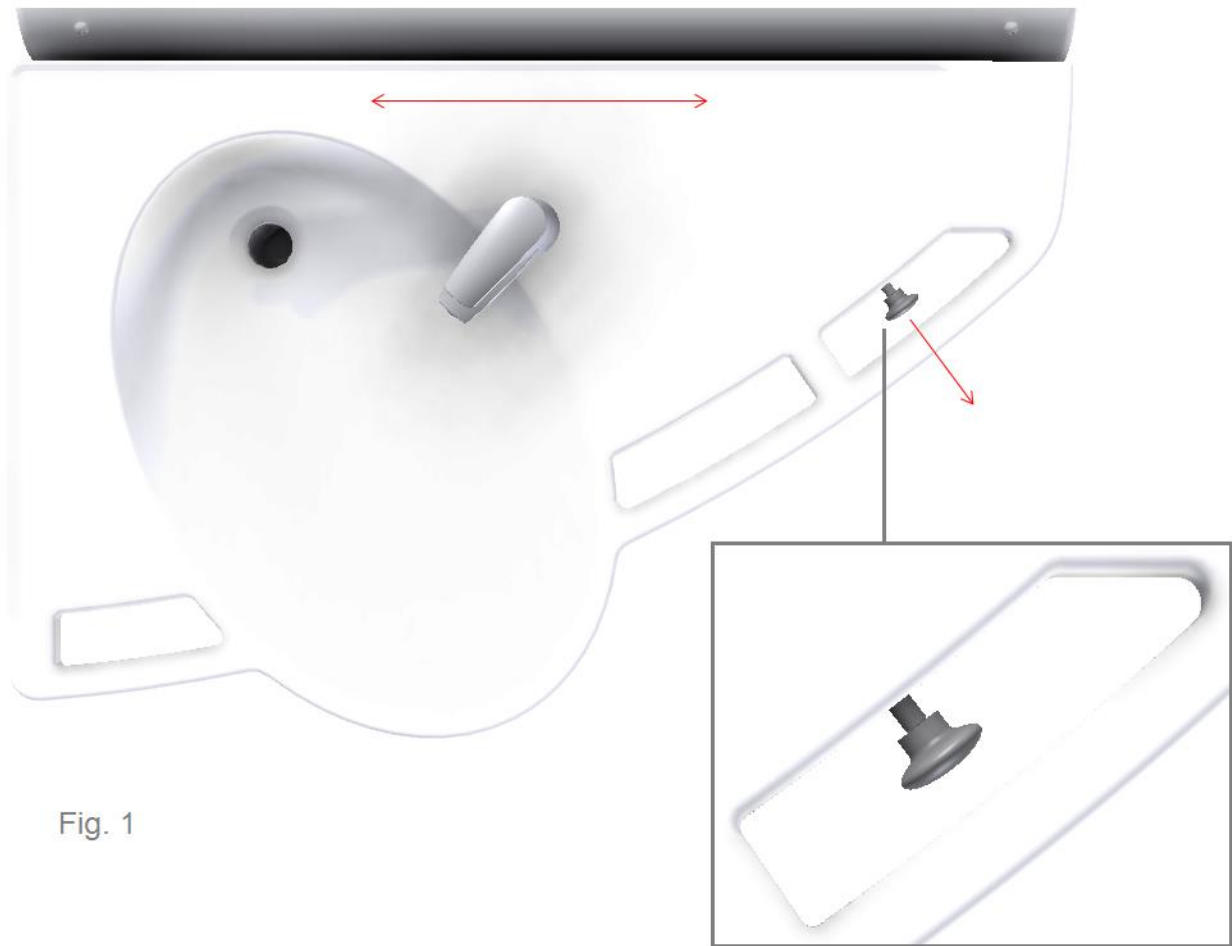


Fig. 1

Product Information

Dimension sketches

See Figs. 2 and 2.1

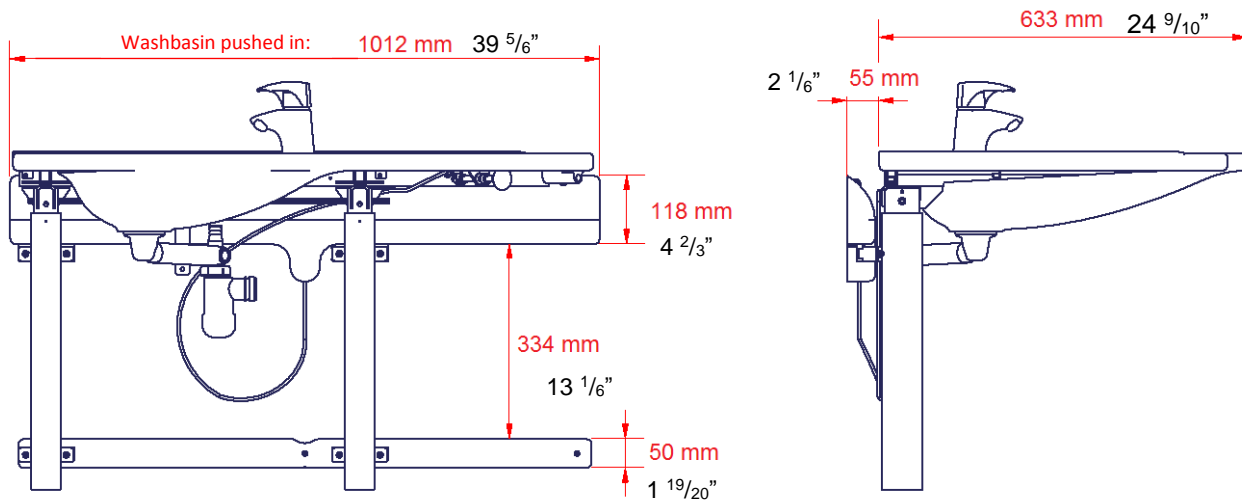


Fig. 2

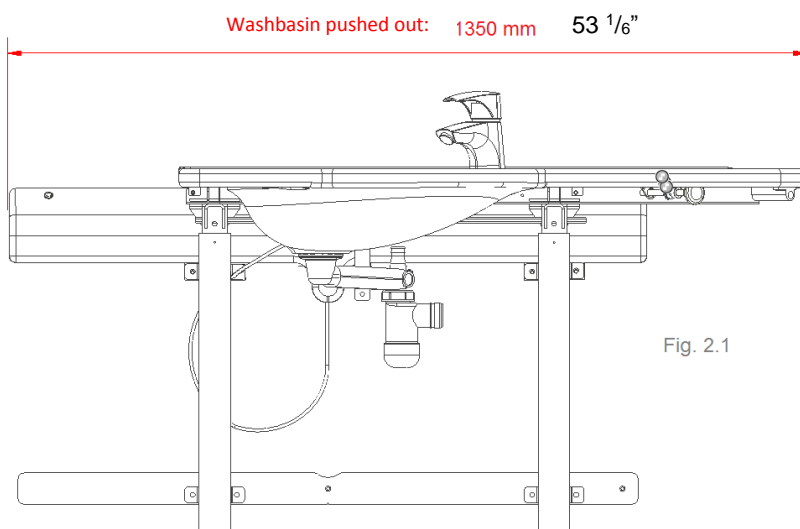


Fig. 2.1

Product Information

Installation interfaces

Construction

The wall must be made of a material suited for screw mounting and approved for damp rooms.

The lateral adjustment system has been load-tested and is safe up to 400 kg/881lbs. According to DS/EN 12182, the maximum user weight amounts to 200 kg/441lbs. Max. load of upper screws: 41kg/screw (90lbs/screw).

Electrics

Recommended location of socket in wall for optimum and hidden wiring.

In case of an alternative solution, the cable from the control unit is 3.2m. See Fig. 3.

Plumbing

The drain has a diameter of Ø32 (1 1/4") and is provided with an Ø32x88.5° elbow.

Max. protrusion of drain connection and elbow from the wall is 50mm/1 19/20" owing to the covers.

The water supply ends in 2 (two) 90° shut-off valves with 1/2" outside thread. Location and optimum orientation as illustrated. Max. protrusion of shut-off valves from the wall is 50mm owing to the covers.

It is recommended to install water and drain connections as illustrated. All hoses for water and drain connections must be flexible for the unit to move freely within the range of adjustment.

Product Information

Location of water, drain and electric installations

Manual/electrical height adjustment, plumbing located behind the cover. See Fig. 3

Manual: 27 15/16" - 39 3/4"
 Elektrisk: 27 15/16" - 37 7/8"
 Manual: 27 15/16" - 39 3/4"
 Elektrisk: 27 15/16" - 37 7/8"

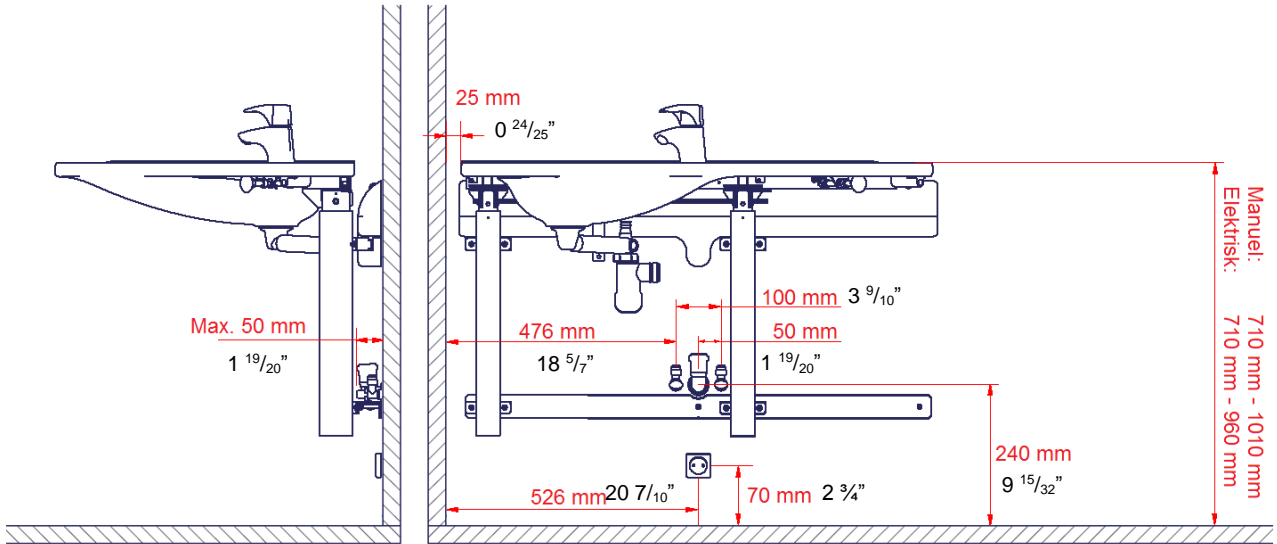


Fig. 3

All hoses for water connection and drain must be flexible for the washbasin to move freely within the range of adjustment.

Manual/Electrical height adjustment, plumbing visible beside the washbasin. See Fig. 4 (plumbing may be located on either side of the washbasin).

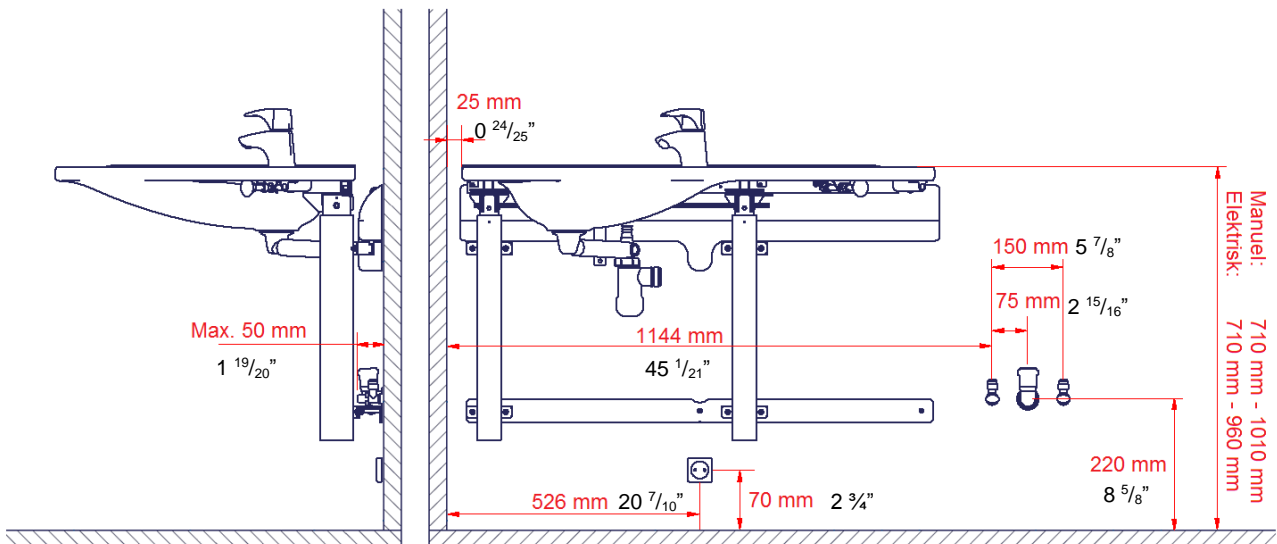


Fig. 4



All hoses for water connection and drain must be flexible for the washbasin to move freely within the range of adjustment.

Product Information







Connection adapters and recommended plumbing accessories

The components listed below may be purchased as accessories depending on the type of installation in the building.





Plumbing accessories for Manual/Electrical Support Washbasin with hidden/visible installation

	Manual Support Washbasin	Electrical Support Washbasin
Hidden installation (See Fig. 3)	40-44031 (to be purchased separately)	97001161 (to be purchased separately) 
Visible installation (See Fig. 4)	40-44032 (to be purchased separately)	97001168 + 97001122 (to be purchased separately) 

Water connection adapters






Hoses from washbasin	Adapter	Installation in room (not provided)
 1/2"	No adapter required	 1/2" thread
	 1/2" -> 3/8" Item No. 97001670	 3/8" thread
	 1/2" -> 15mm Item No. 97001666	 15mm pipe

Hose extensions



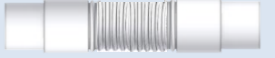
Hose from washbasin	Coupling piece	Extra hose
	 1/2" -> 1/2" Item No. 97001662	 1/2" x 1/2", 0,5m, steel Item No. 97001123
		 1/2" x 1/2", 1m, plastic Item No. 97001120

Product Information

Drain adapters

Drain hose from washbasin	Adapter	Installation in room (not provided)
 Ø32	No adapter required	 Ø32
	 Ø32 -> Ø40 Item No. 97001660	 Ø40
	 Ø32 -> Ø50 Item No. 97001661	 Ø50

Drain extensions

Drain hose from washbasin	Sleeve	Extra drain hose
 Ø32	 Ø32-Ø32 Item No. 97001662	 Ø32 flex hose, 27-62cm Item No. 97001162
		 Ø32 flex hose, 40-110cm Item No. 97001161
		 Ø32 flex hose, 52-150cm Item No. 97001168

Components in grey boxes are optional extras.

Product Information

Maintenance and spare parts




The product may get dirty during use. Follow the cleaning procedure for this product. Spare parts are listed in the diagram below.

Cleaning of plastic cover, relief plate and release handle

The lateral adjustment system is made of plastic and aluminium with a surface finish facilitating cleaning. When required, wash the surfaces with water and dry with a cloth. Do not use detergents containing abrasives, e.g. steel wool, scouring powder or sulphur acid. The system is maintenance-free.

For disinfection, use an ordinary disinfectant.

Spare parts

Item number	Designation
Plastic cover Item No. 40-44030-064	
Release handle complete set Item No. 40-44030-065	
Relief plate Item No. 40-44030-036	

Mounting Instructions

Mounting instructions and list of components

These mounting instructions only apply to Lateral Adjustment for Ropox Support Washbasin.

Note:

Mounting of screws in the wall must always be made considering the strength and condition of the specific wall. The screws provided are intended as a guide for mounting on a concrete wall considering the max. screw loads stated in the mounting instructions.

The mounting instructions described below apply to mounting of the lateral adjustment system for a right-hand Support Washbasin. The dimensions are the same for a left-hand washbasin.

Before mounting, check that all parts stated in the list of components have been provided.

List of components

Ropox Lateral Adjustment System:

Wall rail incl. release handle

1 (one)



Slide carriage

2 (two)



Relief plate

1 (one)



Plastic cover

1 (one)



Mounting parts

1 (one) bag



Mounting Instructions

Marking on wall

1. Determine location of centre holes as illustrated.
2. Drill centre holes in the wall and mount rail and relief plate.
3. Make sure that they are flush.
4. Mark the remaining holes in the wall.
5. Drill remaining holes.

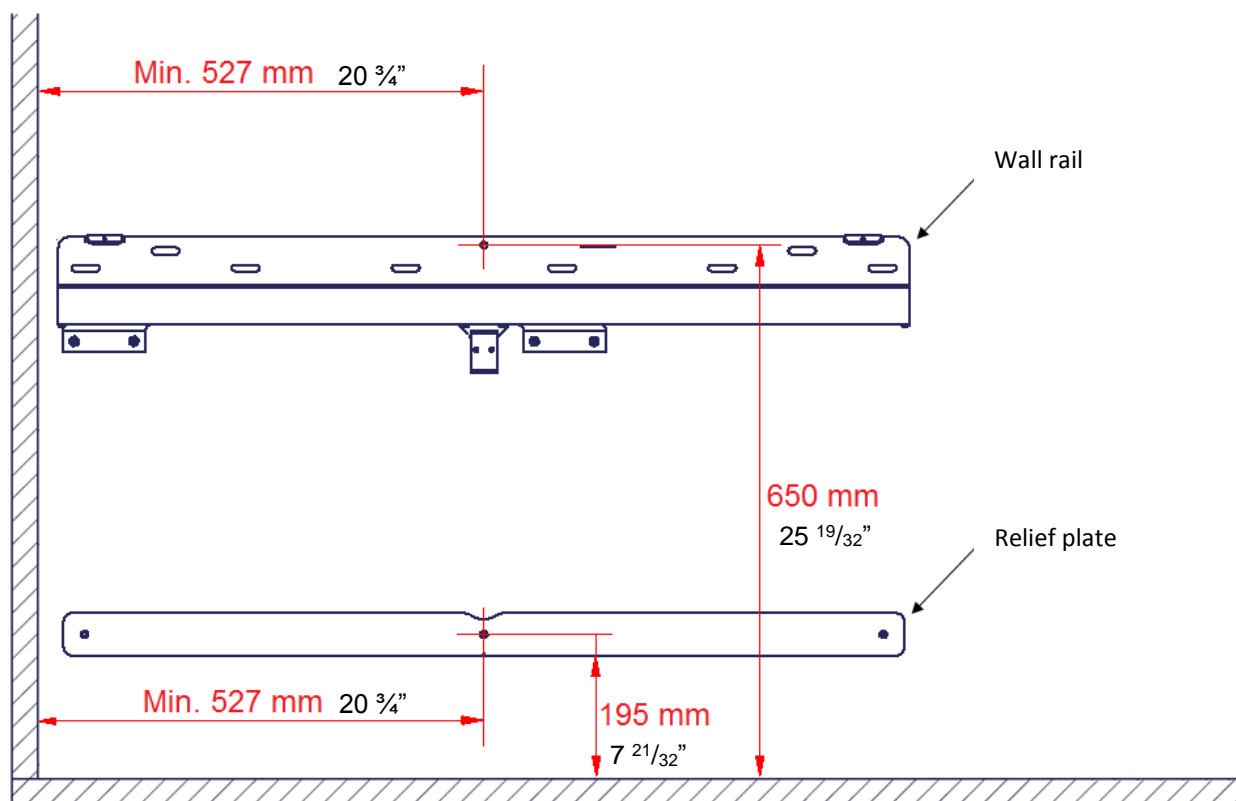
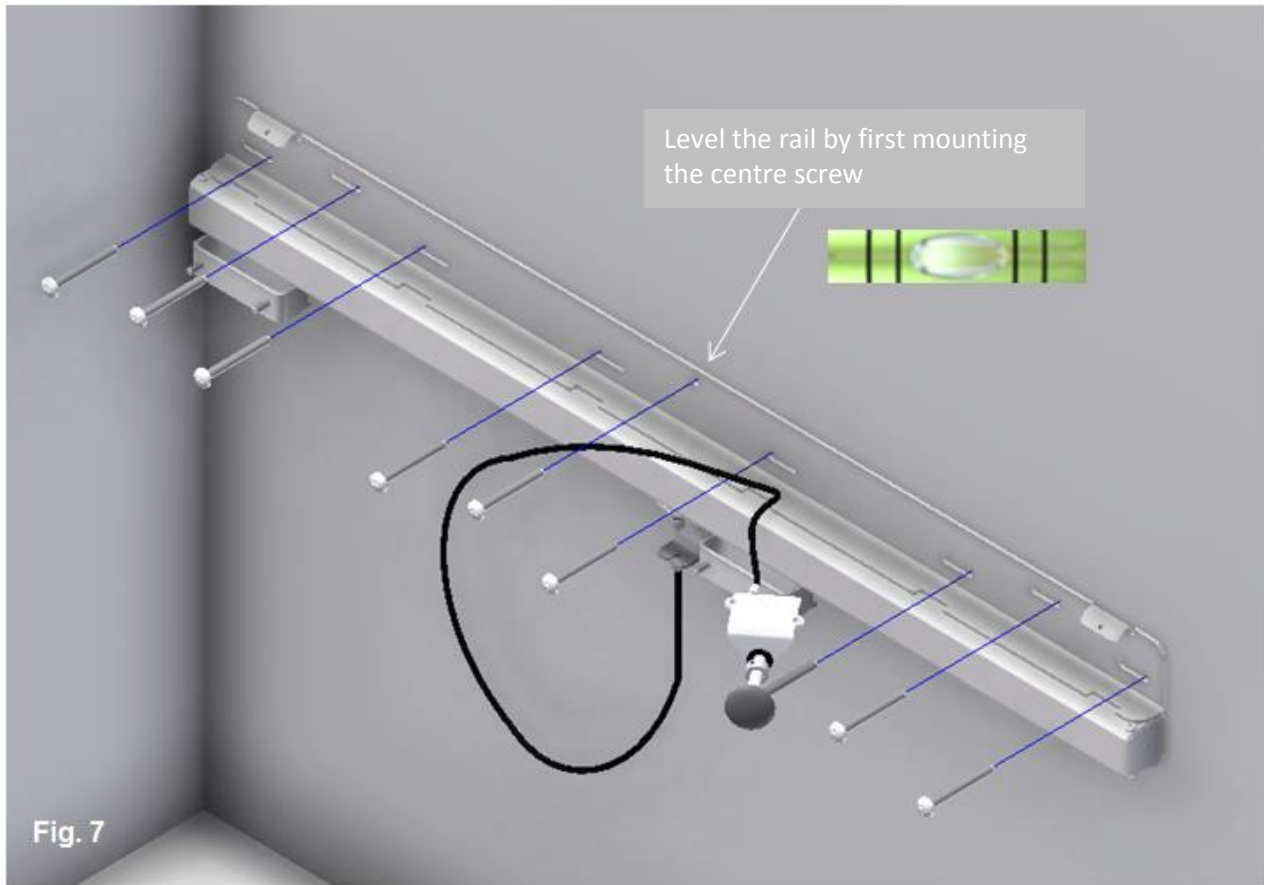


Fig. 6

The marking shown has been made so as to avoid jamming between the washbasin and the adjoining wall. The minimum distance of 527 mm / $20 \frac{3}{4}''$ is decisive for avoiding the risk of jamming.

Mounting Instructions

Fasten the rail on the wall



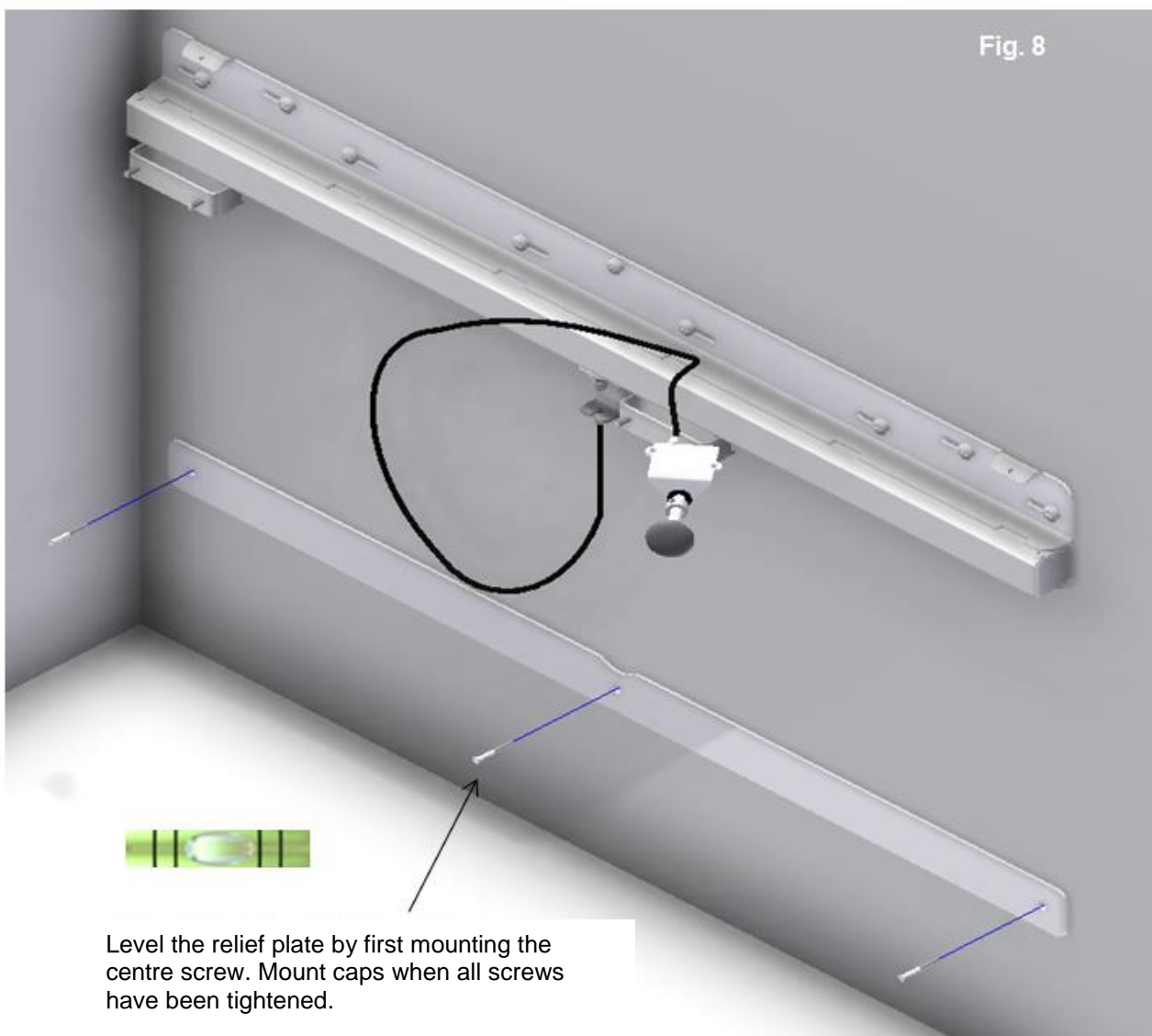
9x 7,5x72mm Screw



9x Rawplugs

Mounting Instructions

Mount the relief plate on the wall



3x Chipboard screw



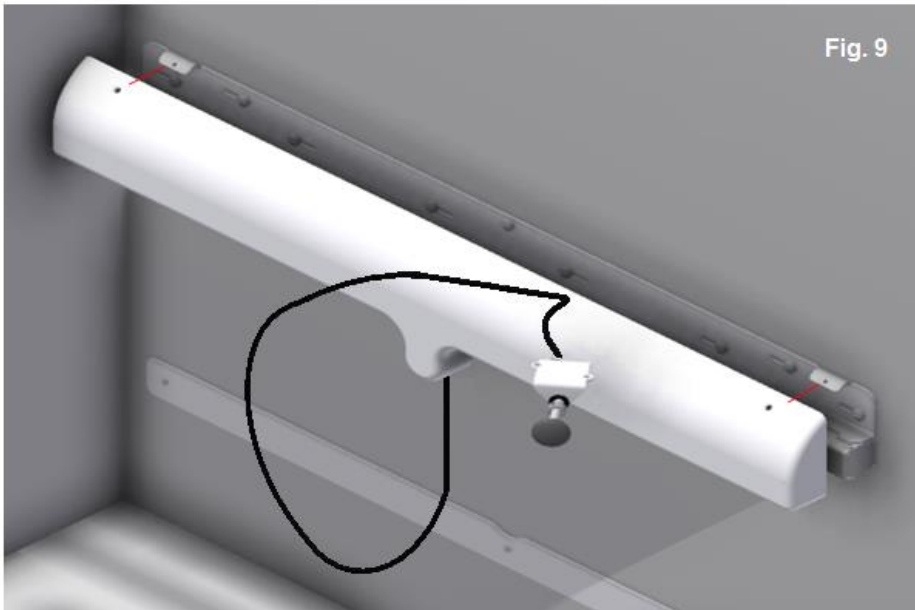
3x Rawplugs



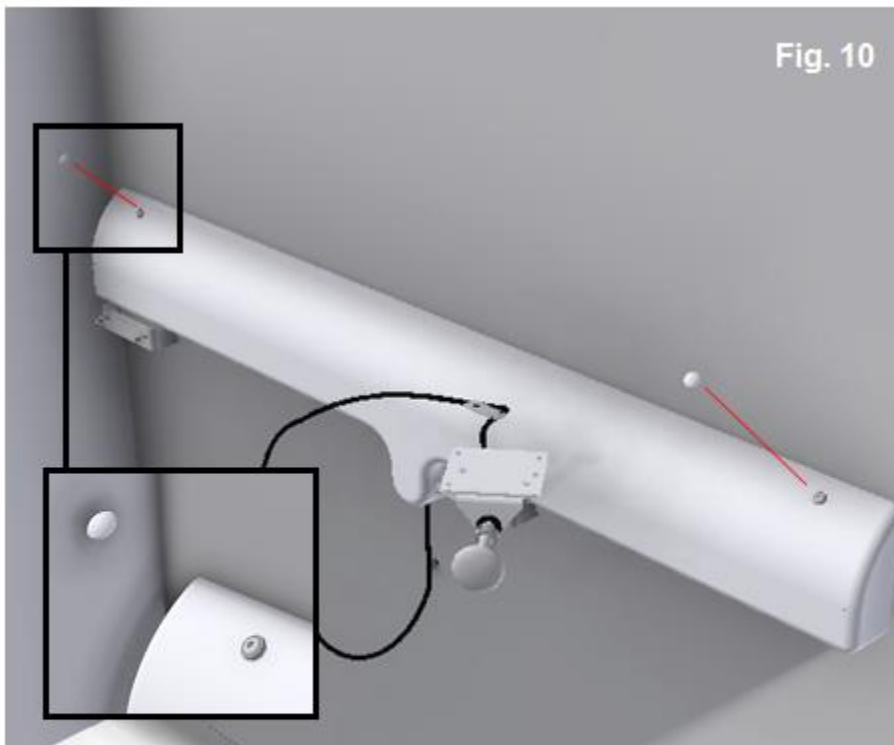
3x Caps Torx Ø12

Mounting Instructions

Mount the plastic cover in the screw holes of the wall rail

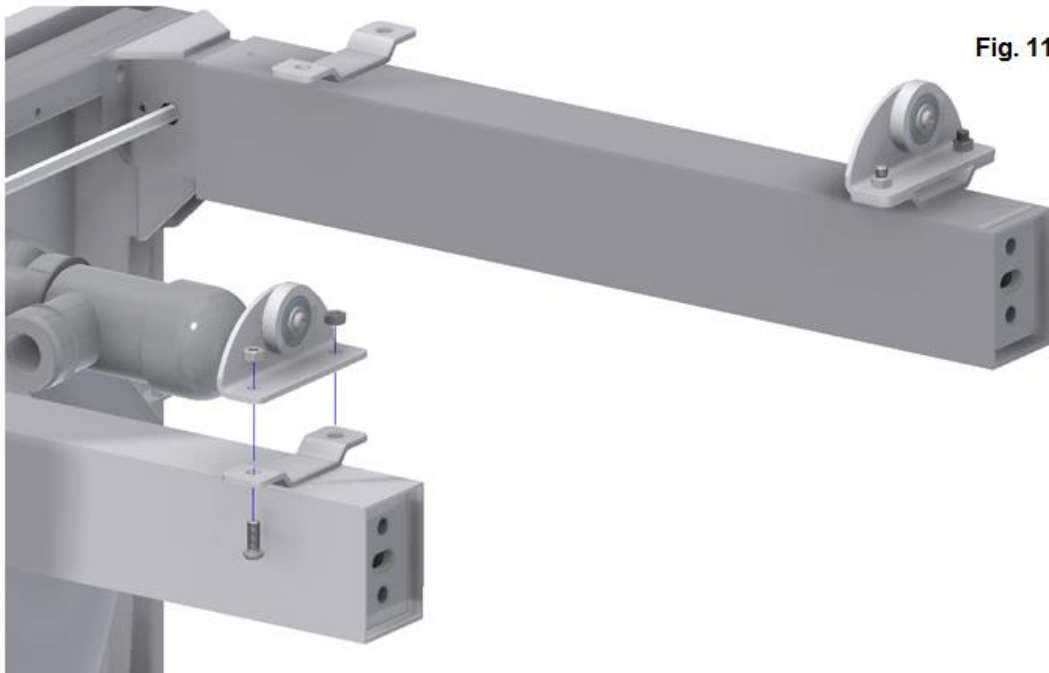


Fasten the plastic cover and press the caps onto the screws.



Mounting Instructions

Mount the slide carriages on the legs of the washbasin

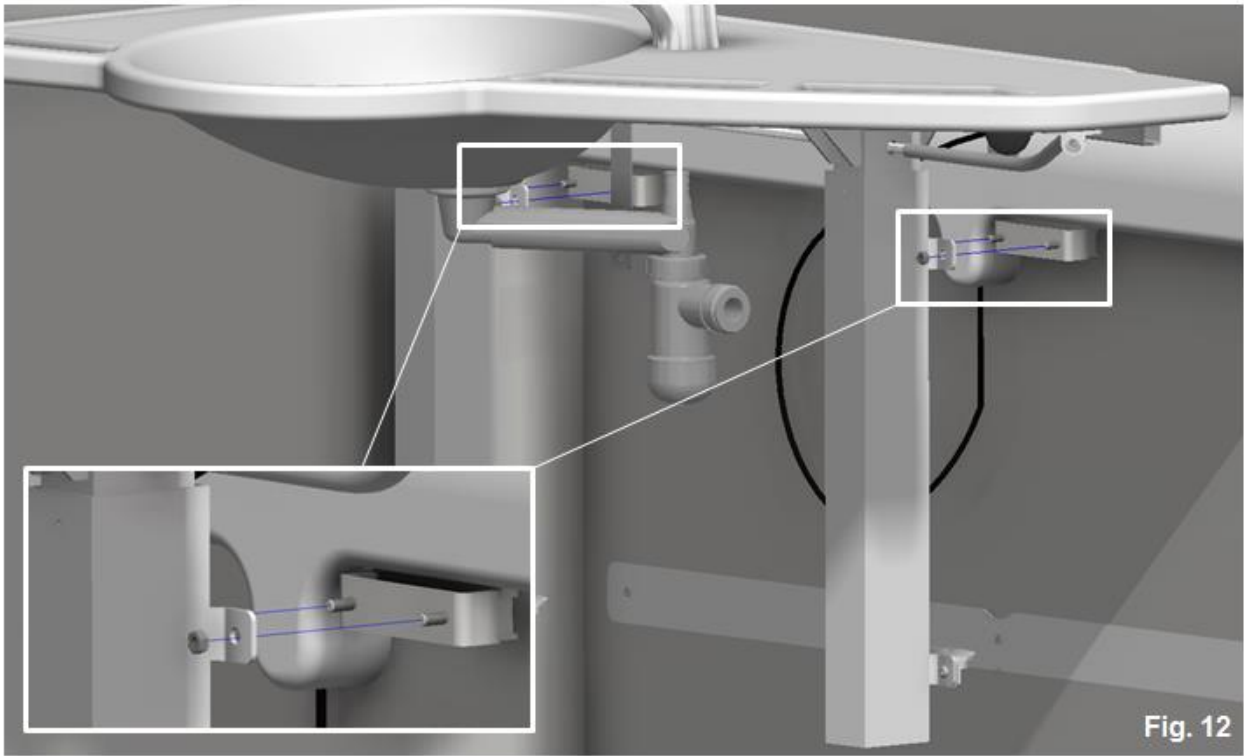


4x M6x16



4x M6

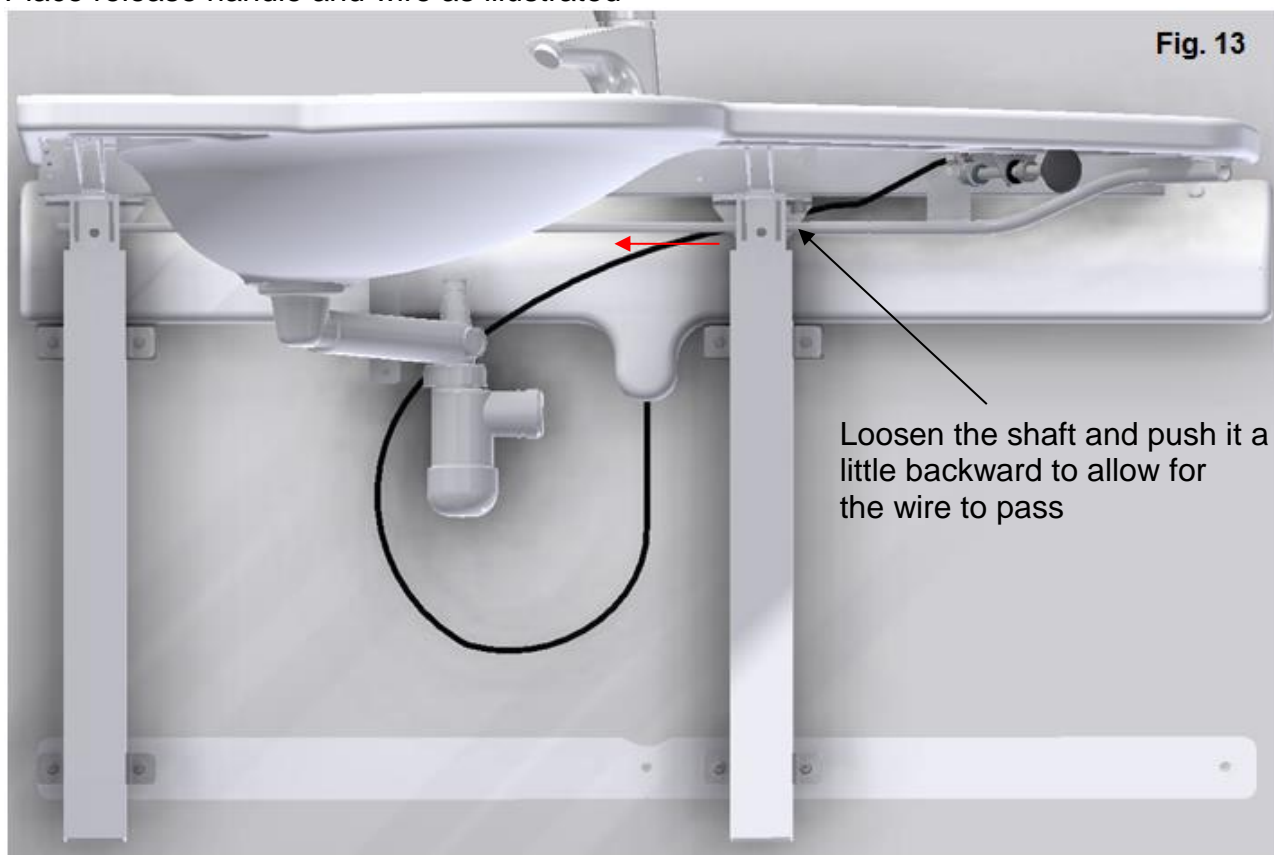
Mount the washbasin on the lateral adjustment system



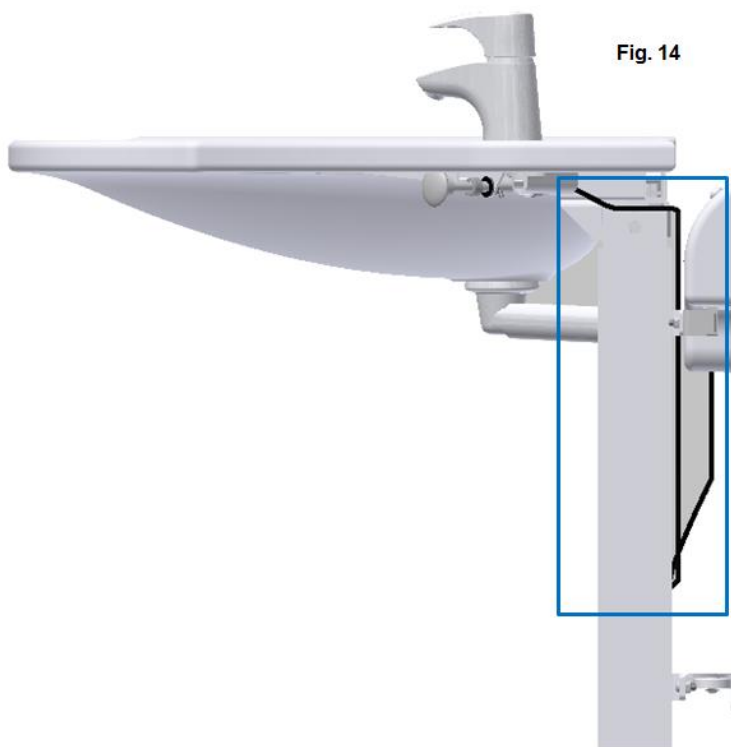
 4x M6

Mounting Instructions

Place release handle and wire as illustrated

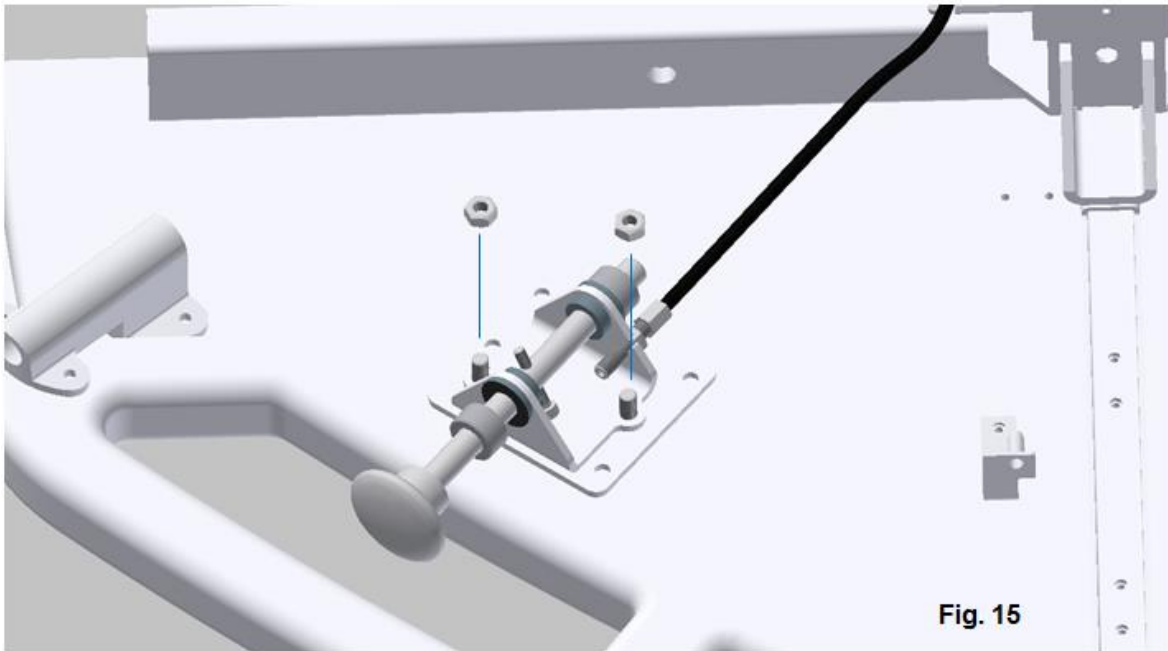


Place the wire behind the frame ensuring free movement

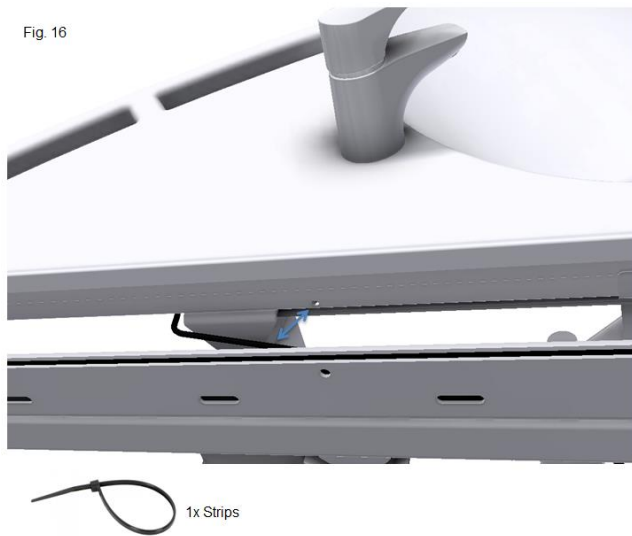


Mounting Instructions

Fasten the release handle with nut under the table



Fasten the wire with strips through the hole on the back of the frame.

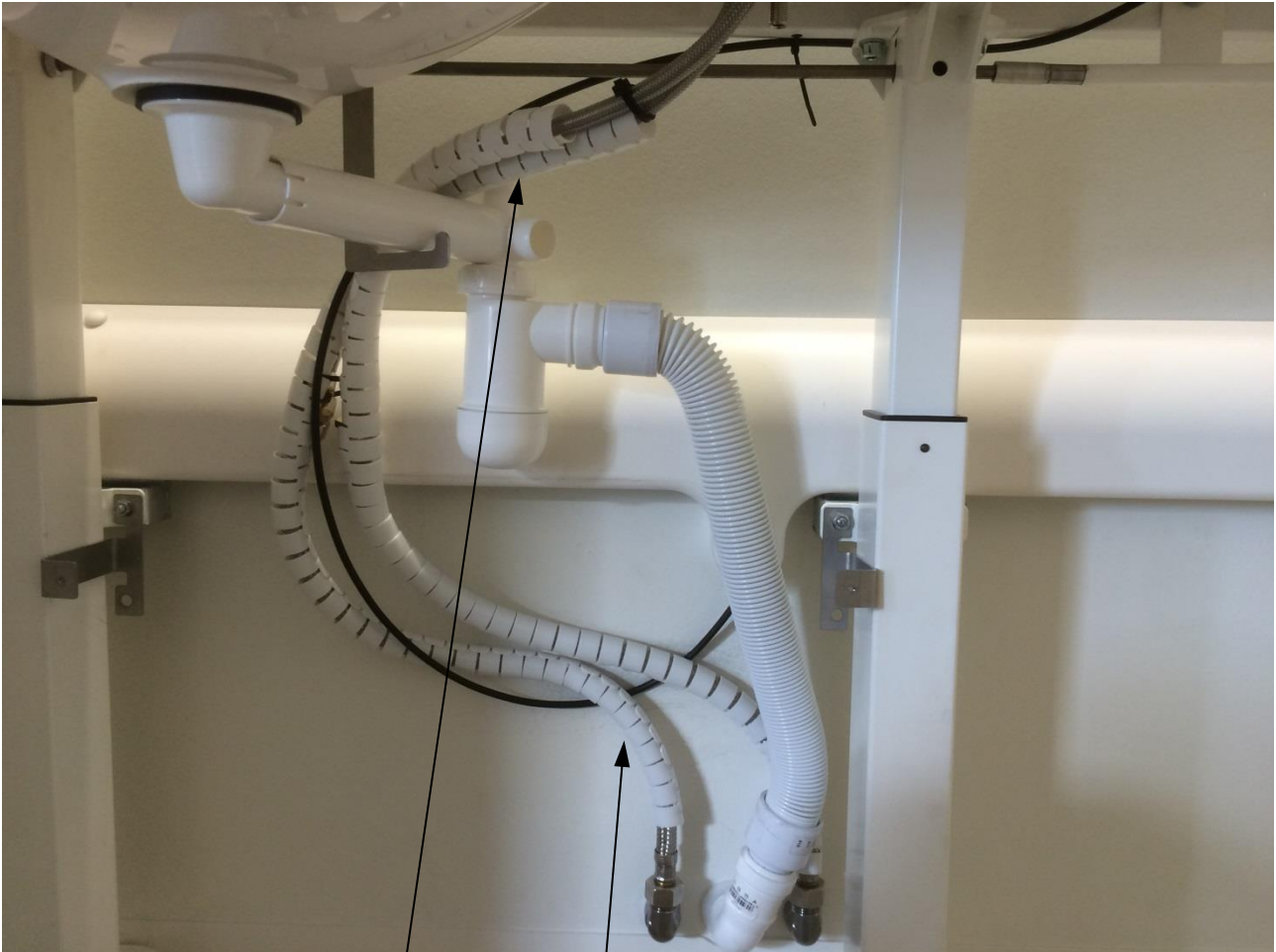


Washbasin viewed from below with wire fastened with strips.

Mounting Instructions

When mounting of water and wastepipe insert connection hoses into cable binders. Divide cable binders into 2 making them approx. same length and mount with enclosed tools.

After mounting of cable binders the hoses and wastepipe can be connected. Make sure hoses are above drain/wastepipe, as shown in picture beneath.



Cable binder mounted on water hose

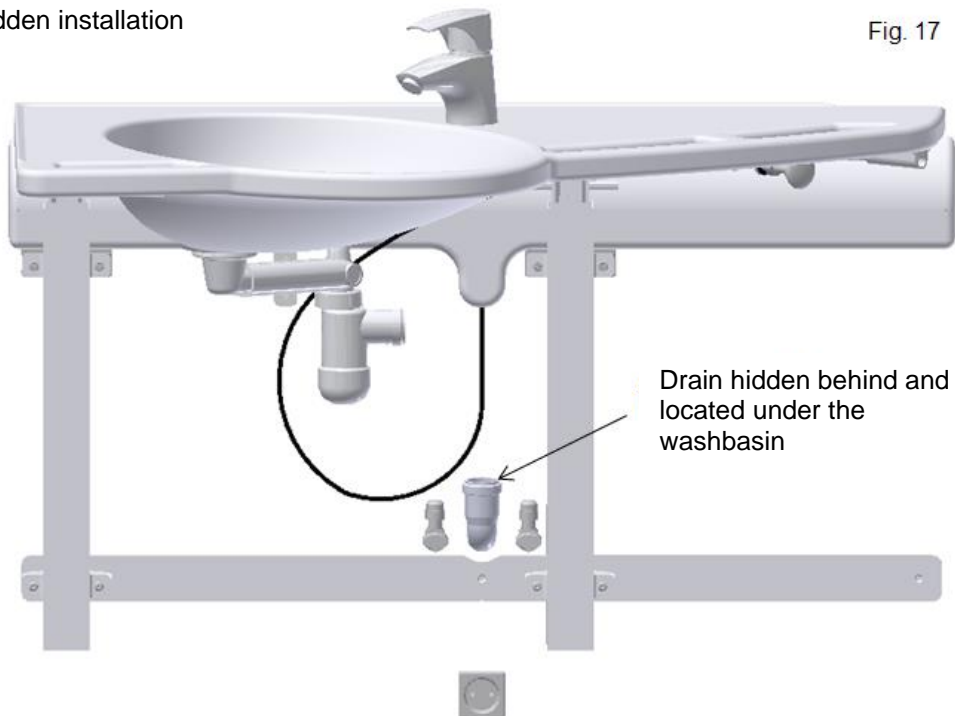
*Hoses to be pulled over and above
drain/wastepipe*

Mounting Instructions

Mounting of the lateral adjustment system has now been completed and the product is almost ready for use. Now mount drain and water connection. The picture below shows the hidden connection with the drain behind and under the washbasin.

Hidden installation

Fig. 17

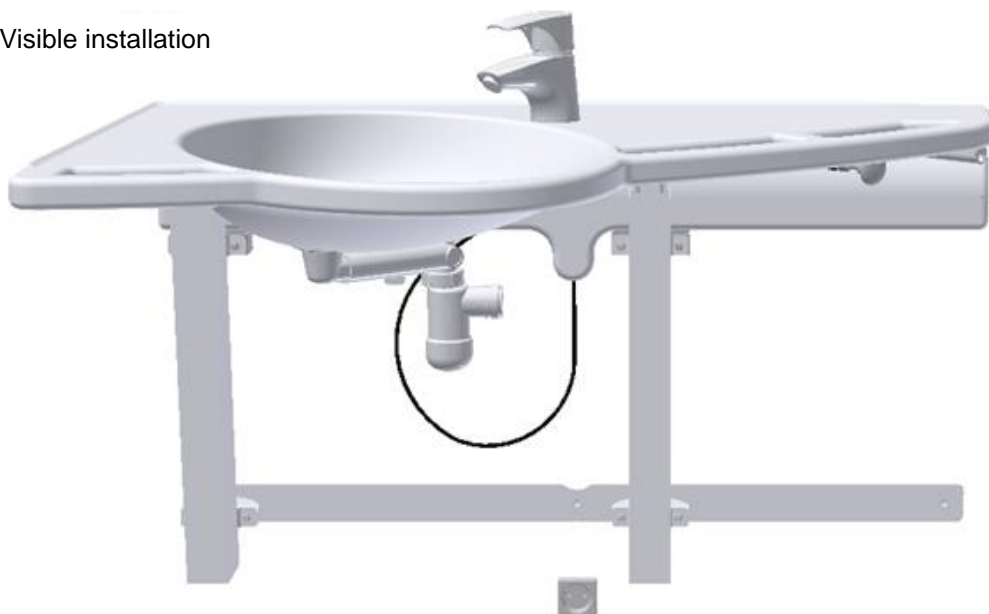


Drain hidden behind and located under the washbasin

The picture below shows the visible connection with the drain on the side and under the washbasin.

Visible installation

Fig. 18



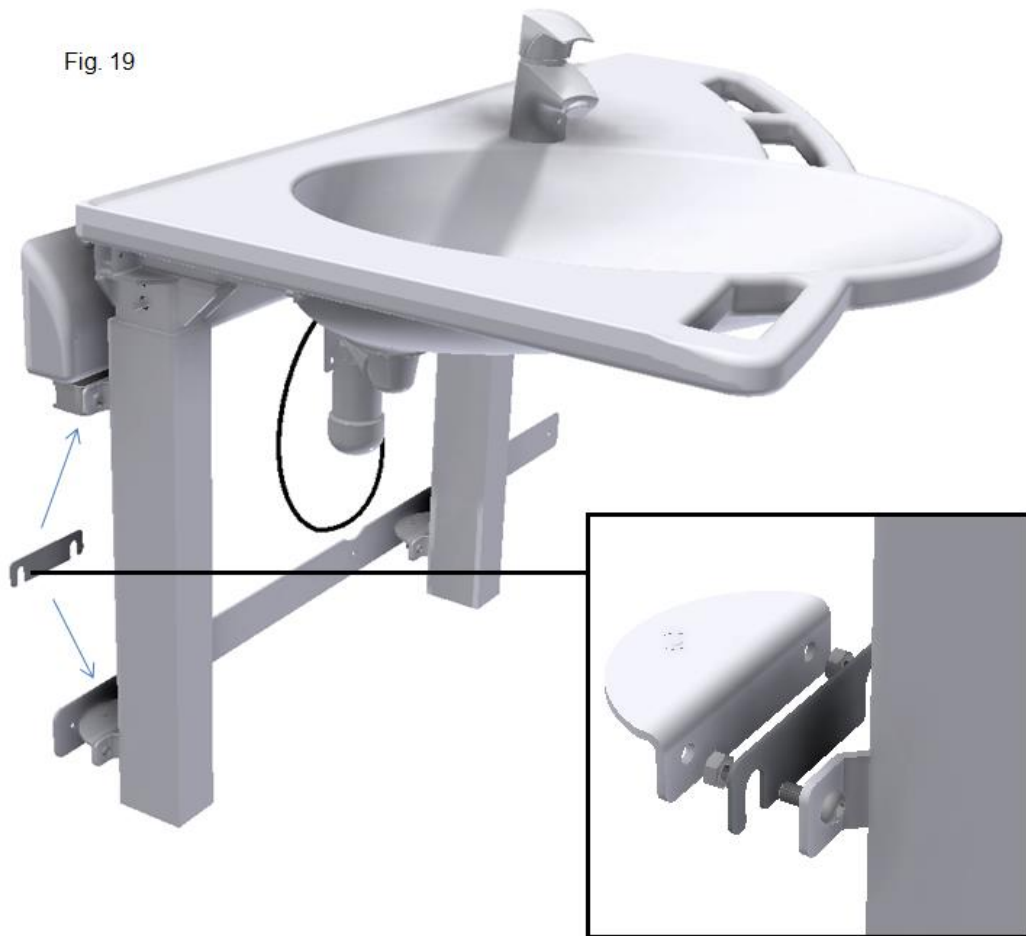
Drain visible beside and located under the washbasin

NOTE: Visible installations require a special plumbing kit. See page 35.

Mounting Instructions

For uneven walls use a distance plate to be inserted between the slide carriage of the lateral adjustment system and the legs of the washbasin, as illustrated in Fig.19.

Fig. 19



User Information

Functional test

After completed installation and before use, all functions of the Ropox Lateral Adjustment System with Support Washbasin must be tested. After that, a functional test must be carried out at least once a year by competent personnel.

1. Check that the mounting instructions have been observed.
2. Check that all screws and bolts have been securely tightened.
3. Check that drain and hoses have been correctly connected.
4. Check that there is no load on the frame.
5. Check that there are no objects preventing the frame from moving freely within the height and lateral adjustment range.

After successful functional test, the Ropox Lateral Adjustment for Support Washbasin is ready for use. See "Safety instructions".

Safety instructions

- The Lateral Adjustment System should only be operated by persons, who have read and understood these instructions.
- For some models of Ropox Lateral Adjustment the Support Washbasin is height-adjustable and should not be used as a lifting table or person lifter.
- Always use the product in a manner excluding the risk of damage to persons or property. The person operating the unit is responsible for avoiding damage or injury.
- When using the system in publicly accessible environments where children or persons with reduced observation capability may get near the washbasin, the person operating the washbasin must be very careful in order to avoid dangerous situations.
- Make sure that there is free space above, below and beside the washbasin for lateral and height adjustment.
- Do not overload the lateral adjustment system and make sure that the load distribution is correct.
- Do not operate the system in case of errors or damage.
- Modifications, which may influence the operation or construction of the lateral adjustment system for Support Washbasin are not allowed.
- Installation, service and repairs should only be carried out by competent personnel.
- During inspections, service or repairs, load must be removed from the unit

Service and maintenance

The product may get dirty during use. It is very important to clean the system according to these instructions. Wash with a wrung cloth with lukewarm water and an ordinary cleaning agent. Do not use etching/grinding liquids or grinding cloths, brushes or sponges.

User Information

Inspection

Note:

When fastening screws in the wall, always consider the strength and condition of the specific wall. The screws provided are intended as a guide for fastening on a reinforced wall considering the max. screw loads stated in the mounting instructions.

Ropox Lateral Adjustment is maintenance-free. Moving parts have been lubricated for life. However, for reasons of safety and liability we recommend an annual inspection.

Check that

- all screws and bolts have been securely tightened,
- the system moves freely from side to side without problems,
- the release handle locks in place in the notches of the rail.

After each inspection, complete the service schedule. See “Service Schedule”.



Only use Ropox original replacement parts. If other spare parts are used, the guarantee may become void.

Service schedule

Service and maintenance Serial No.
Date: _____
Signature: _____
Comments: _____ _____ _____

Service and maintenance Serial No.
Date: _____
Signature: _____
Comments: _____ _____ _____

Service and maintenance Serial No.
Date: _____
Signature: _____
Comments: _____ _____ _____

Service and maintenance Serial No.
Date: _____
Signature: _____
Comments: _____ _____ _____

User information

Fault finding

a) The lateral adjustment system is unstable

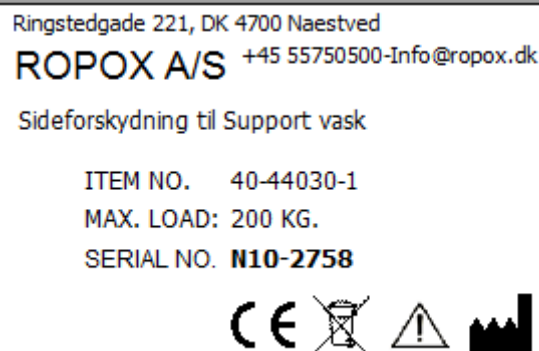
1. The screws fastening the system to the wall have not been securely tightened.
2. Tighten all screws, cf. mounting instructions.

b) The washbasin cannot be adjusted laterally / adjustment is difficult

1. Check that there are no objects preventing the adjustment.
2. Check that the release handle works.

Label

Each unit has a label of its own as illustrated. This label contains important information to be stated in connection with inquiries to the supplier. For location of the label, see the spare parts drawing.



Symbols:



The user manual must be read before use.



Waste must be sorted – if possible, for recycling.



Ropox is the manufacturer of the product in question.



CE-marking. This product meets the requirements for *General Safety and Functionality* of the relevant EU Directive and Standards.



EU – Declaration of Conformity

I, the undersigned, hereby declare that the following product:

Ropox Lateral Adjustment System for Support Washbasin

Item number: 40-44030

conforms to the following Directive and Standards:

DIRECTIVE

Medical Devices Directive No. 93/42/EEC (risk class 1)

STANDARDS

DS/EN 12182: 2012: Assistive devices for persons with functional disabilities -
General requirements and test methods

DS/EN 14971: 2012: Medical devices – The use of risk management in connection with
medical devices

DS/EN 9999: 2011: Assistive devices for persons with functional disabilities -
Classification and terminology

Date: 04-01-2016

Tommy Jensen
Adm. direktør

ROPOX A/S
Ringstedgade 221
DK-4700 Naestved Denmark
Tel. (+45) 55 75 05 00 Fax (+45) 55 75 05 50
e-mail: info@ropox.dk

User information

Complaints

See General Terms of Sale and Delivery on www.ropox.dk



ROPOX A/S

Ringstedgade 221

DK – 4700 Næstved

Tel.: +45 55 75 05 00 Fax.: +45 55 75 05 50

E-mail: info@ropox.dk

www.ropox.dk