

Ropox Height Adjustment Unit

for folding shower seat and backrest

User manual and Mounting instructions

Table of Contents

TABLE OF CONTENTS	1
PRE-SALE INFORMATION	2
GENERAL PRODUCT INFORMATION.....	3
PRE-SALE INFORMATION	4
USE	4
PRE-SALE INFORMATION	5
INSTALLATION INTERFACE	5
PRE-SALE INFORMATION	6
CLEANING	6
LABEL	6
SYMBOLS:	6
MOUNTING INSTRUCTIONS	7
USER INFORMATION	10
SAFETY IN USE	10
SERVICE INFORMATION	10
MAINTENANCE	10
INSPECTION	10
COMPLAINT	111




It is important to read and understand this manual before mounting and using this product.

Pre-sale information

General product information

The Ropox Height adjustment units for the shower seat and backrest provides the opportunity to adjust the height fast and easy without the use of tools. Thereby ensuring optimal adjustability and comfort of the shower seat in use.

Technical data

Product name:	Ropox Height Adjustment Unit	
Item number:	40-43043	Height adjustment unit for seat and backrest
		
Height adjustment:	125 mm	
Materials:	Wall bracket	Stainless steel Aluminum
Surface treatment:	Powder coating, RAL 9003 matte white	
Max. load:	In accordance with DS/ISO 17966 the max user weight is 150 kg Max user weight for the arm supports is 50 kg per arm	
Product weight:	4,5 kg / 8,5 kg (excl. seat and backrest)	
Temperature:	10-40° C	
Air humidity:	5-85 % (non-condensing)	
Manufacturer:	Ropox A/S DK-4700 Næstved, Phone.: +45 55 75 05 00 E-mail: info@ropox.dk	



This product has CE marking and is thus in accordance with the basic requirements concerning functionality and safety according to the current Machinery Directive 93/42/EF and the European standard for assistive products for persons with disability DS/ISO 17966. Its manufactured in accordance with the current requirements of Directive No. 93/42/EEC concerning Medical Devices and belong to the lowest risk class

1

Pre-sale information

Use

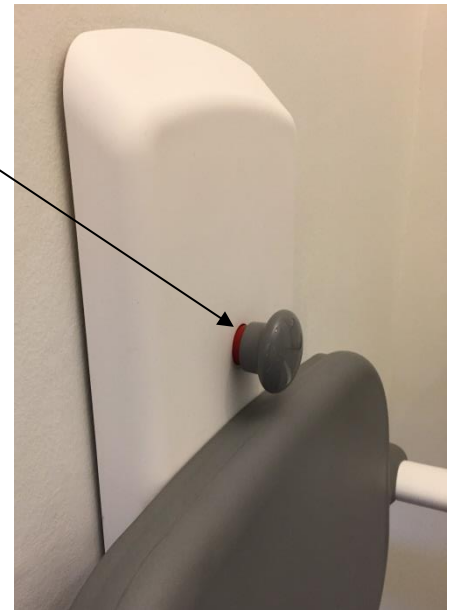
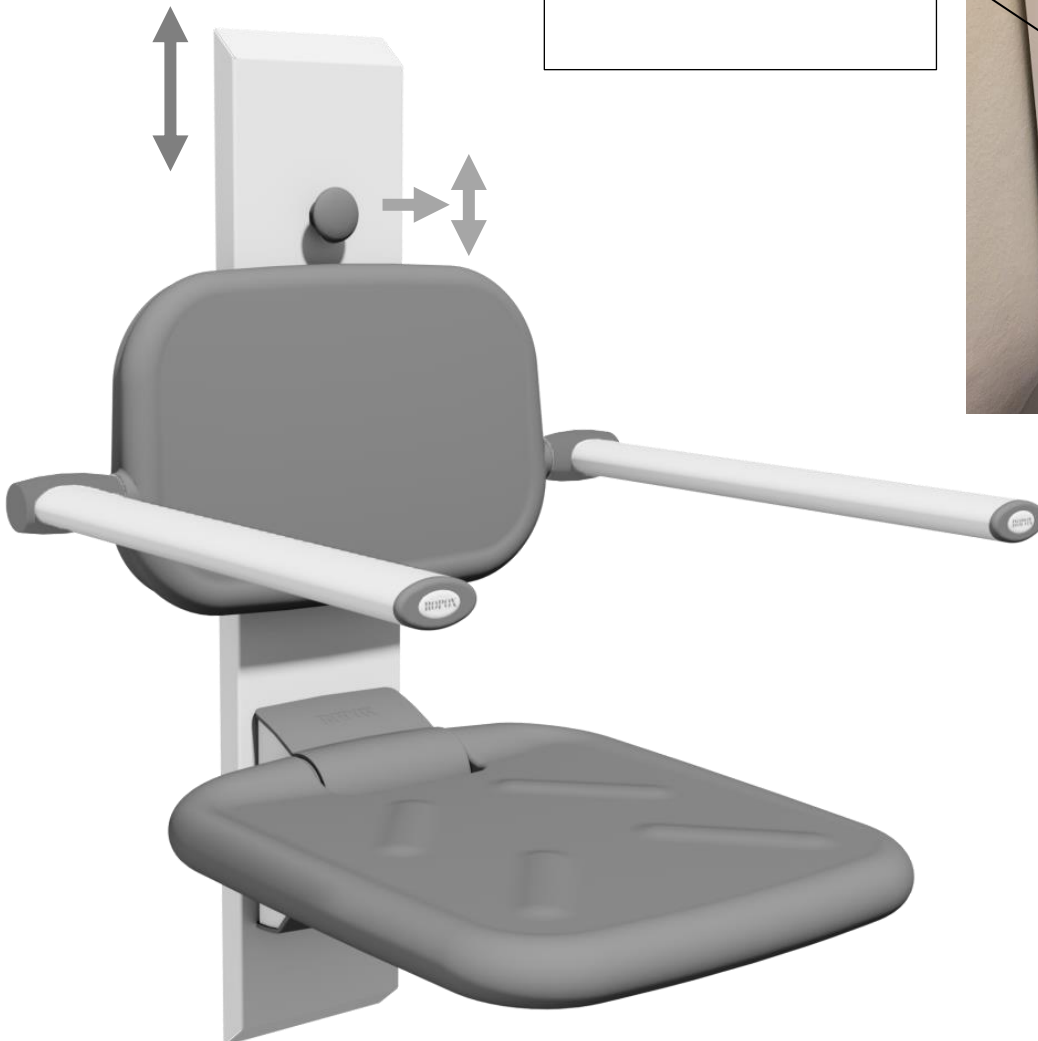
The unit is designed to quickly height adjust the shower seat and backrest with arms without the use of any tools. The height can be adjusted by pulling the handle towards you and positioning the seat in the preferred height. The handle falls automatically back in its slot. This ensures that the seat is always in a secure position and safe to sit on. The unit is weight balanced, making it easy to adjust with just one hand.

By placing the unit in the recommended position on the wall the seat can adjust from 400-525 mm above the floor.

Adjusting the height using the hand knob

NOTE

When the shower seat is height adjusted, it is not locked if red color is visible at the handle.



Pre-sale information

Installation interface

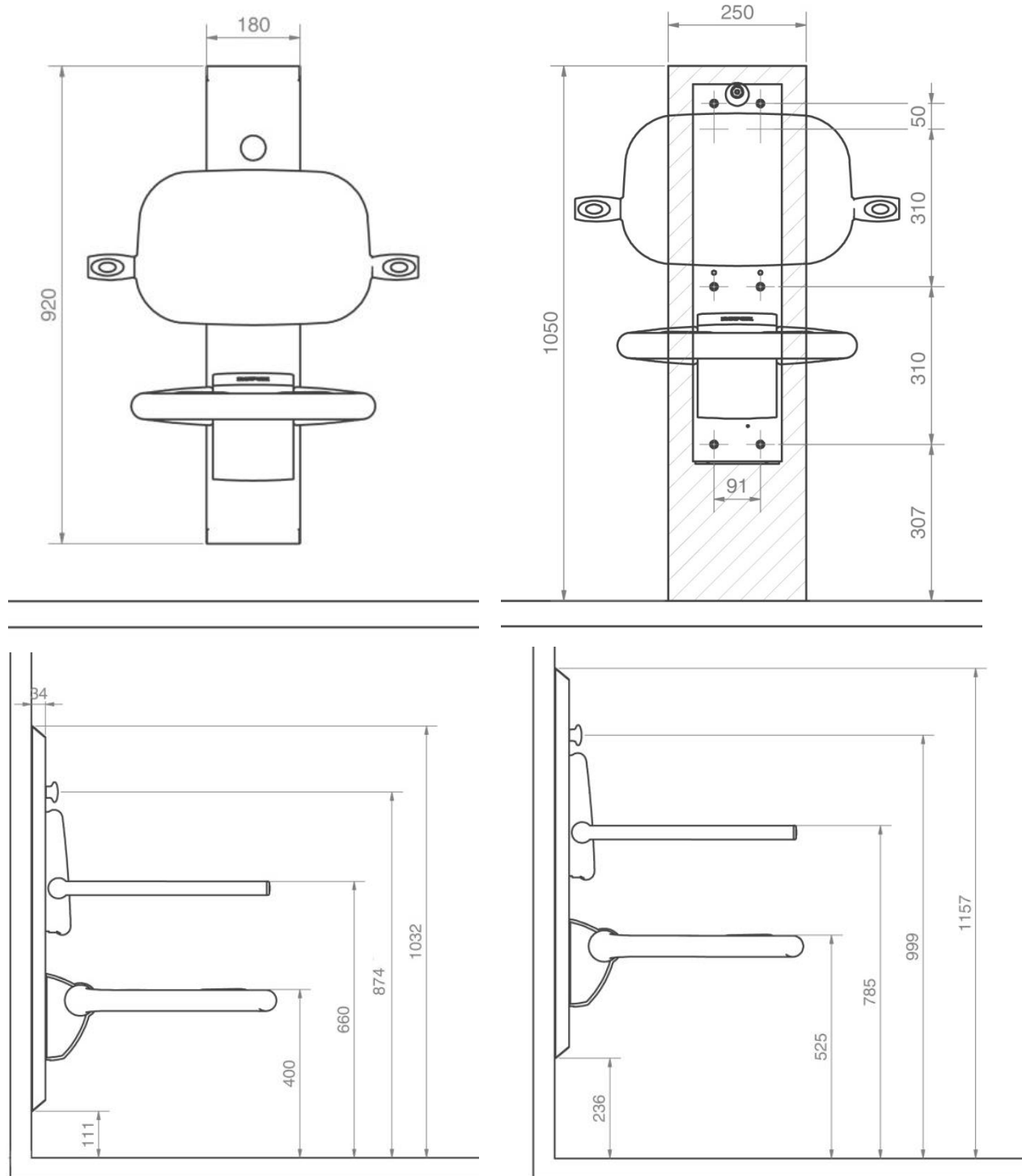
Construction

The wall must consist of proper screw material approved for wet rooms.

In accordance with DS/ISO 17966 the max user weight is 150 kg. For the arm support it is 50 kg per arm.

The hatched areas indicate the minimum area for reinforcements in the wall.

Maximum load on each top screws: 50 kg.



Pre-sale information

Cleaning

During use, the product may get dirty. It is very important to clean the product as described in these instructions.

Wipe the unit with a wrung cloth with lukewarm water and a mild detergent. Do not use enchanths, abrasives or grinding cloths, brushes and sponges.

Disinfection may be done with household spirits.

Label

Each unit has a label of its own as illustrated. This label contains important information to be stated in connection with inquiries to the supplier.



Symbols:



The user manual must be read before use.



Waste must be sorted – if possible, for recycling.



Ropox is the manufacturer of the product in question.

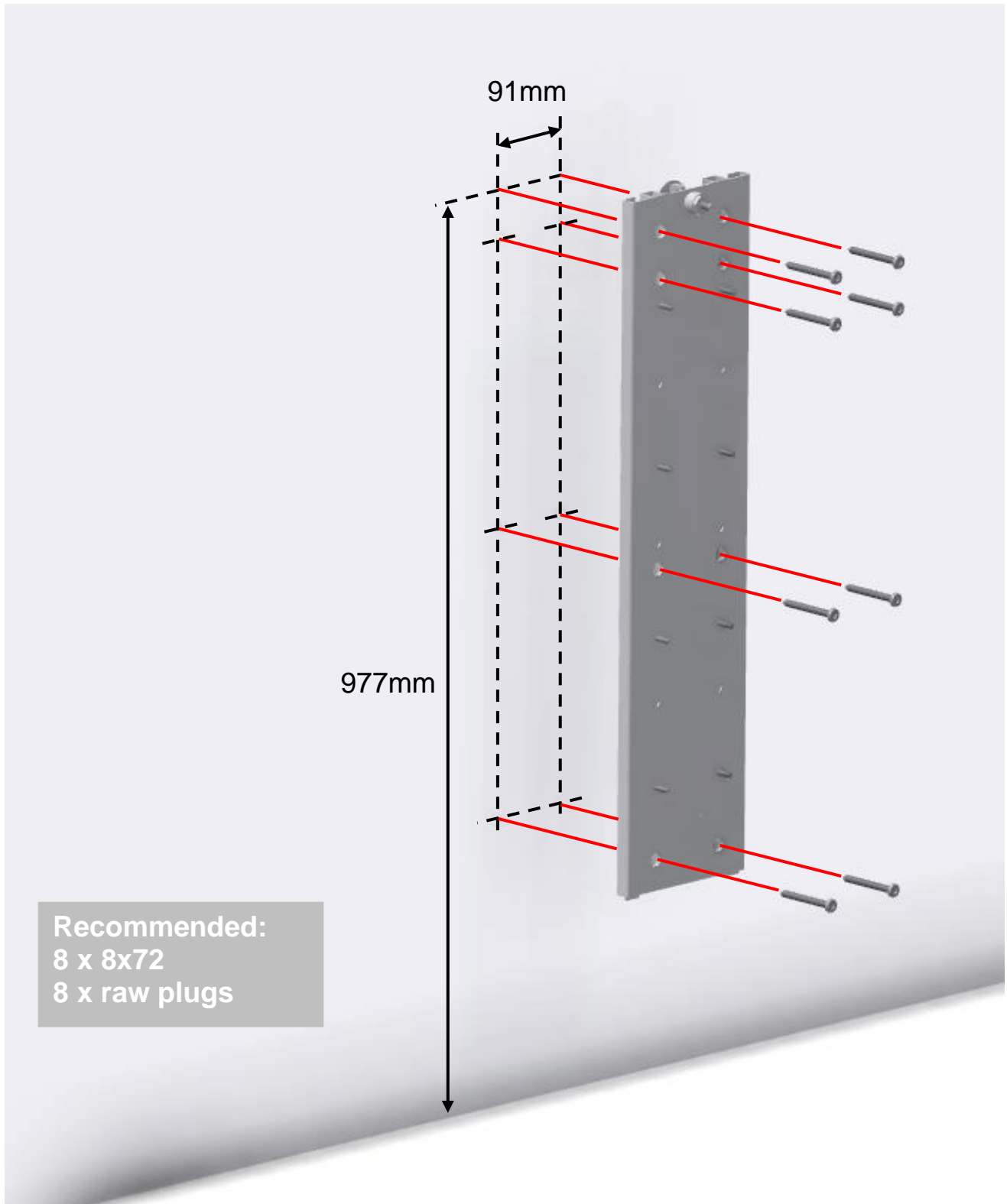


CE marking. This product meets the requirements for *General Safety and Functionality* of the current EU Directives and Standards.

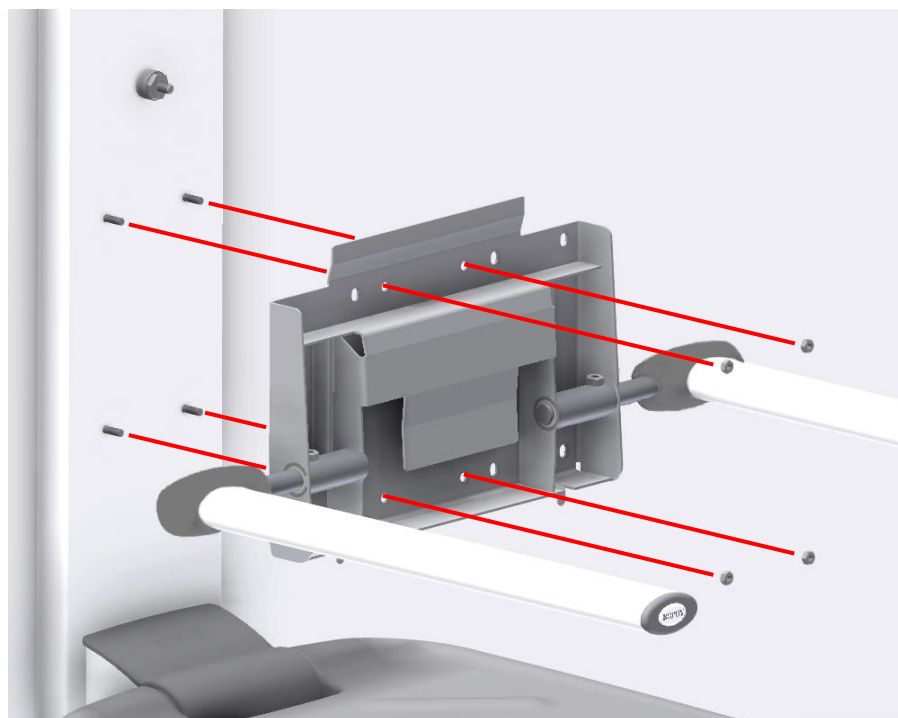
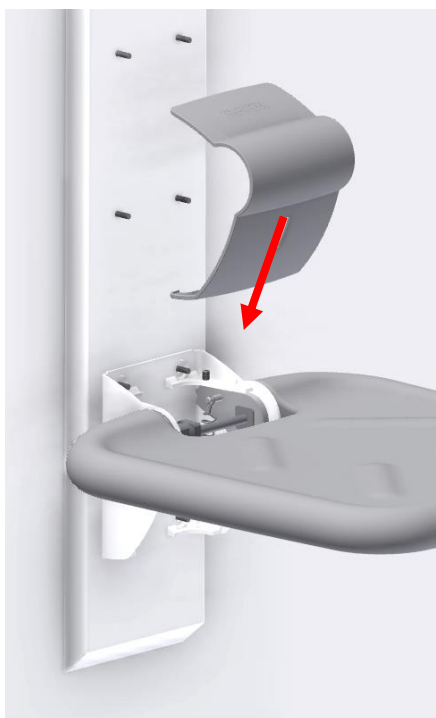
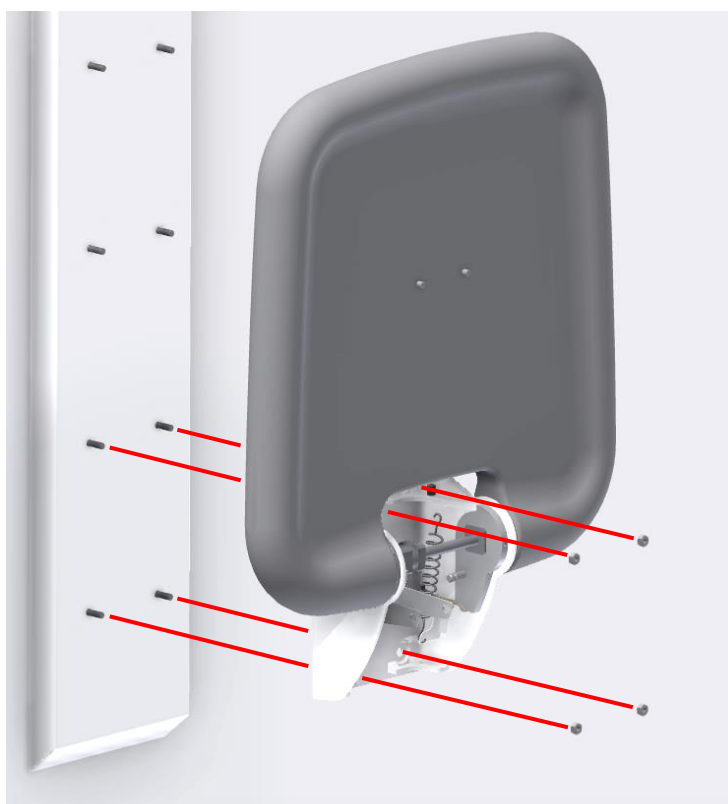
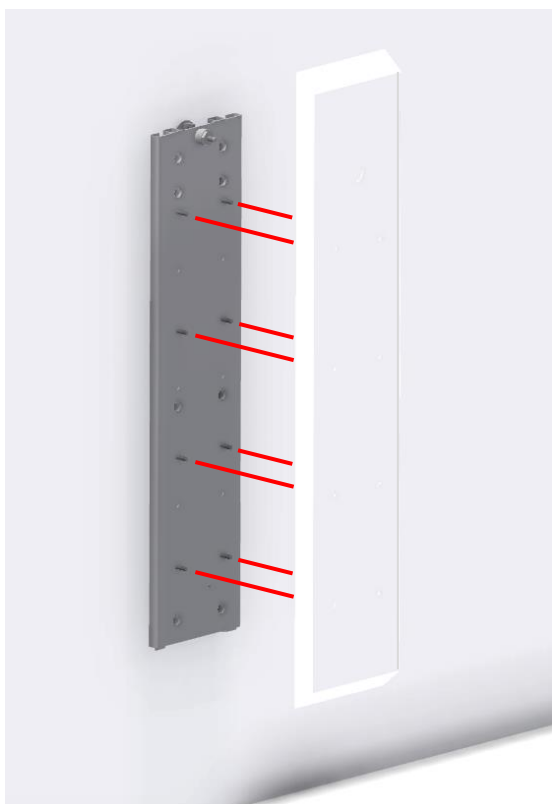
Mounting instructions

NOTE:

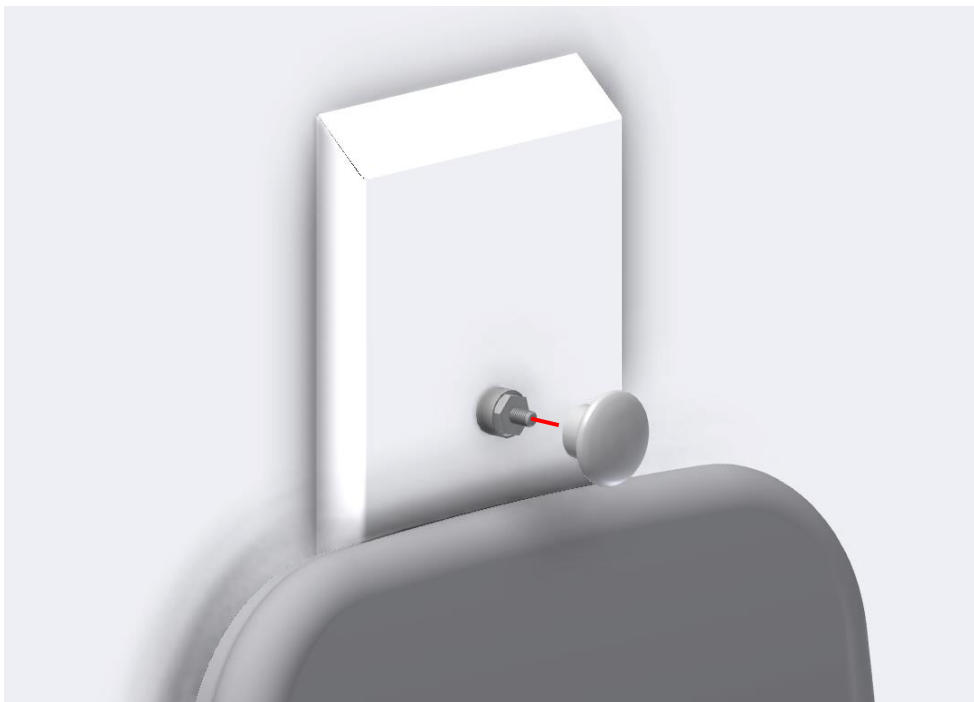
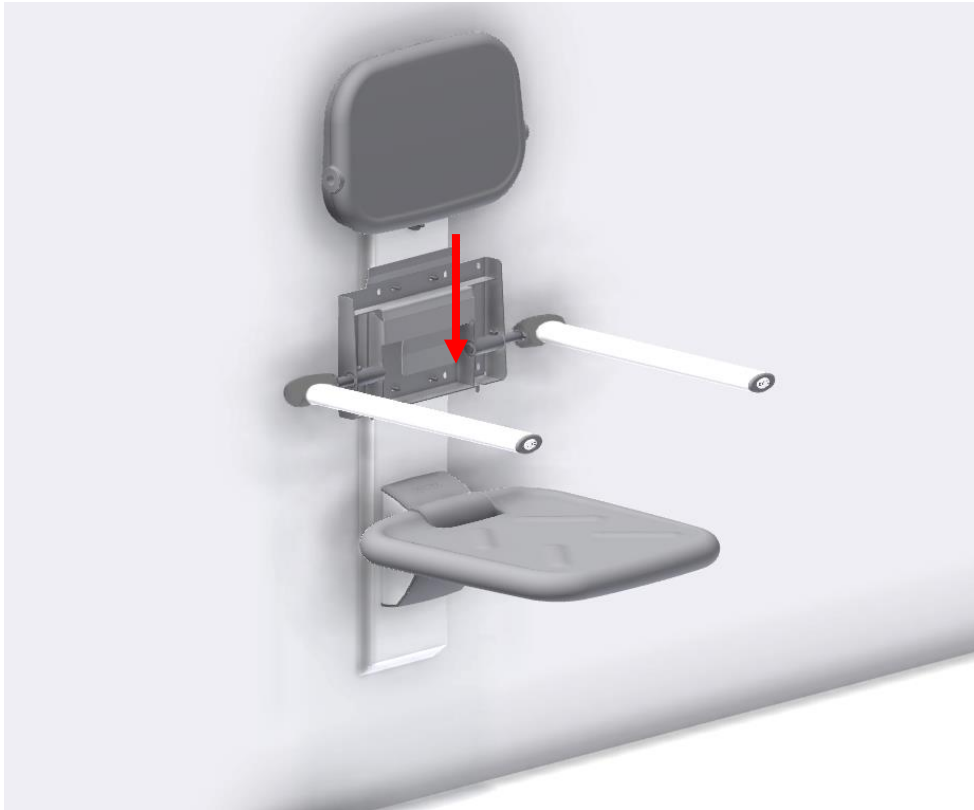
When mounting screws in the wall, always consider the strength and nature of the wall. The screws provided are only intended as a guide for installation on a reinforced wall with regards to the specified maximum loads on screws.



Mounting instructions



Mounting instructions



User information

Safety in use

- The seat and backrest must only be adjusted in height by persons who have read and understood these instructions.
- Always use the unit in a manner excluding the risk of damage to persons or property. The person operating the washbasin is responsible for avoiding damage or injury.
- Modifications, which may influence the performance or design of Ropox Support Washbasin, are not allowed.
- Installation, service and repairs must be carried out by competent personnel.
- During inspection, service or repairs any load must be removed from the unit.

Service information

Maintenance



Inspections, service and repairs must be carried out by competent personnel

The unit is maintenance-free. Moving parts have been lubricated for life. For reasons of safety and reliability, we recommend inspection of the unit once a year.

Inspection

After a month

Check: All bolts and screws have been securely tightened
The unit can easily be height adjusted all 125mm

Complaint

See General Terms of Sale and Delivery on www.ropox.dk



ROPOX A/S

Ringstedgade 221

DK – 4700 Næstved

Phone.: +45 55 75 05 00 Fax.: +45 55 75 05 50

E-mail: info@ropox.dk

www.ropox.dk