



# Ropox Support Washbasin

Fixed – Basic - Manual

## MOUNTING INSTRUCTIONS

Keep this manual with the product at all times

**Mounting must always be carried out by competent personnel**

Before starting installation, check that all parts mentioned in the list of components have been delivered.

See list of components from page 23.

Ropox Support Washbasin is available in three models:



Fixed

page 3



Basic height adjustment

page 4-11



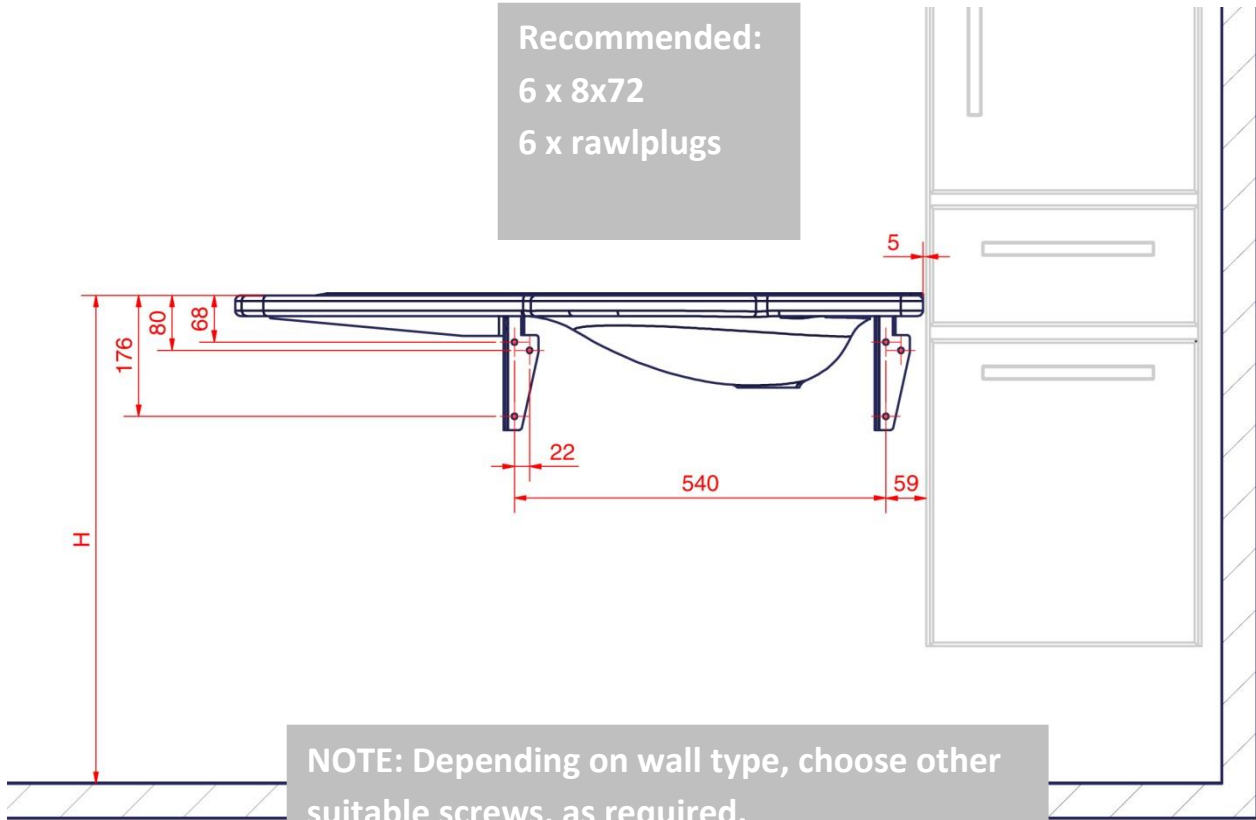
Manual height adjustment

page 12-22

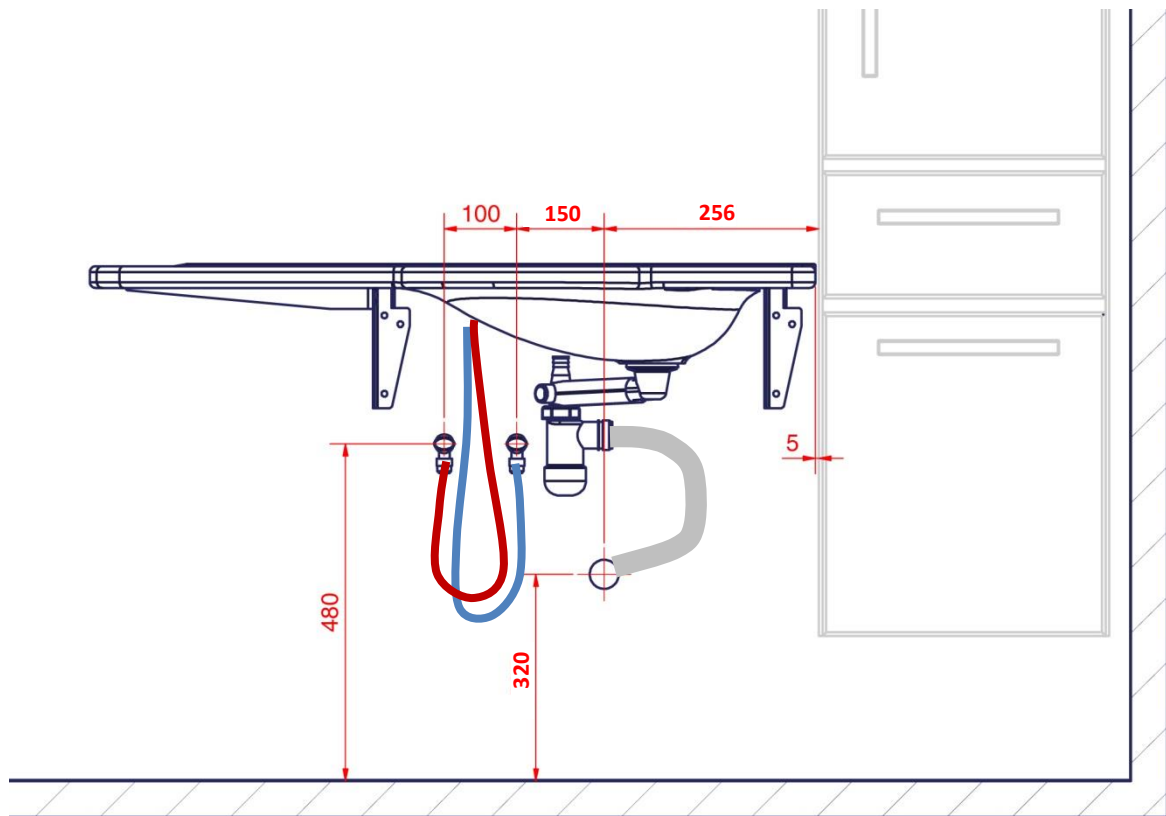
**NOTE:**  
When mounting screws in the wall, always consider the strength and nature of the wall. The screws provided are only intended as a guide for installation on a reinforced wall with a view to the specified maximum loads on screws.

# Support Washbasin, Fixed (40-44010/11)

Recommended:  
6 x 8x72  
6 x rawlplugs

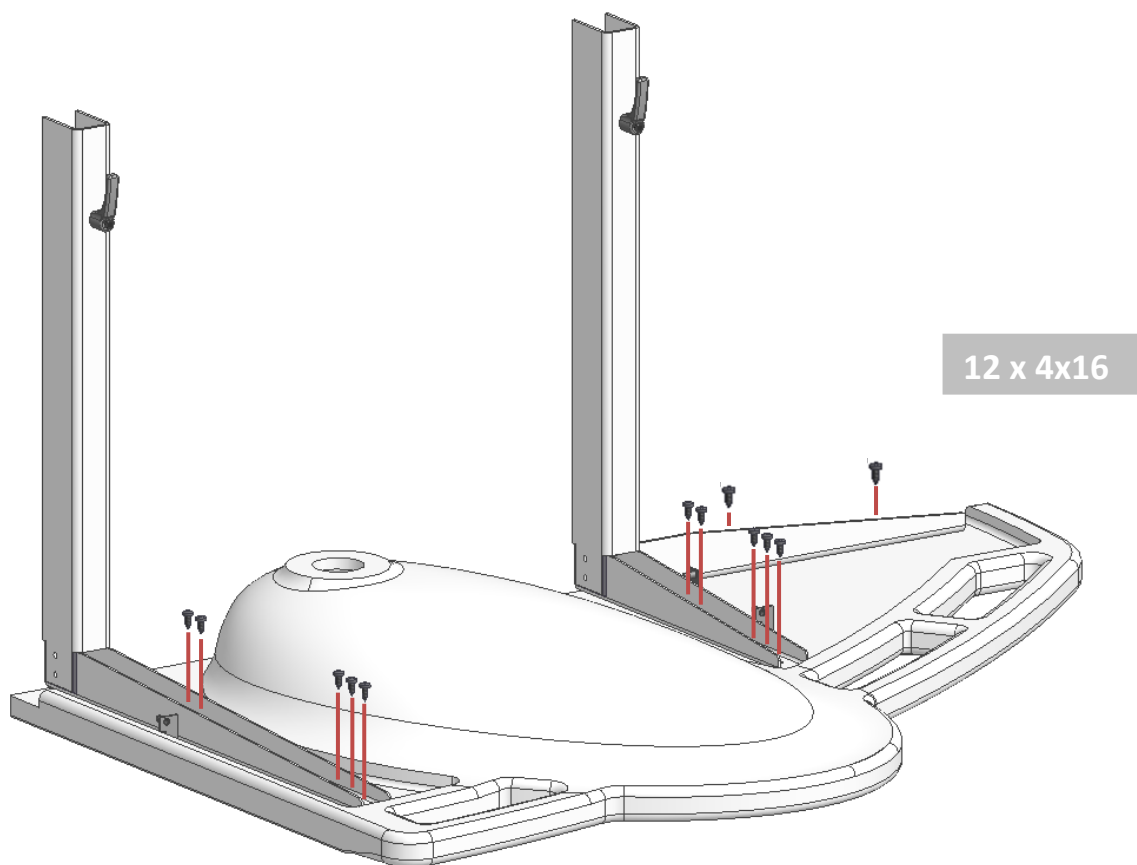
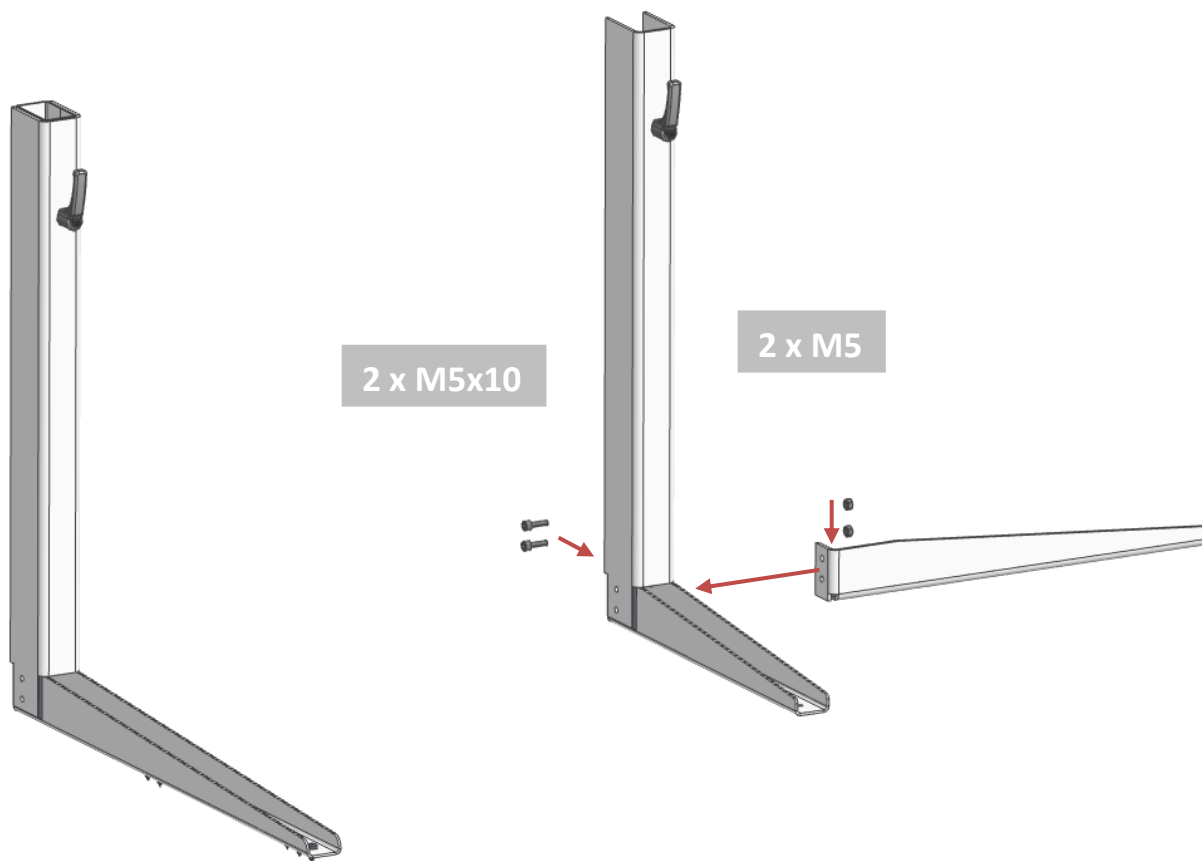


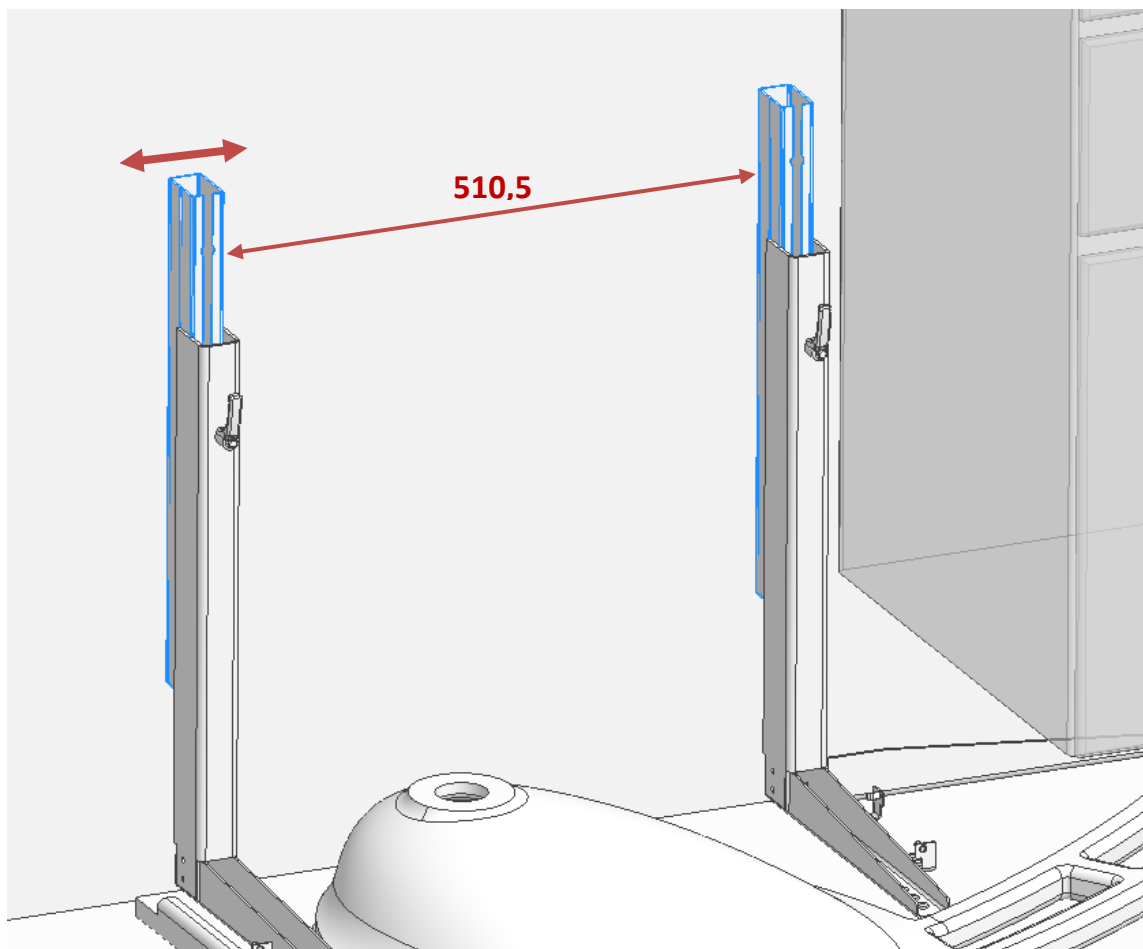
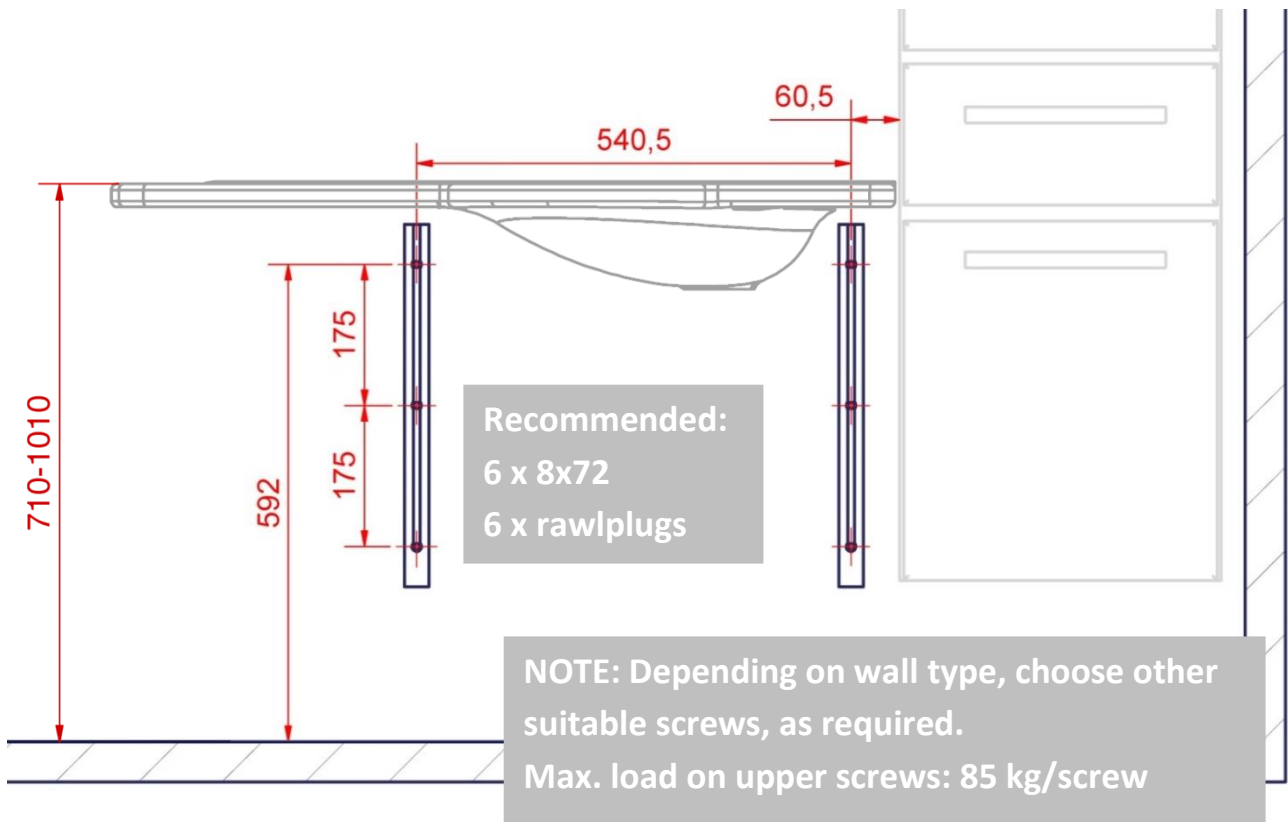
NOTE: Depending on wall type, choose other suitable screws, as required.  
Max load on upper screws: 150 kg/screw



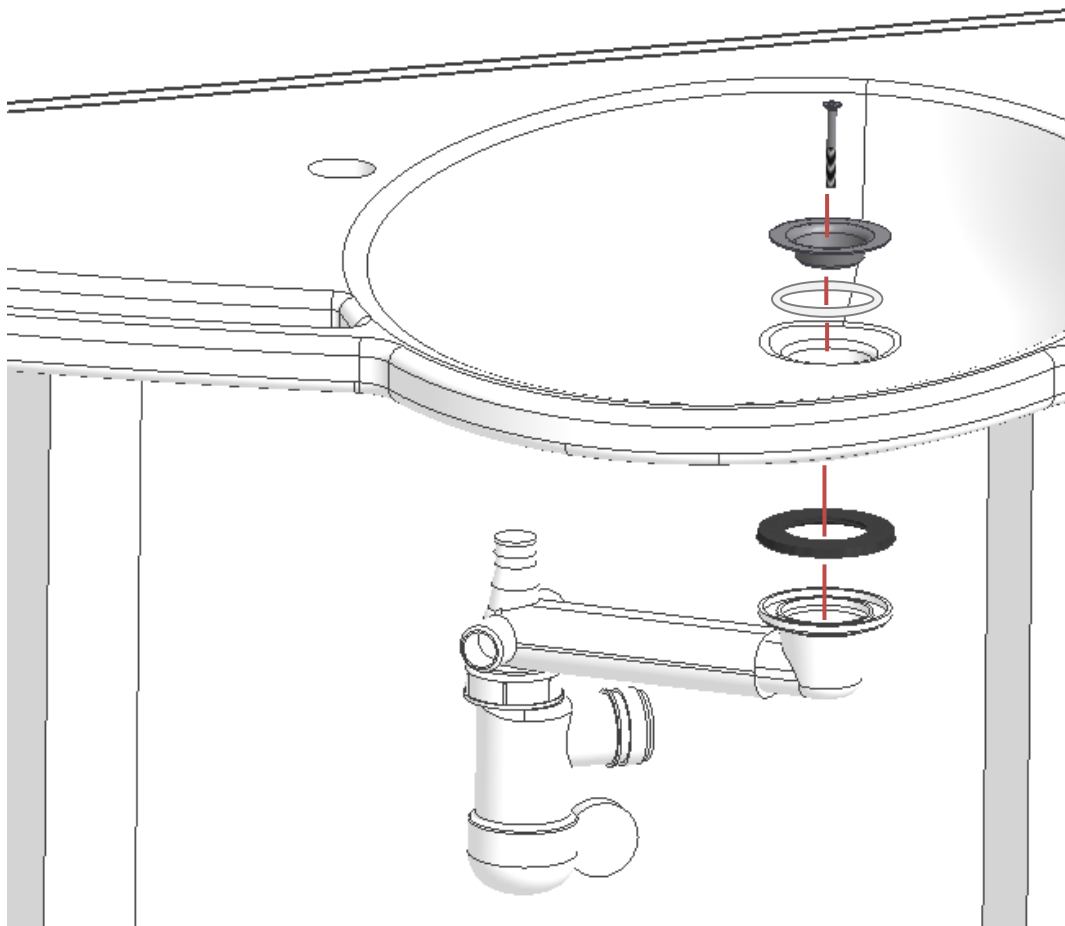
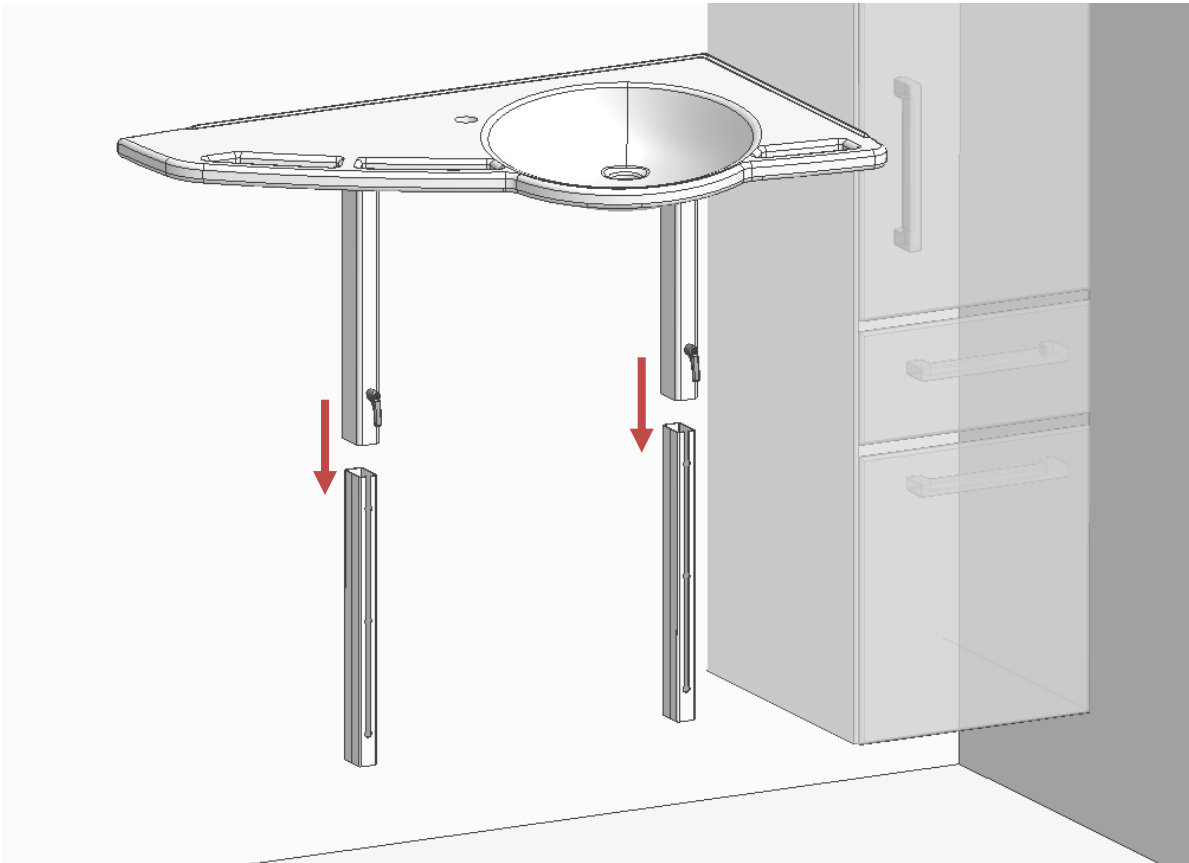
Mounting of covers: See page 9-11

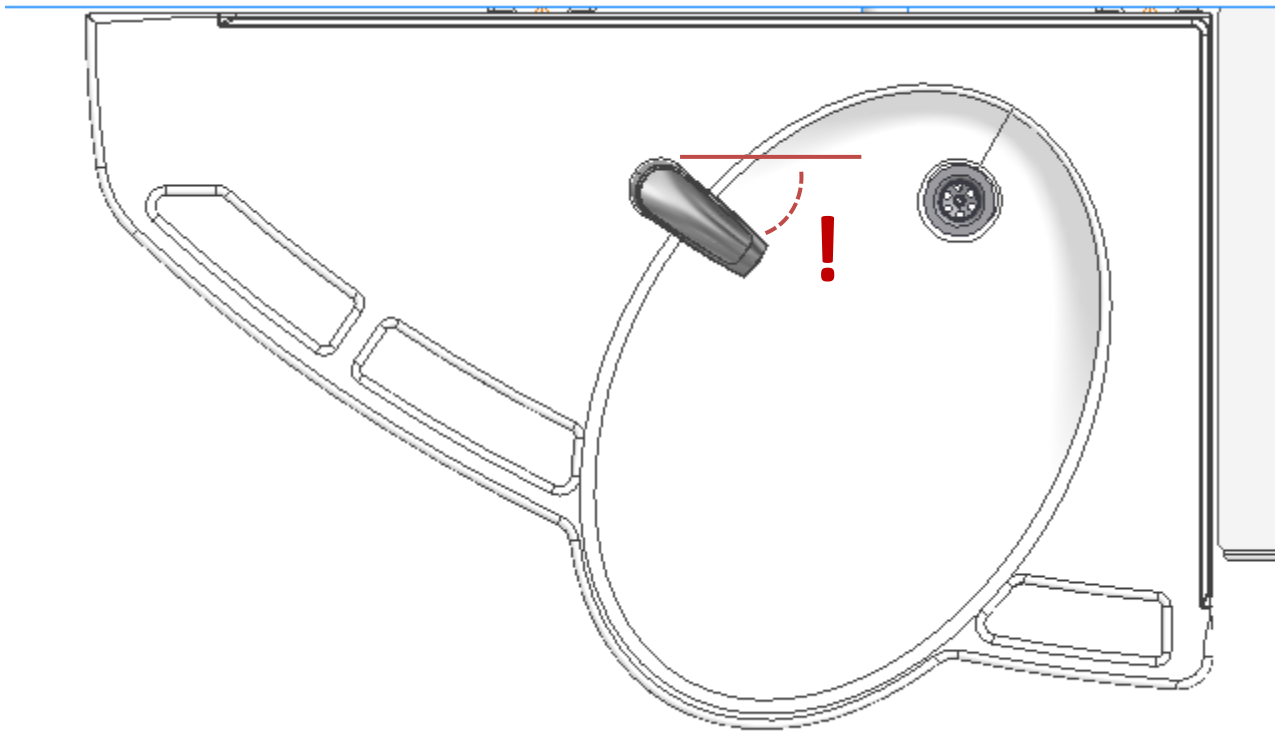
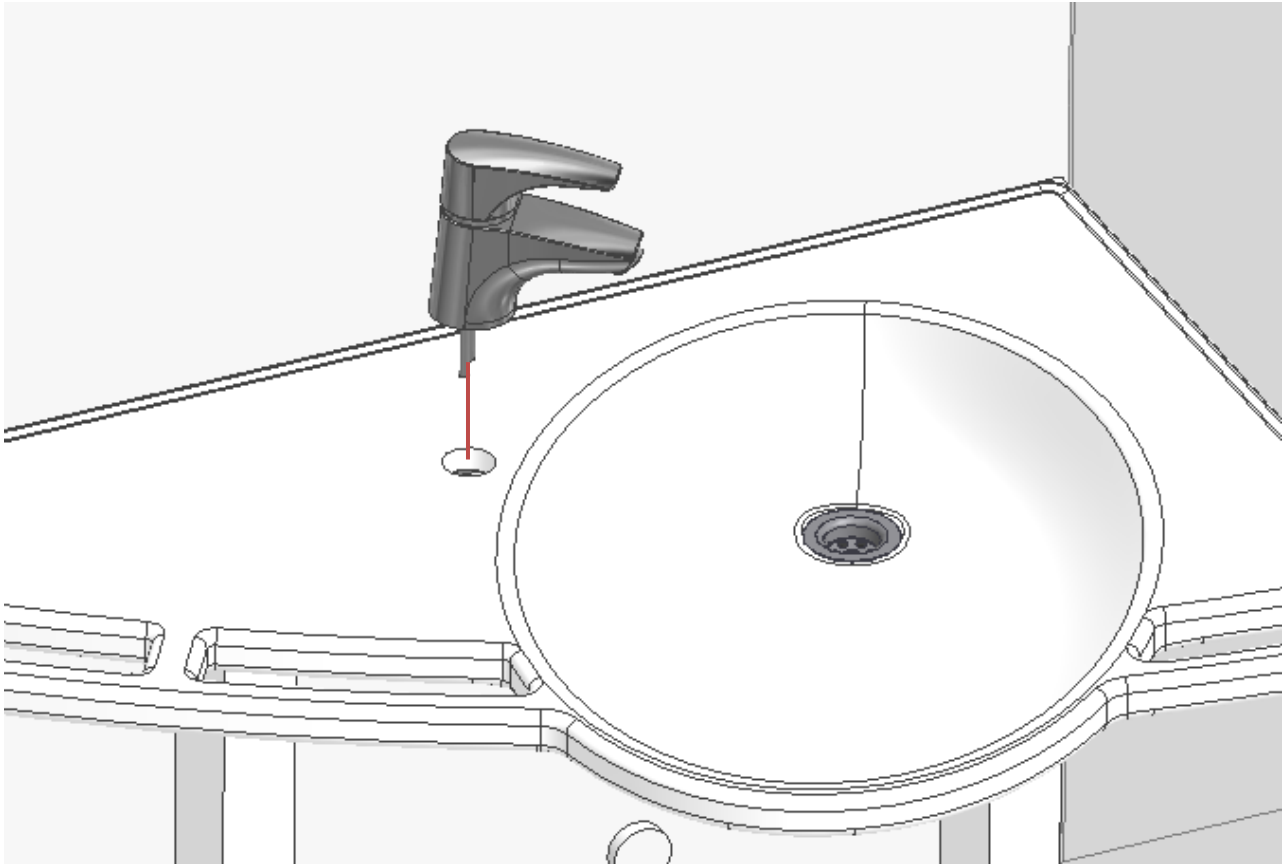
# Support Washbasin with Basic frame (40-4012/13)

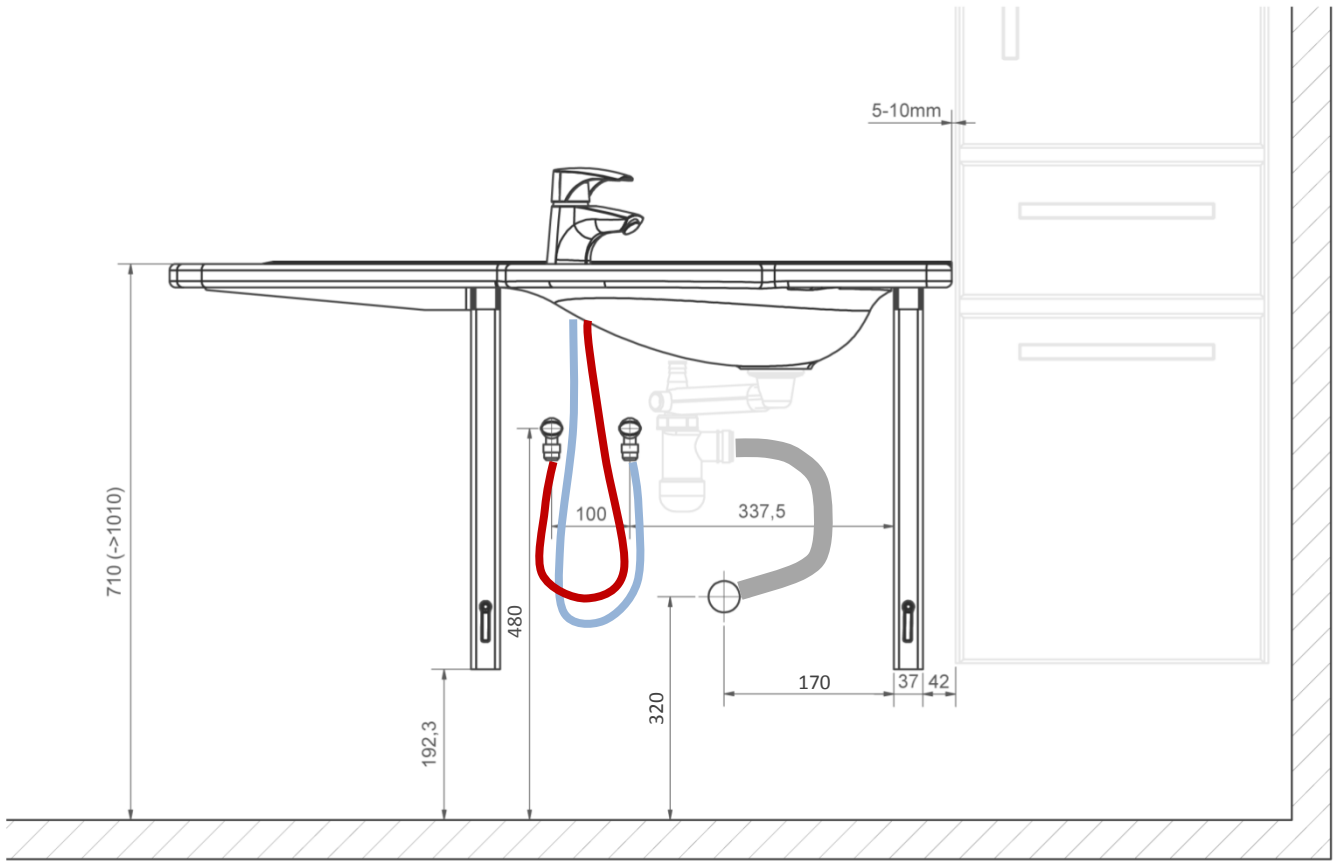




Fine adjustment of wall fitting – use legs on washbasin as a guide

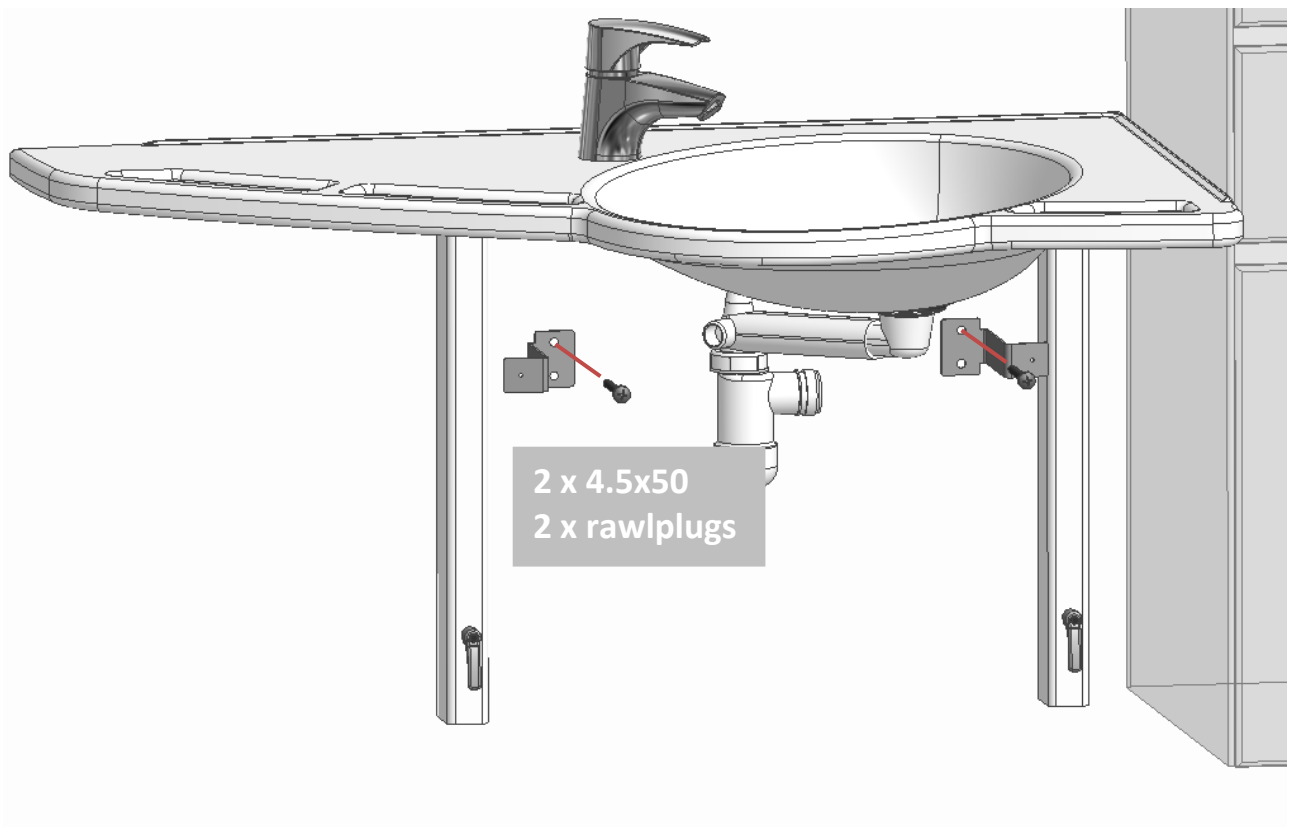
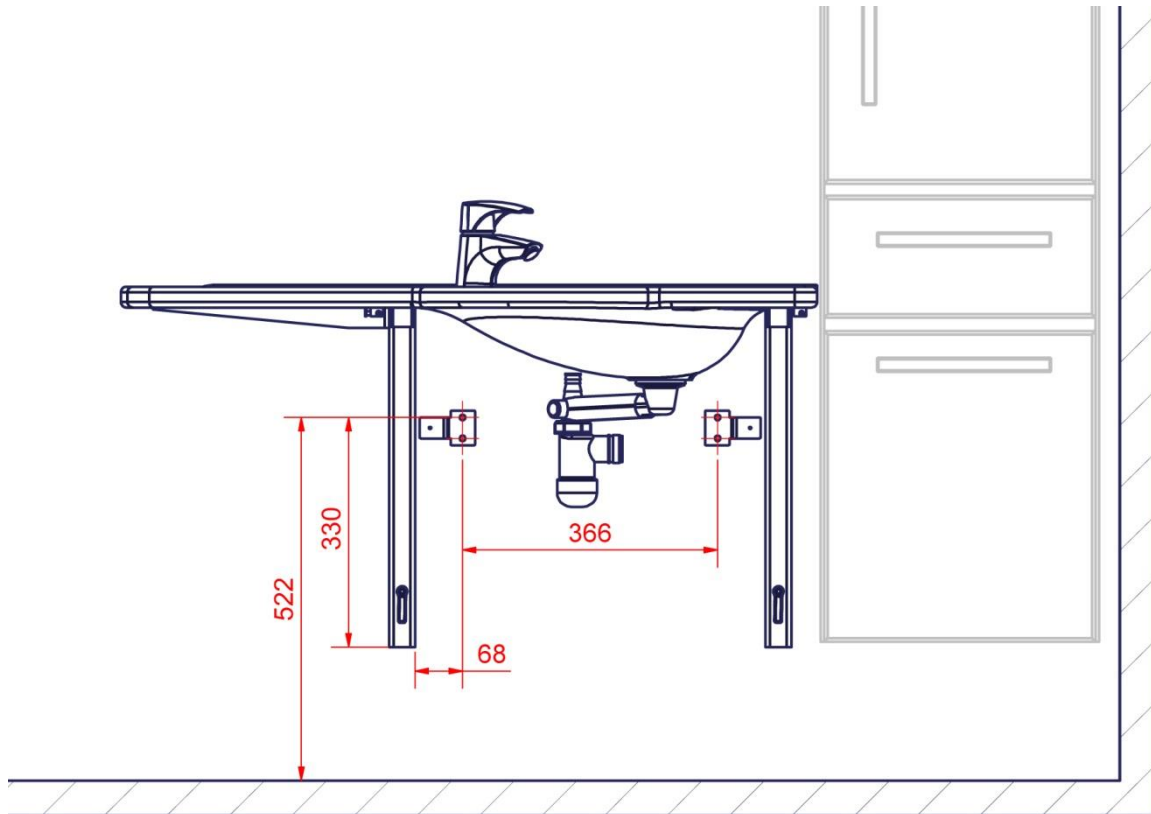


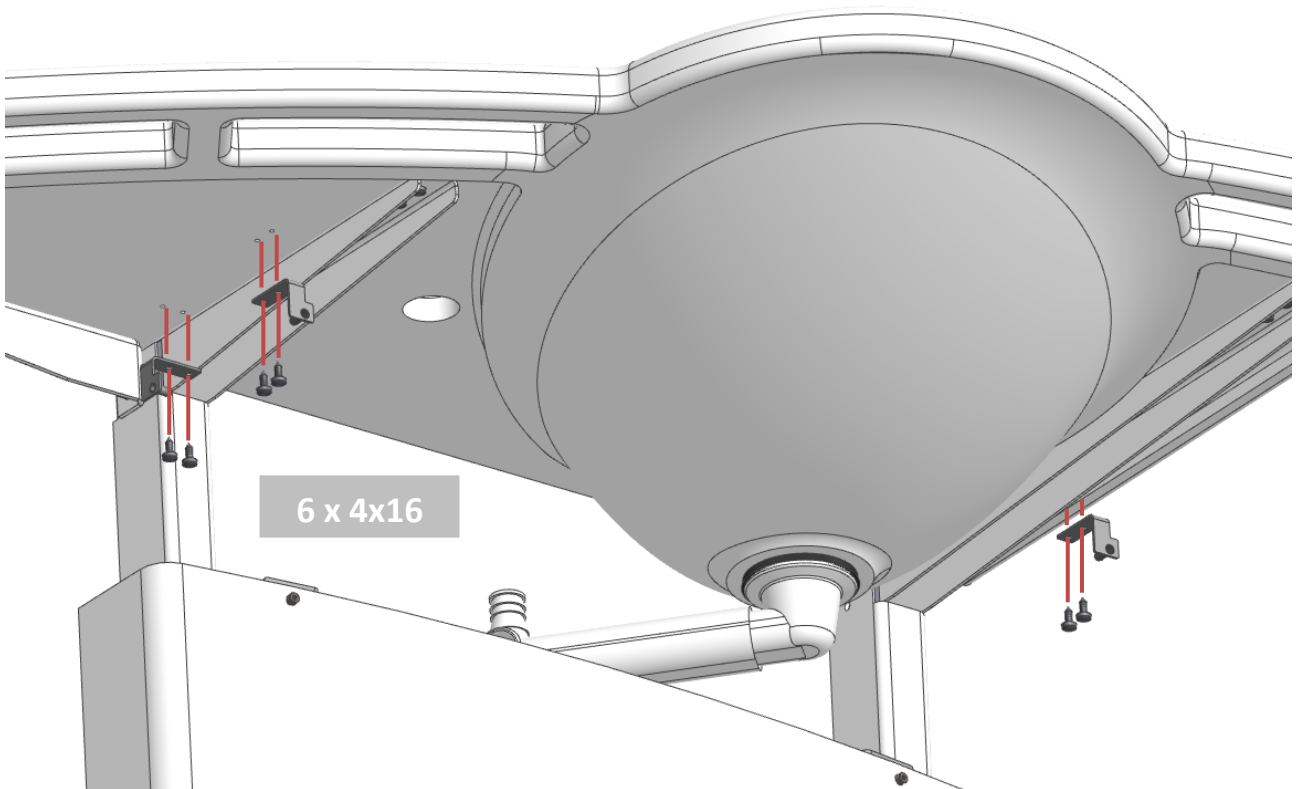
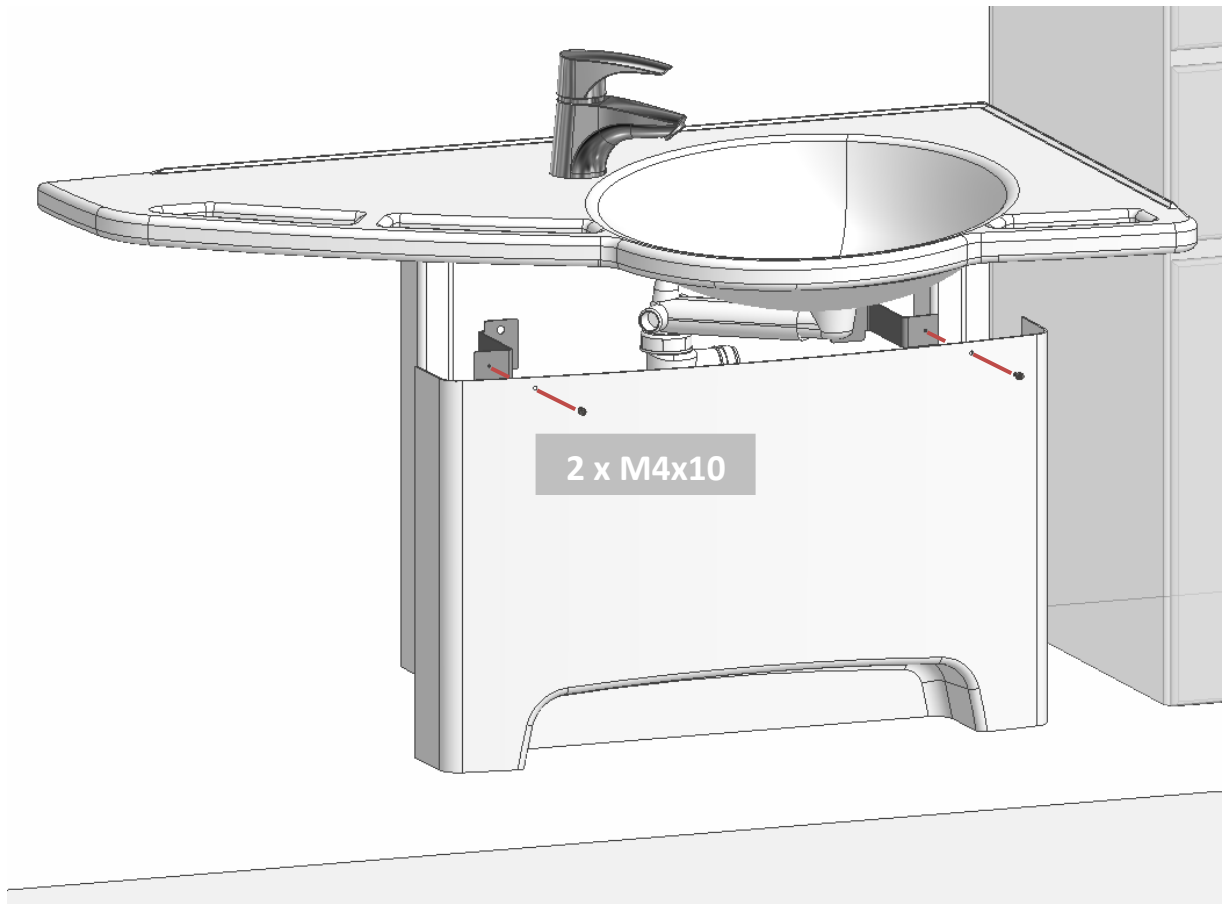


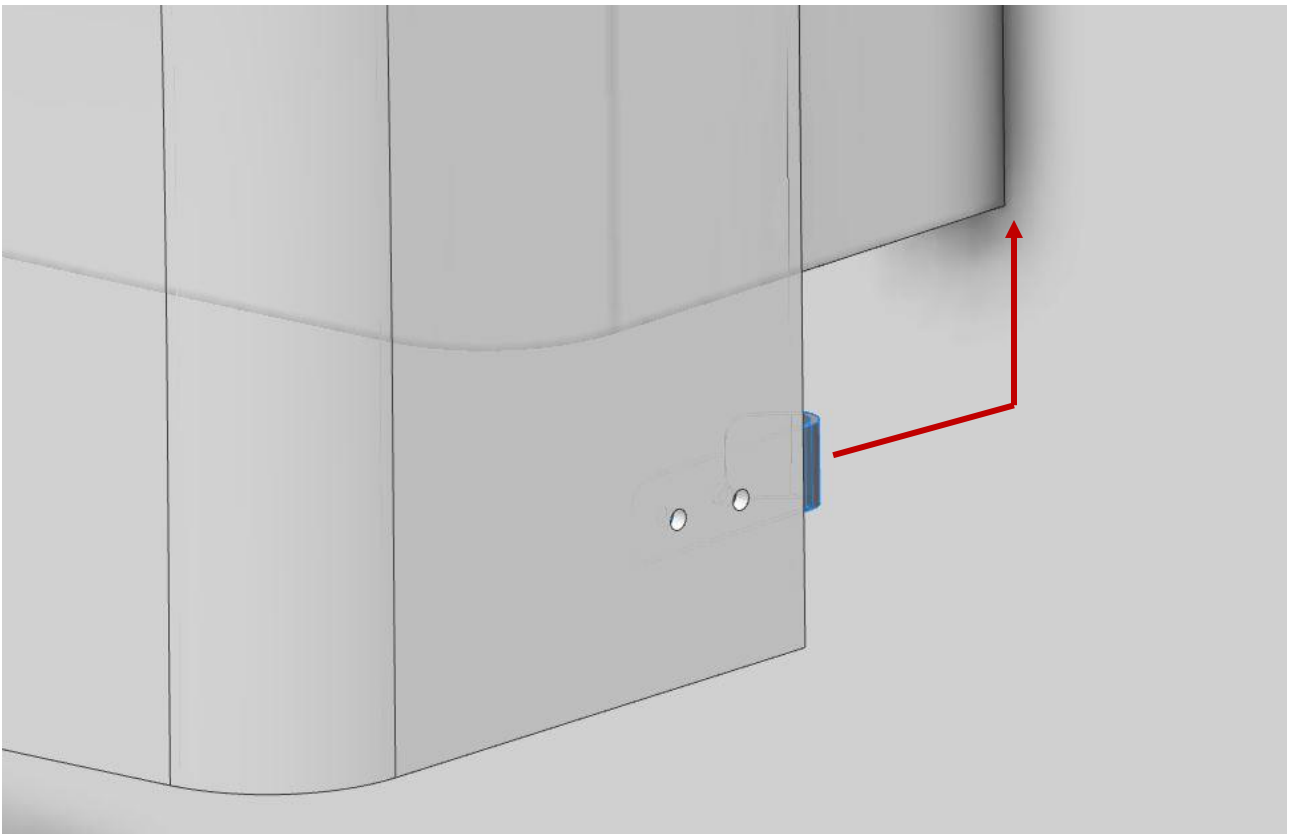
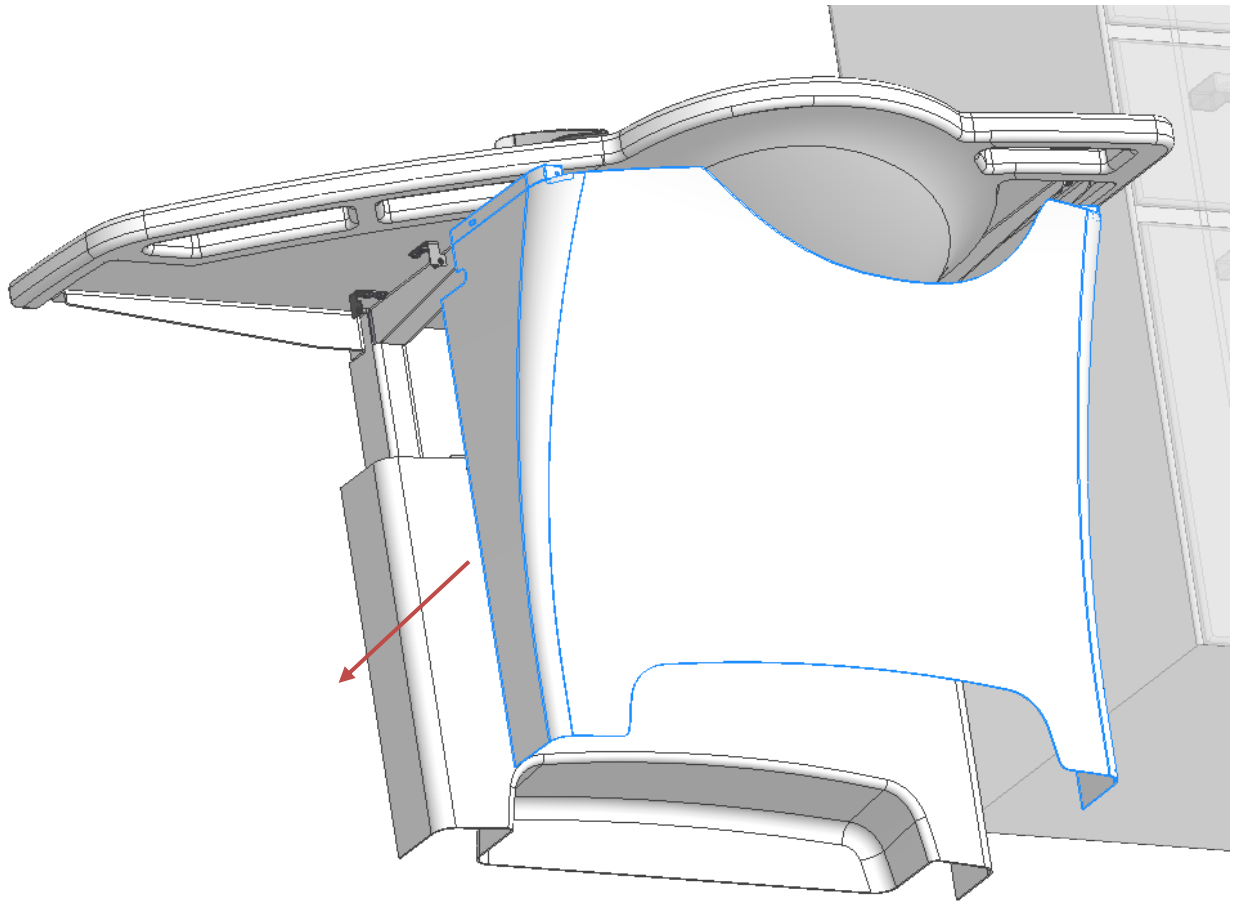


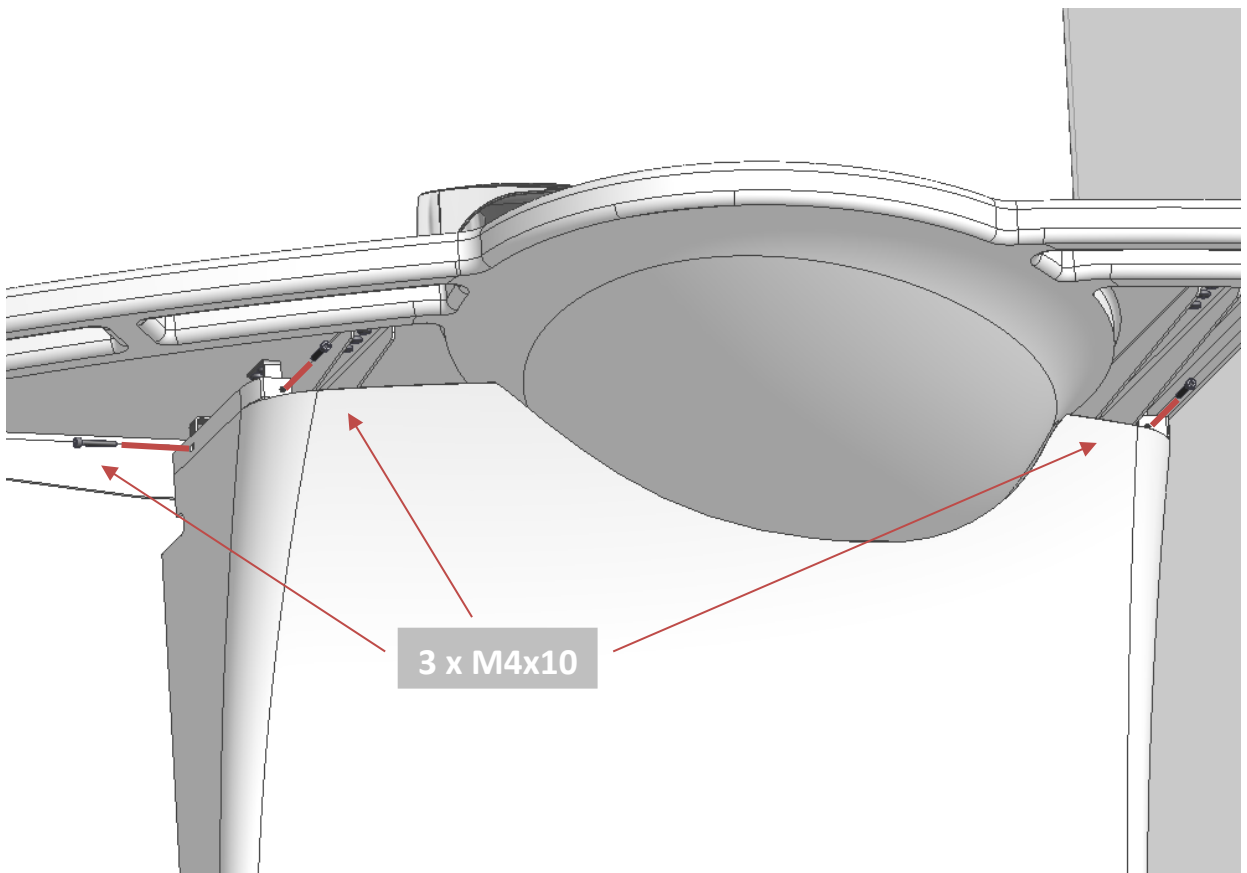


## Mounting of covers for 40-44012/13

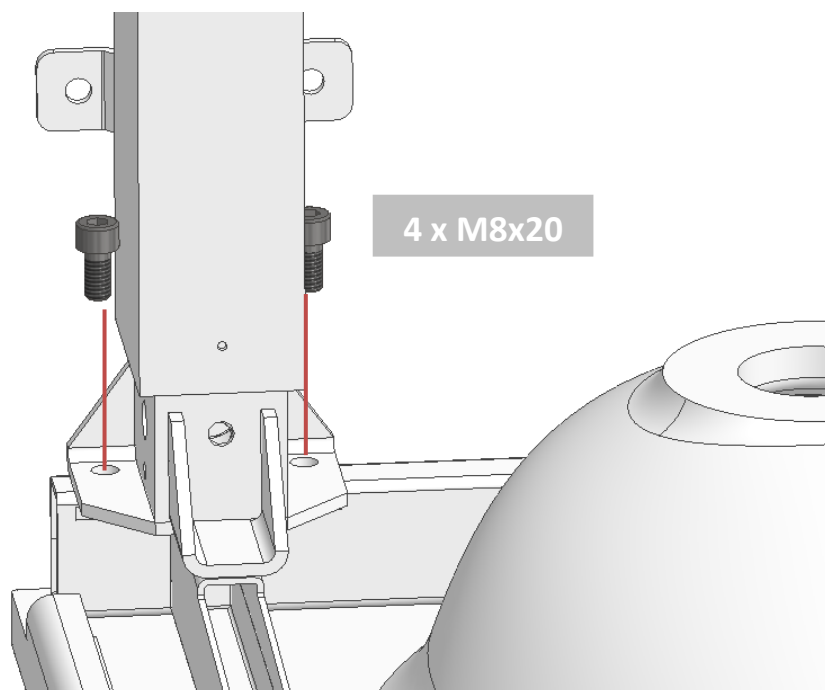
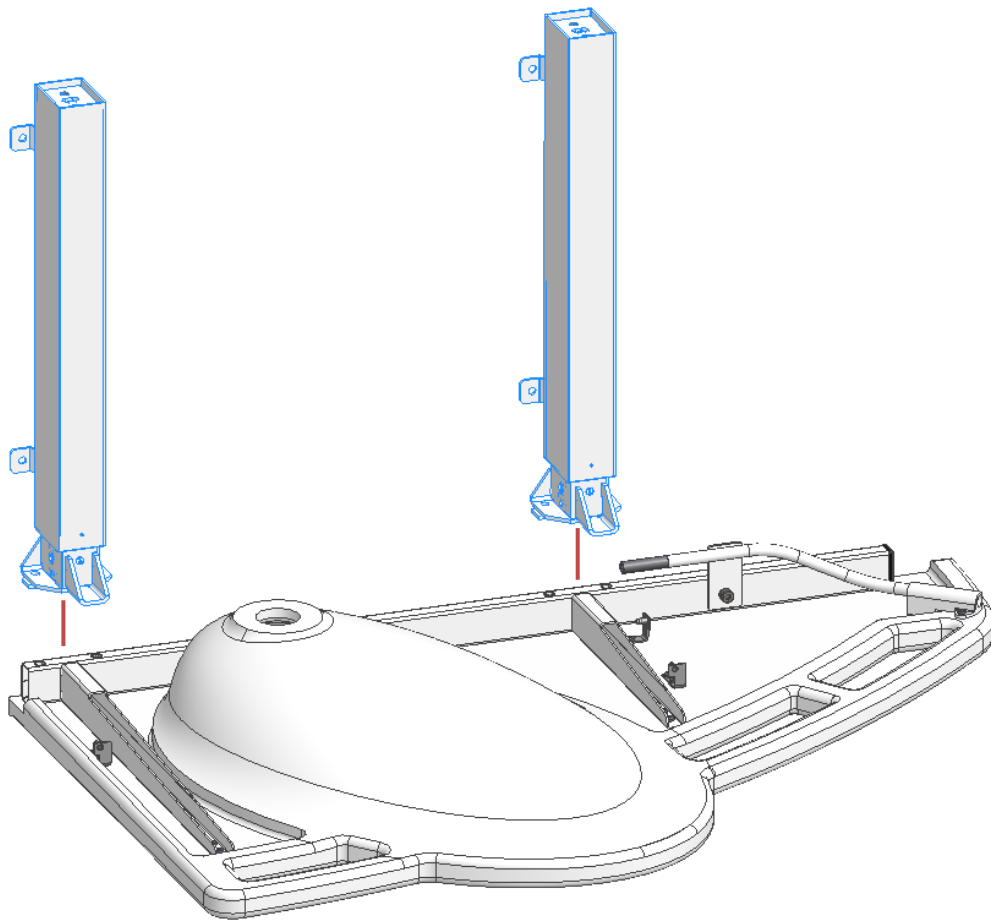


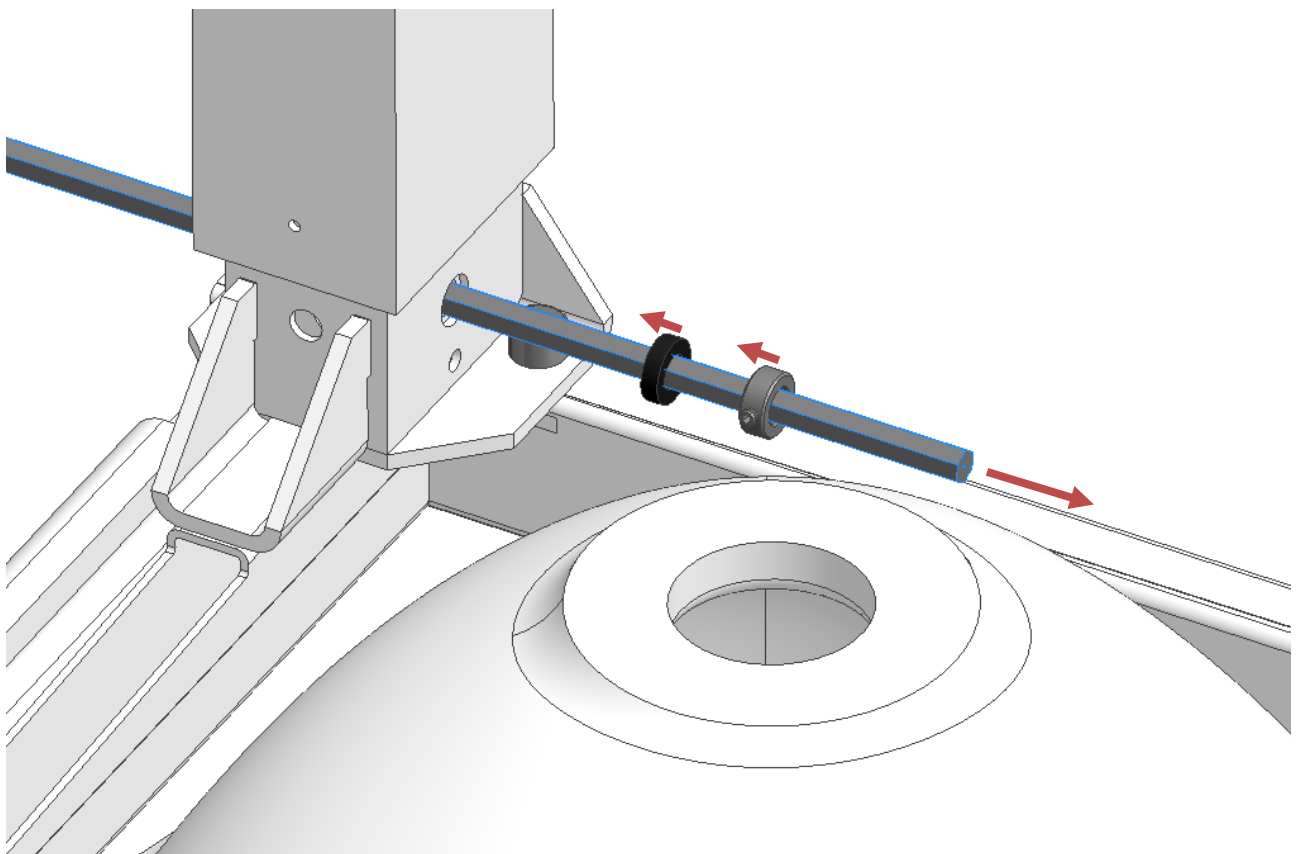
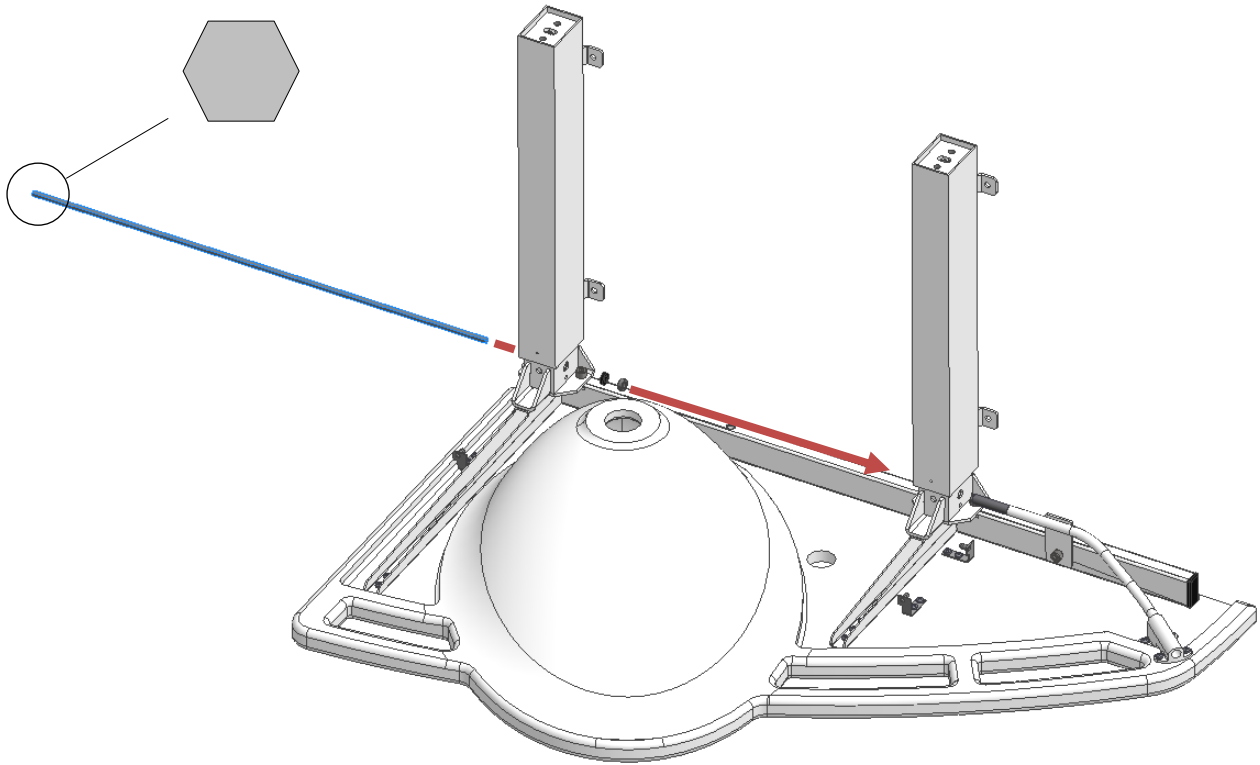


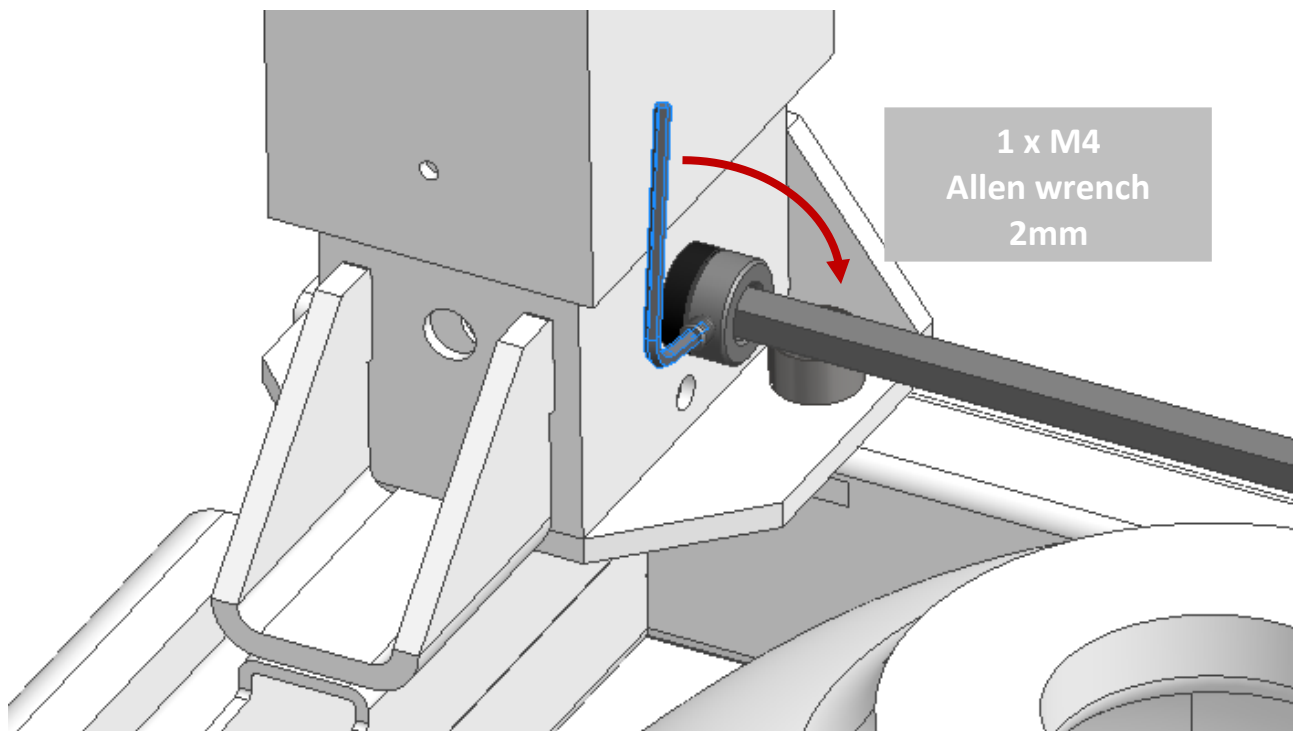
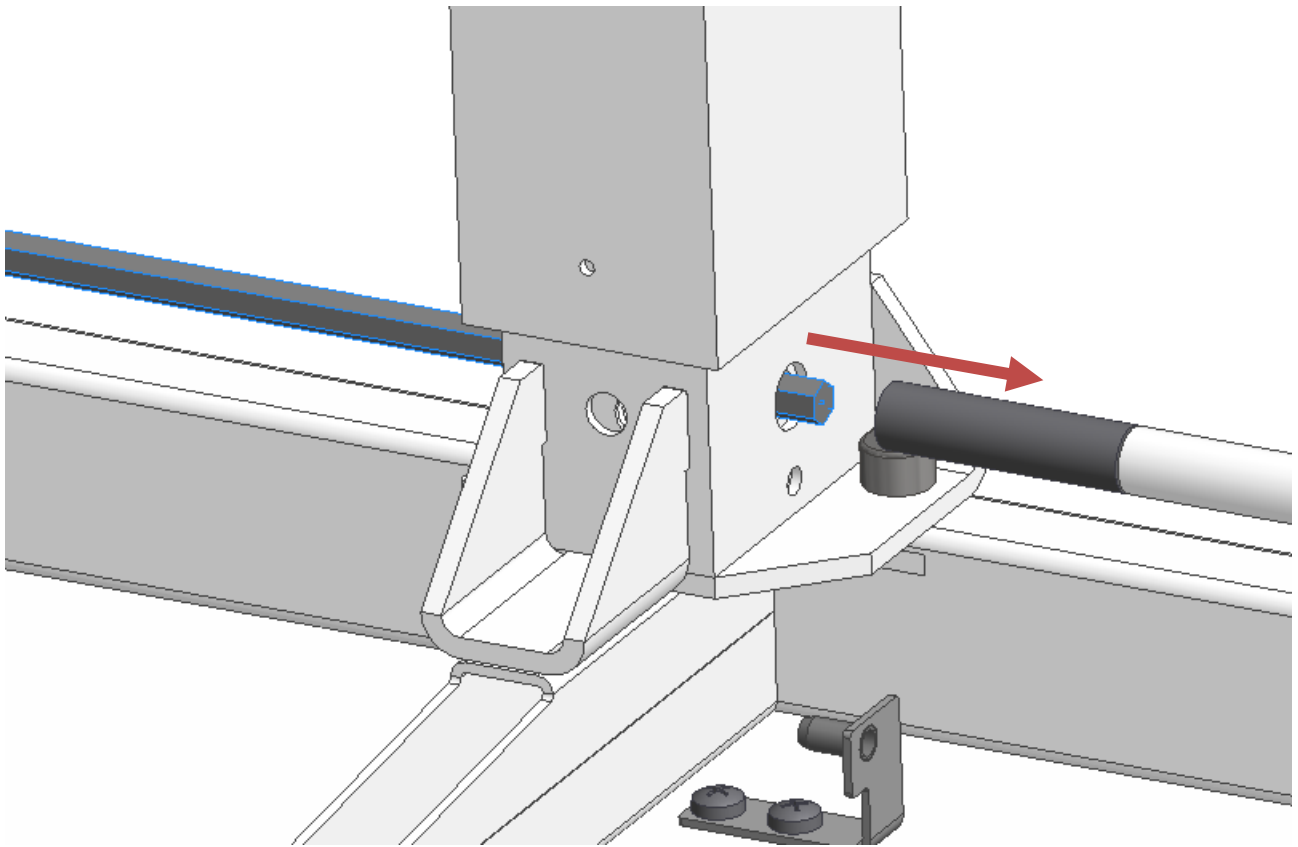


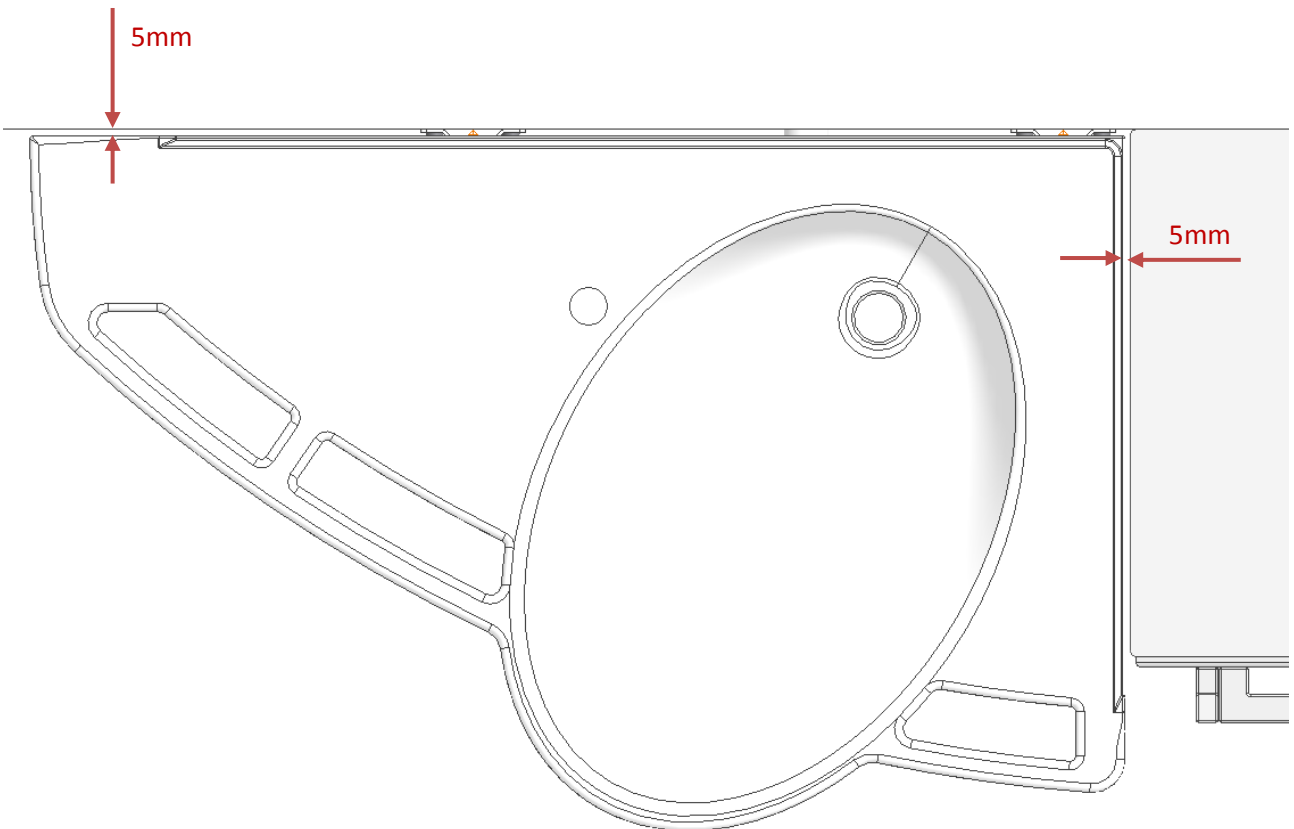
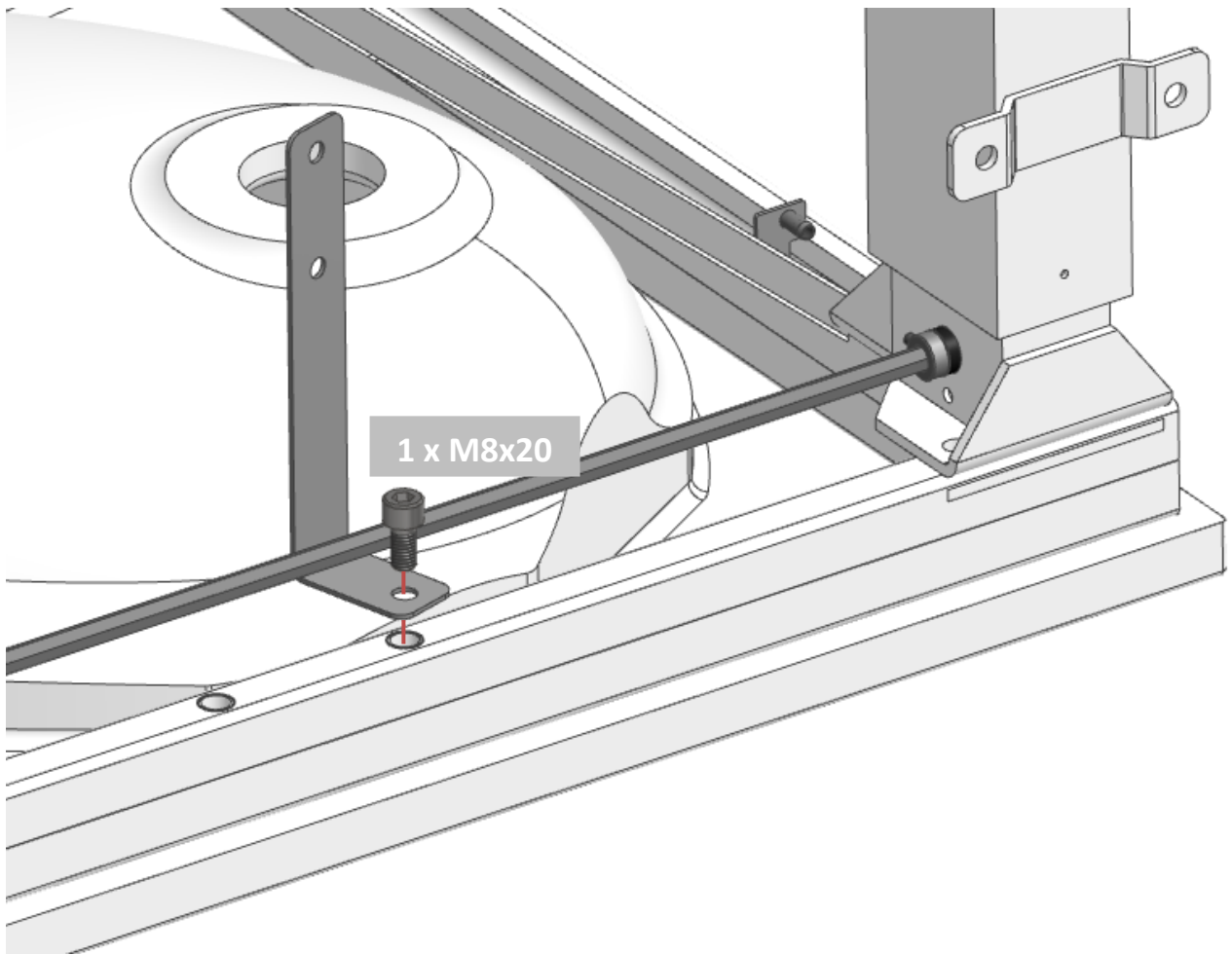


# Support Washbasin with Manual frame (40-44014/15)



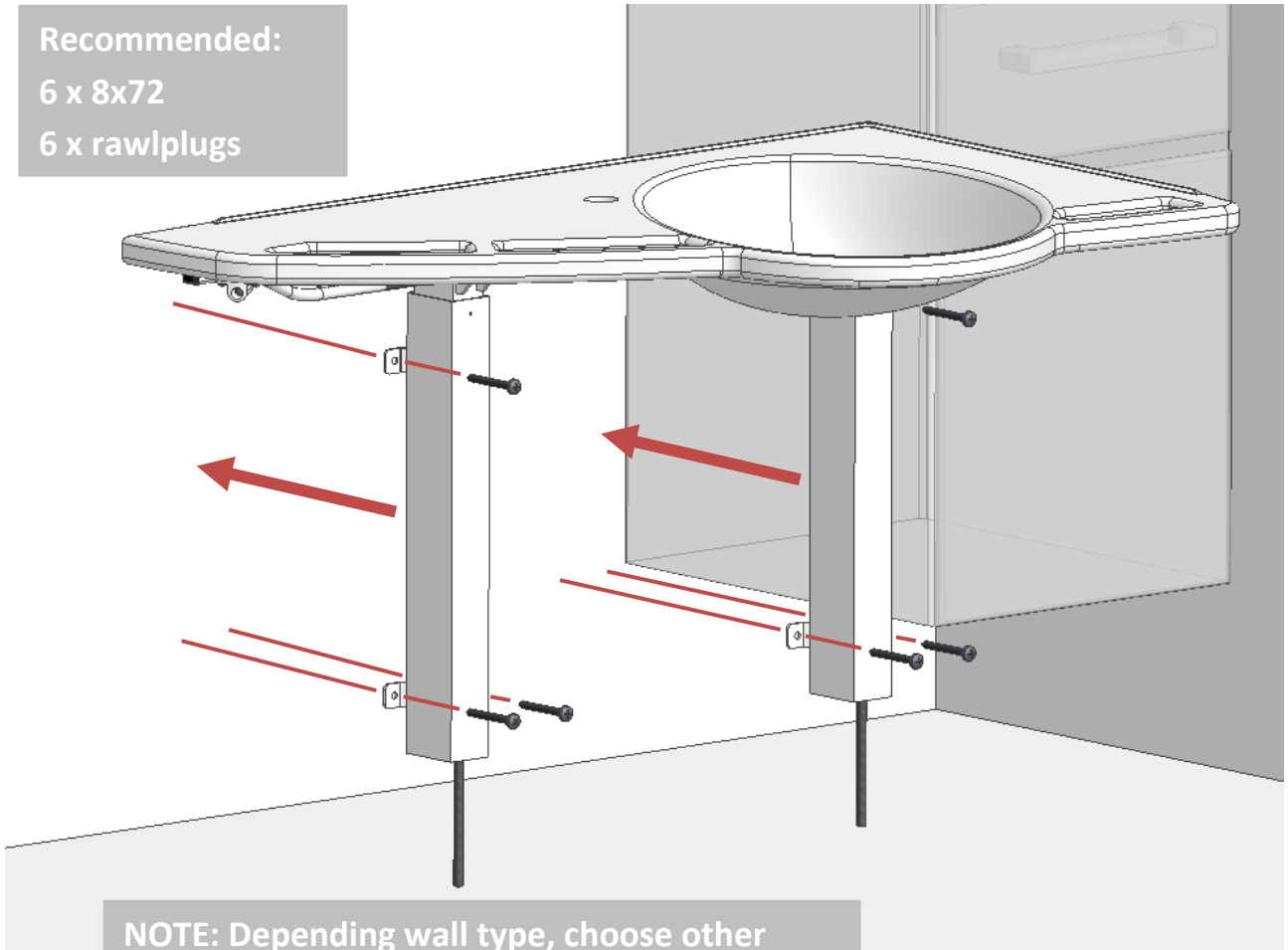




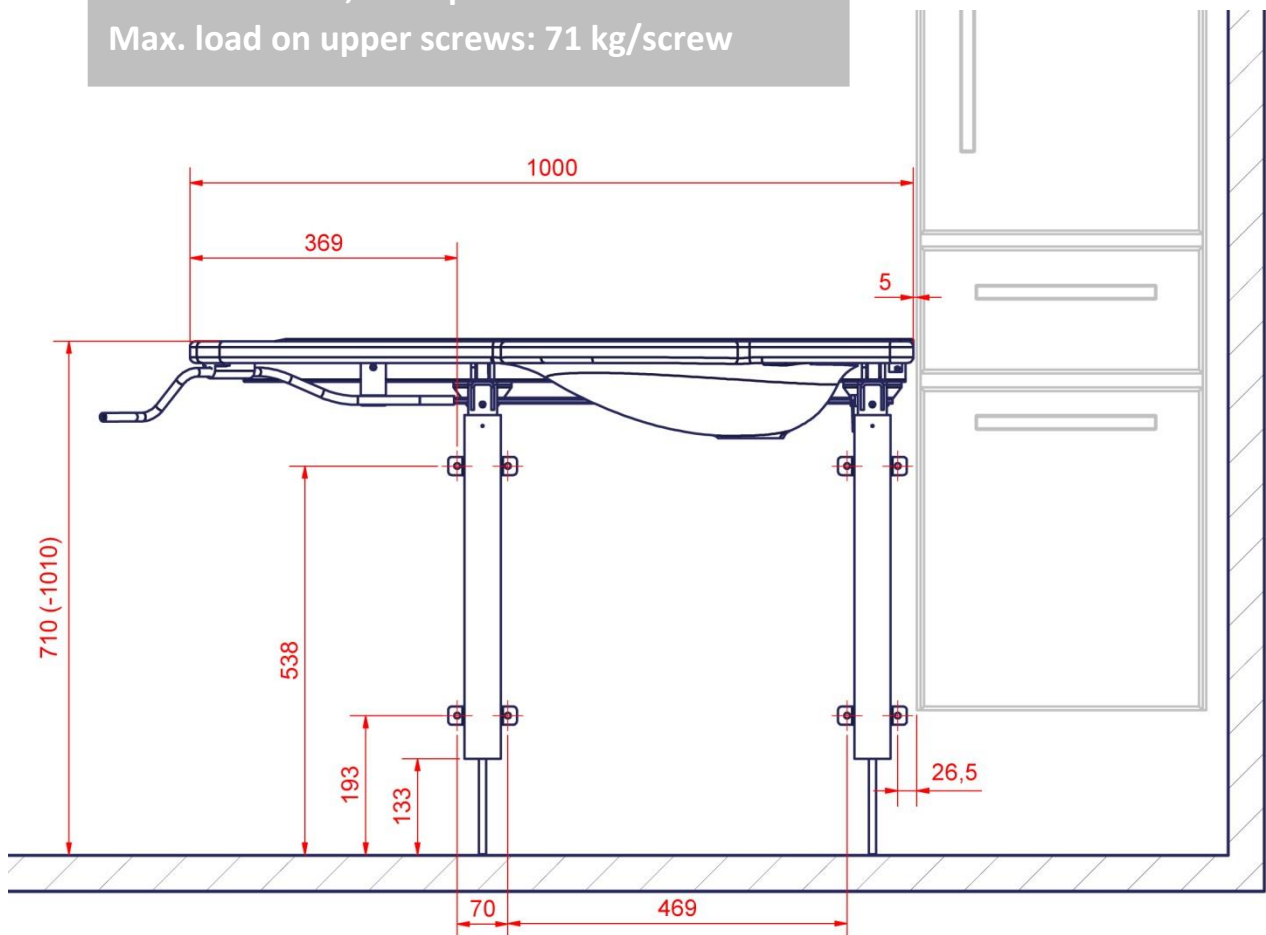


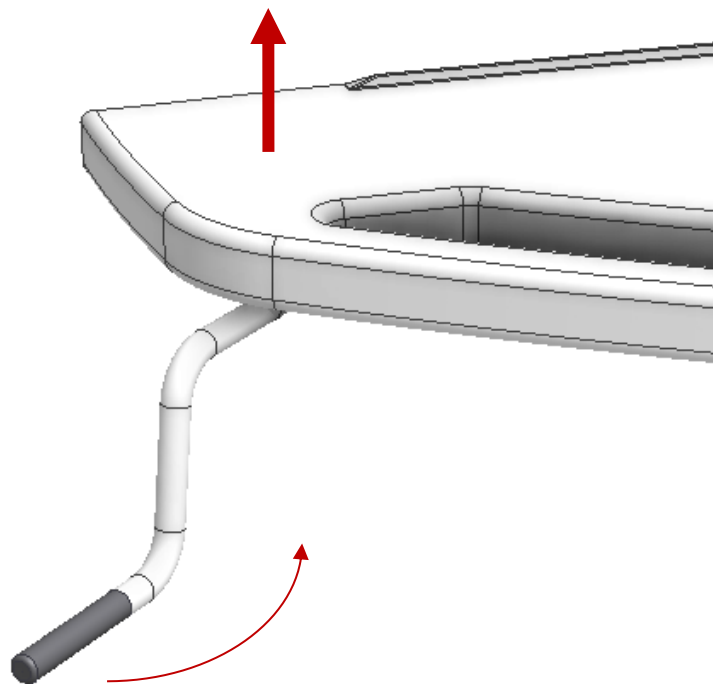
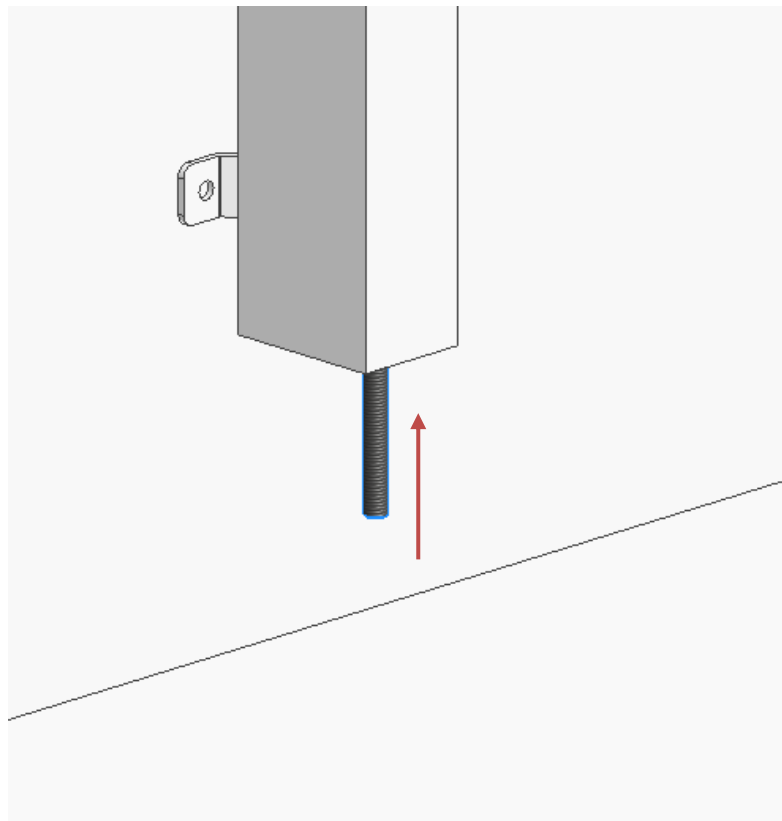


Recommended:  
6 x 8x72  
6 x rawlplugs

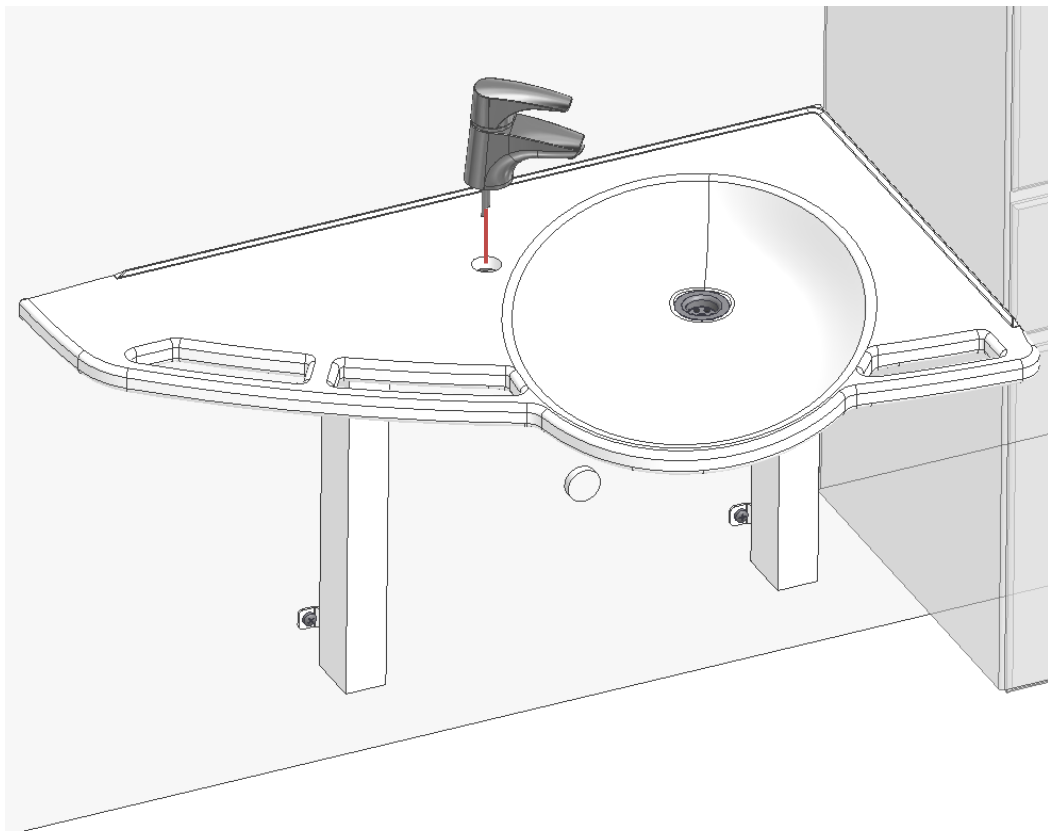
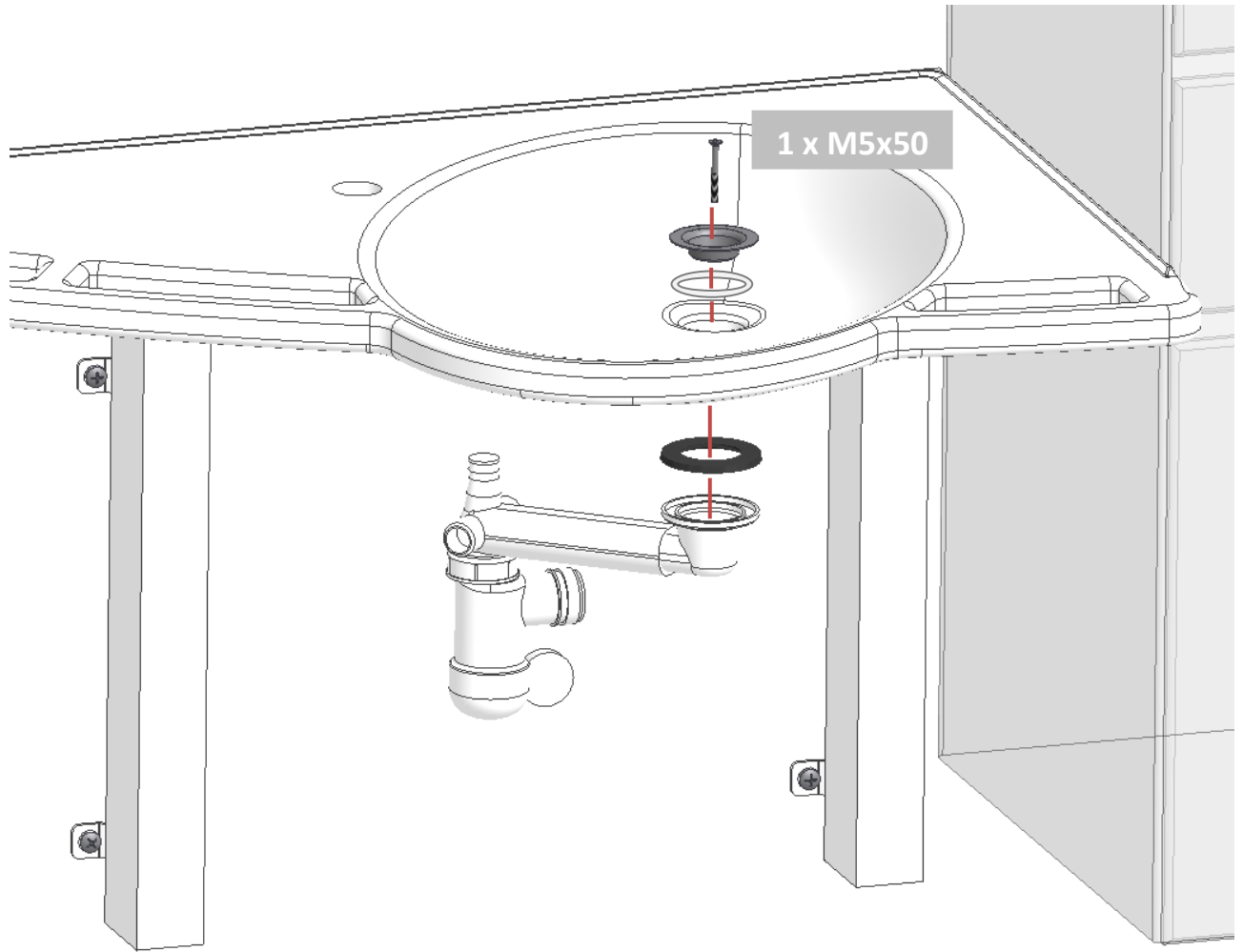


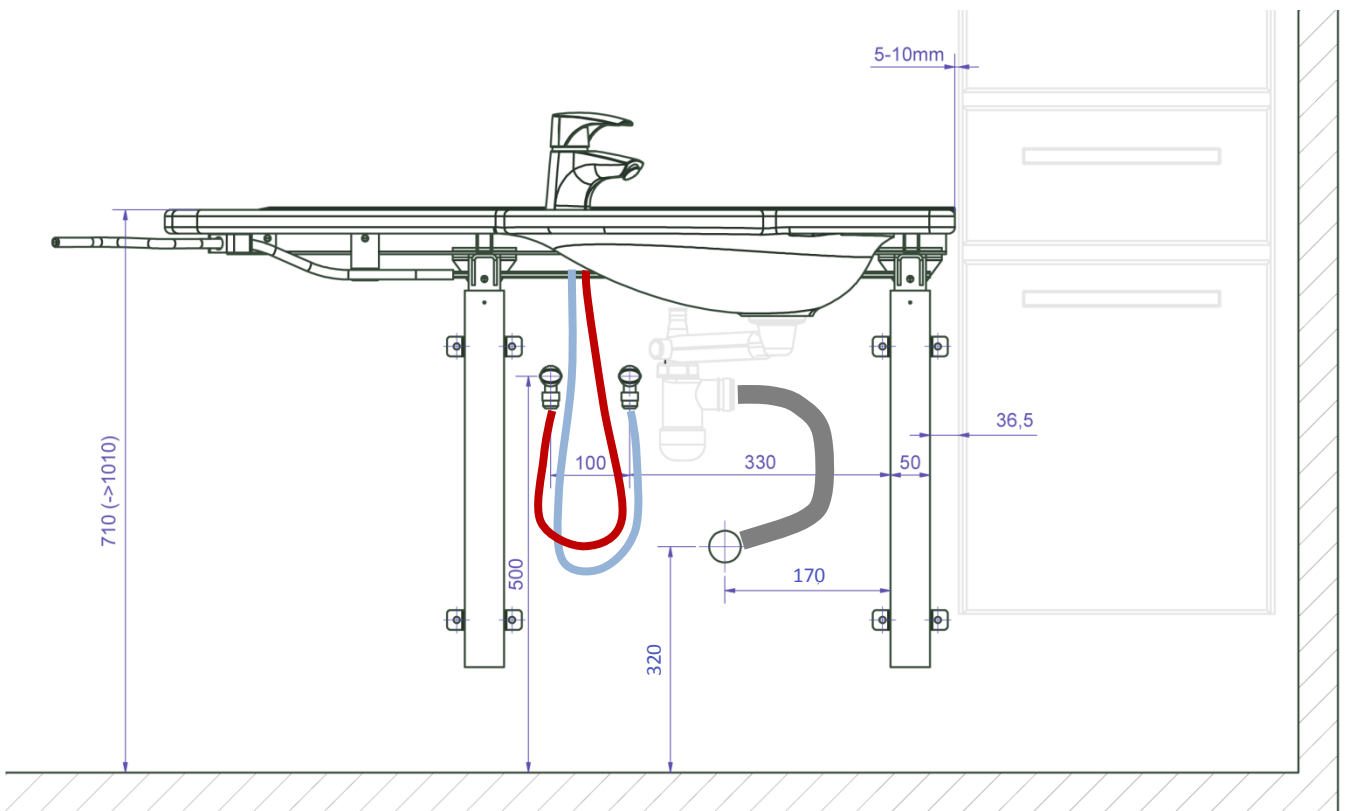
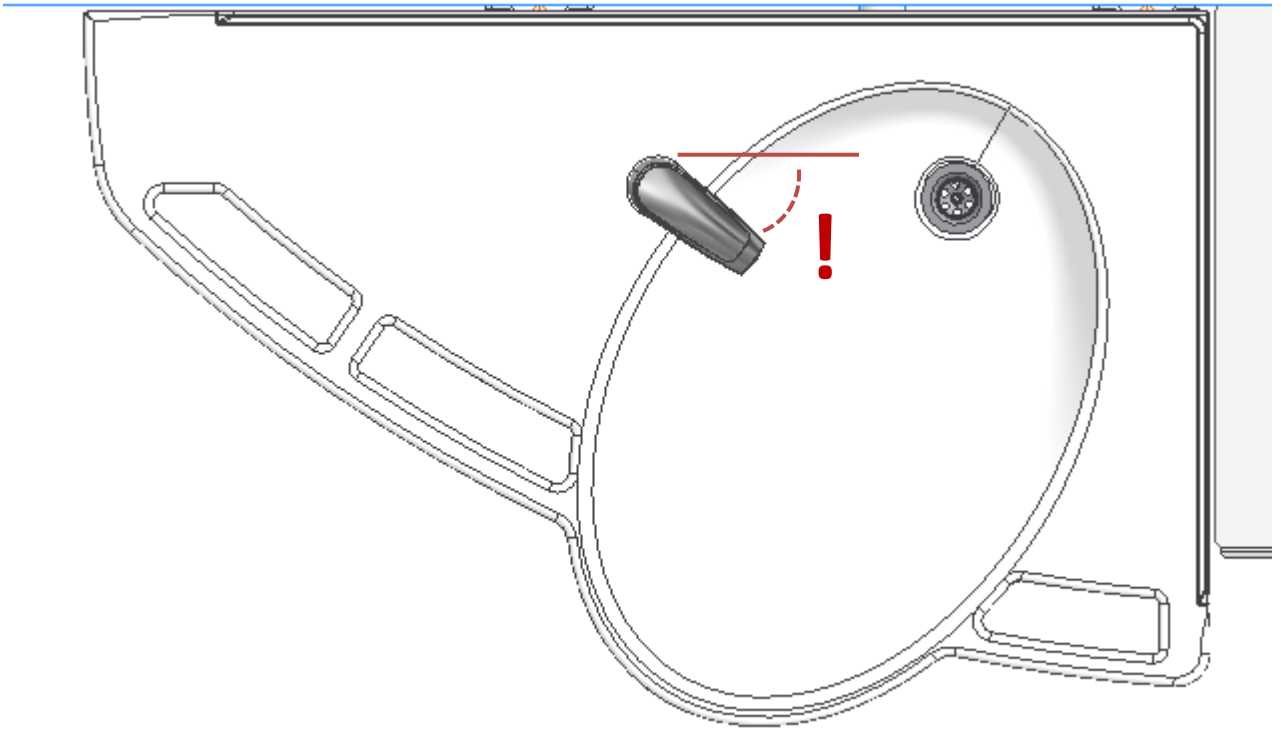
NOTE: Depending wall type, choose other suitable screws, as required.  
Max. load on upper screws: 71 kg/screw



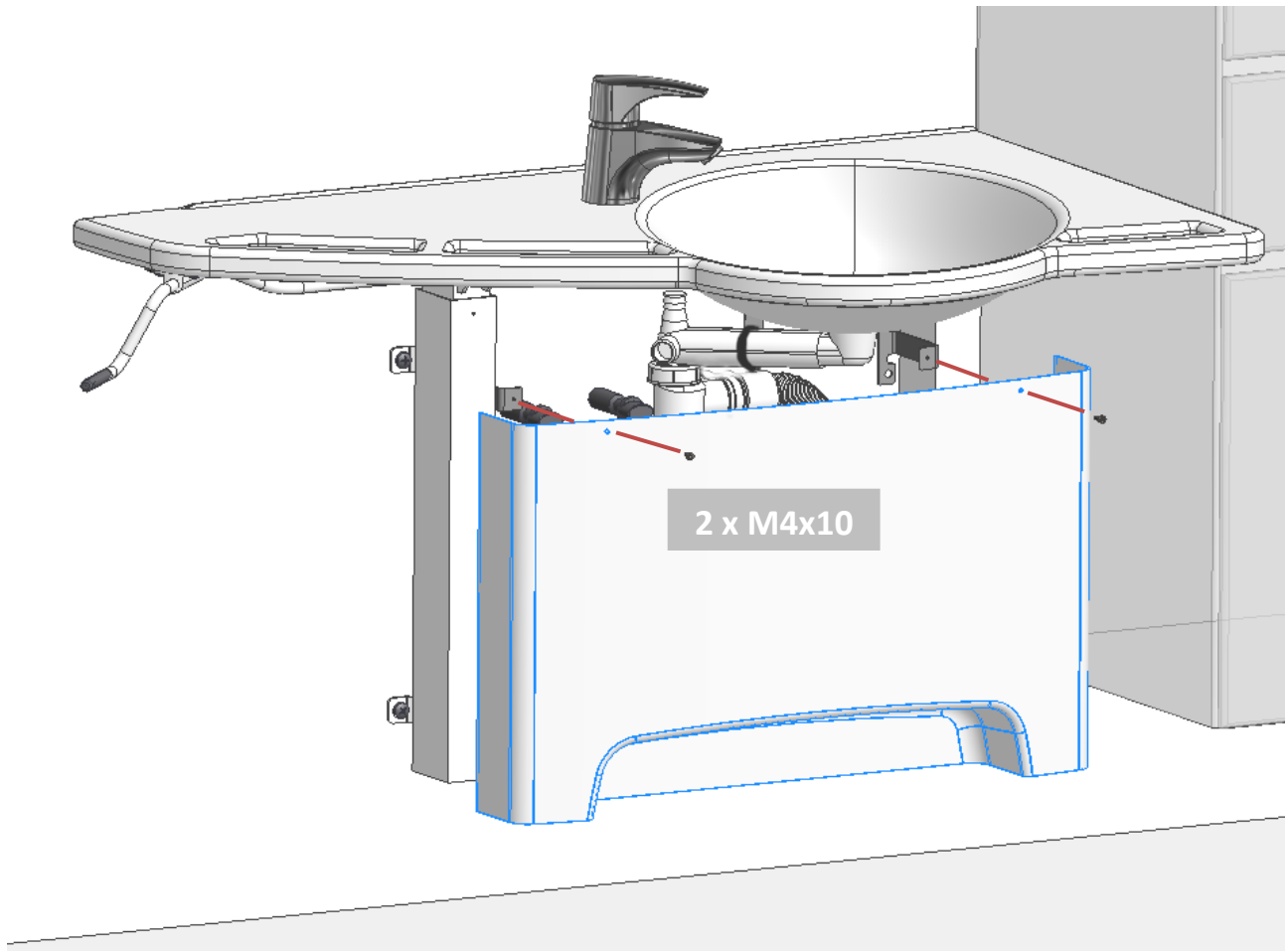
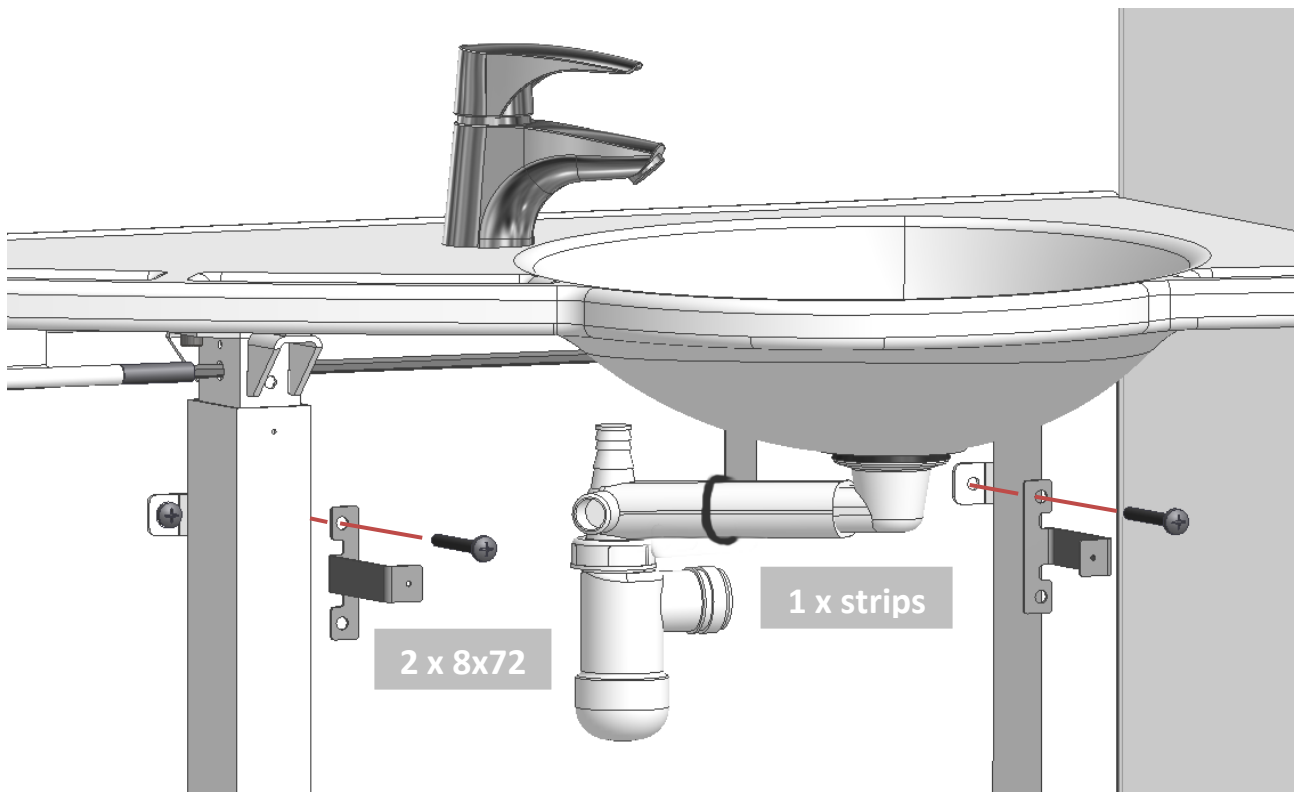


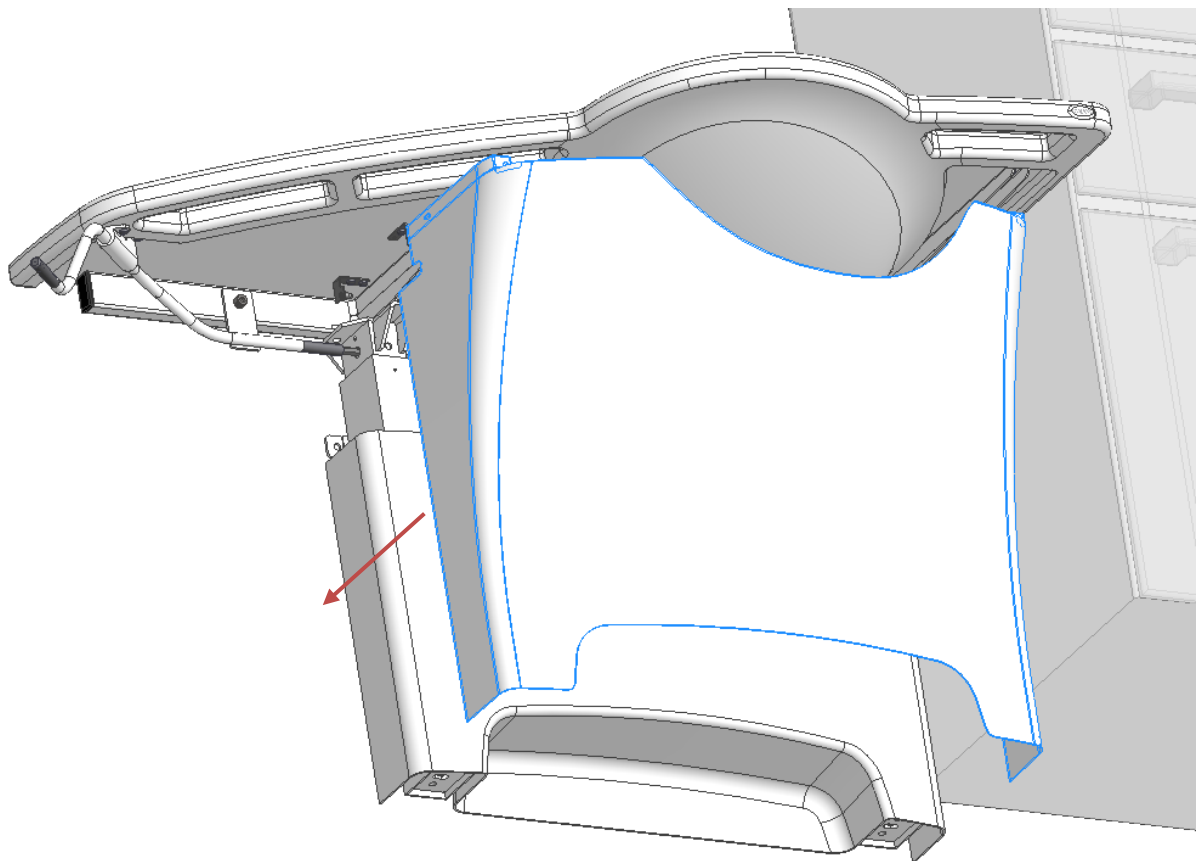
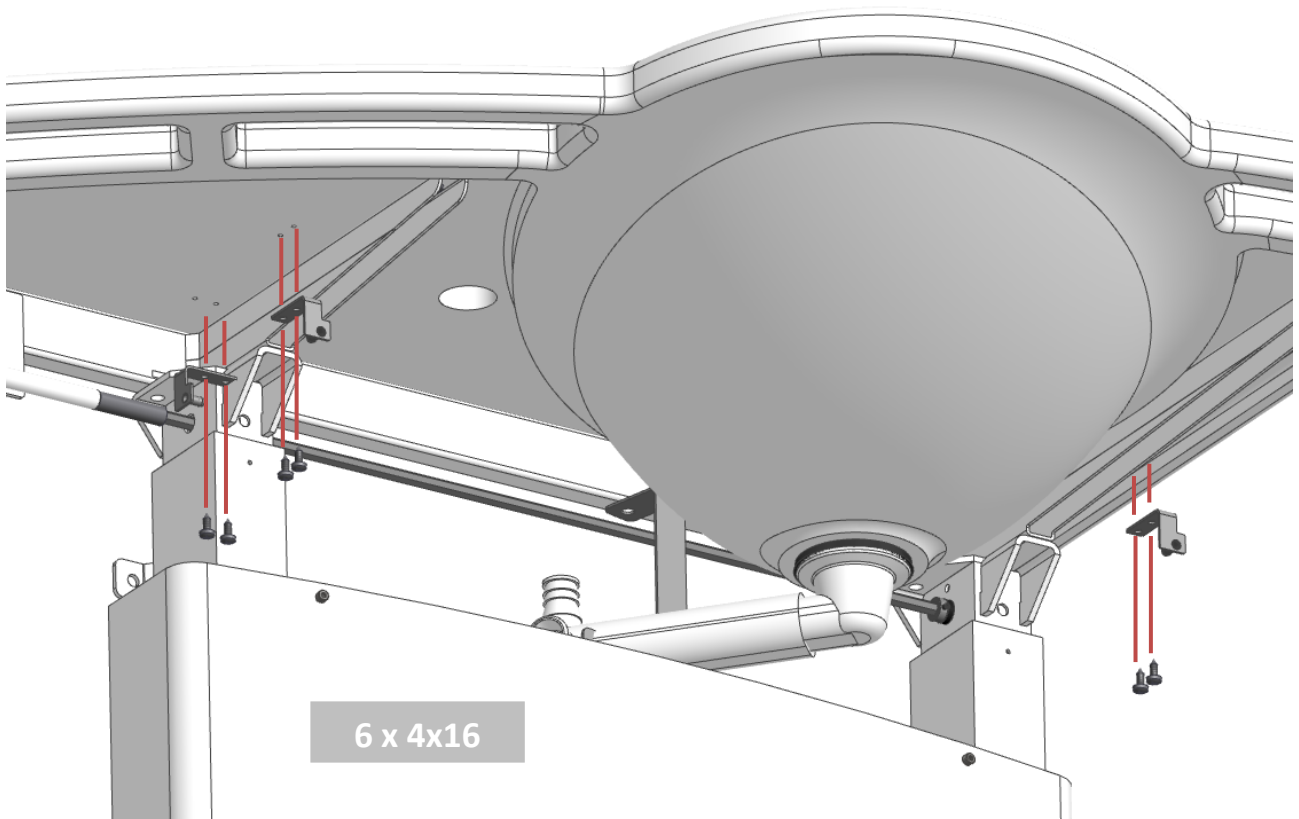
Tip: Move washbasin to top position to facilitate further mounting

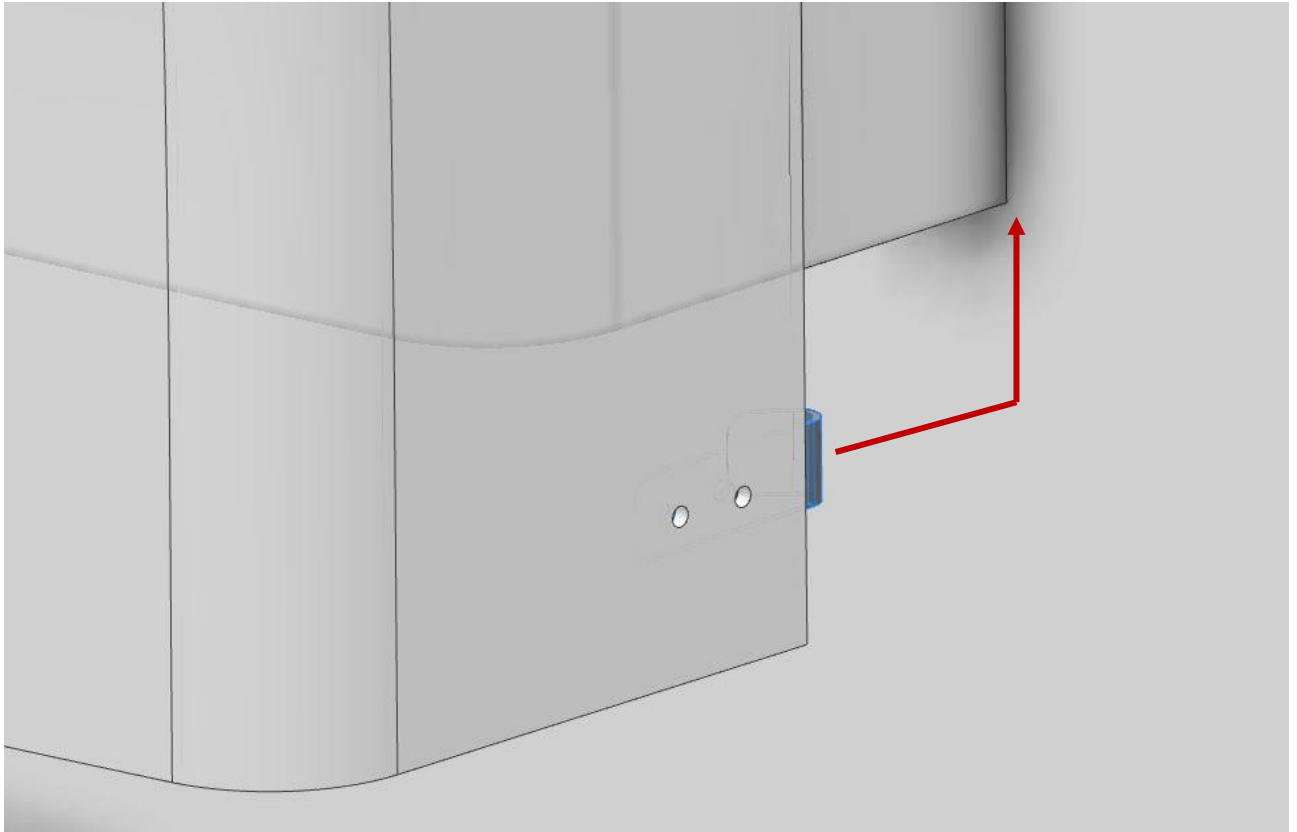


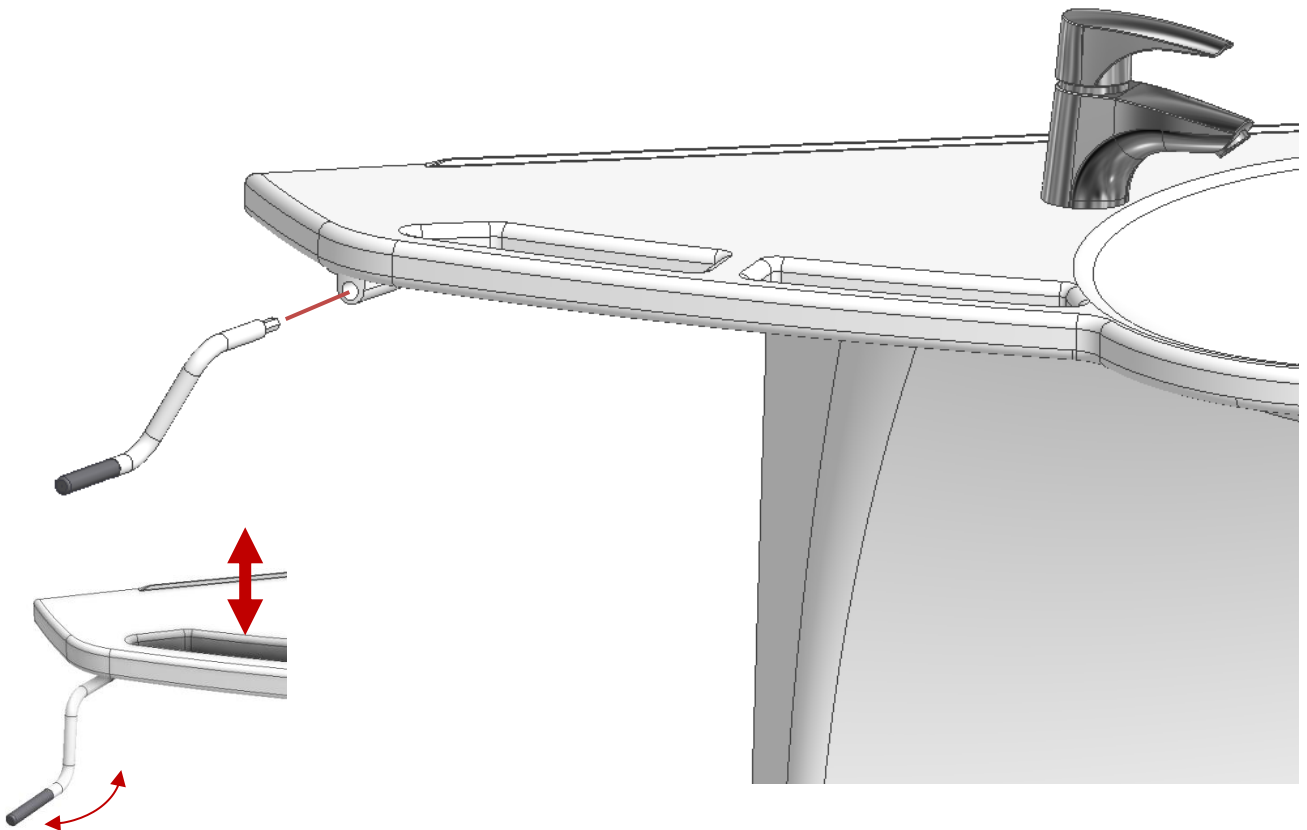
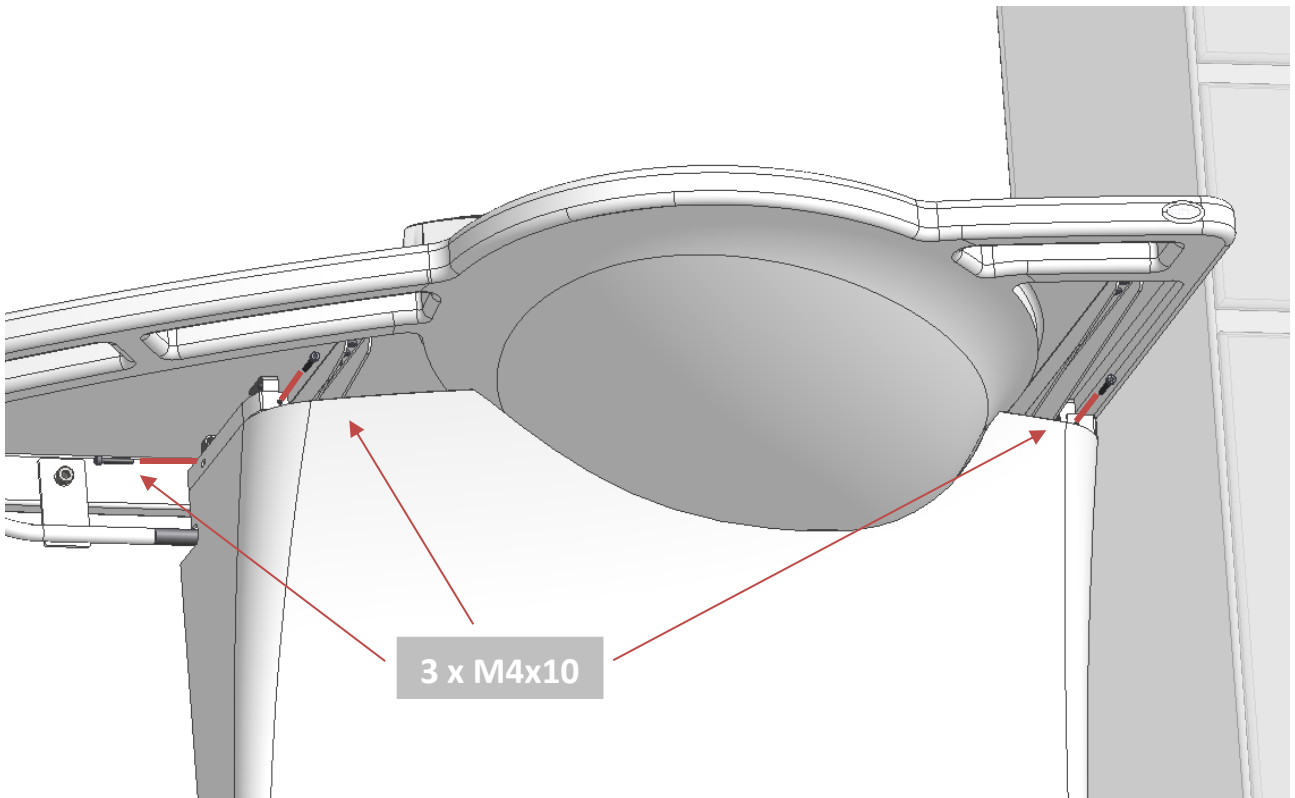


## Mounting of covers for 40-44014/15







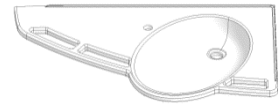




# List of components

## Ropox Support Washbasin, Fixed, left, 40-44010:

40\*44010-064: Top plate with washbasin, left-oriented 1 (one)



Provided with:

40\*44010-063: Fixed wall bracket, long 1 (one)



40\*44010-062: Fixed wall bracket, short 1 (one)

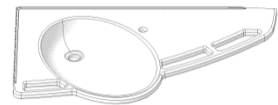


40\*44010-048: Frame Basic side bracket 1 (one)



## Ropox Support Washbasin, Fixed, right, 40-44011:

40\*44010-070: Top plate with washbasin, right-oriented 1 (one)



Provided with:

40\*44010-063: Fixed wall bracket, long 1 (one)



40\*44010-062: Fixed wall bracket, short 1 (one)

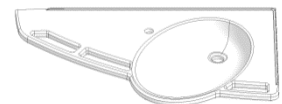


40\*44010-048: Frame Basic side bracket 1 (one)



## Ropox Support Washbasin, Basic height adjustment, left, 40-44012:

40\*44010-064: Top plate with washbasin, left-oriented 1 (one)

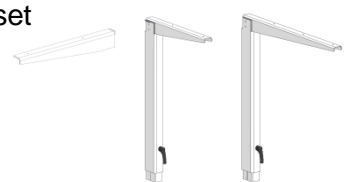


Incl.

40\*44010-025  
40\*44010-026  
40\*44010-020  
97800-022  
97001631  
40\*44010-048

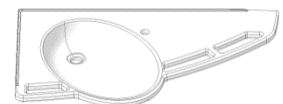
Basic height-adjustment brackets

1 (one) set



## Ropox Support Washbasin, Basic height adjustment, right, 40-44013:

40\*44010-070: Top plate with washbasin, right-oriented 1 (one)

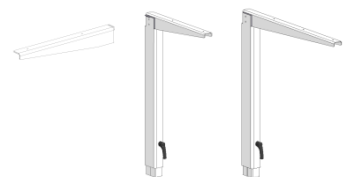


Incl.

40\*44010-025  
40\*44010-026  
40\*44010-020  
97800-022  
97001631  
40\*44010-048

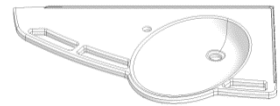
Basic height-adjustment brackets

1 (one)



**Ropox Support Washbasin, Manual height adjustment, left, 40-44014:**

40\*44010-064: Top plate with washbasin, left oriented 1 (one)



Provided with:

Top frame, left oriented 1 (one)

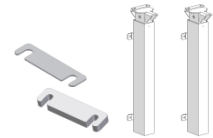
Incl.  
40\*44010-042  
40\*44010-057

Frame Manual support, left  
Hand crank assembly left



30-67600: Flexi legs, Manual  
Incl. Cover  
Distance blocks

2 (two) sets



40\*44010-038: Hexagonal shaft

1 (one)



20\*60320-548: Hand crank

1 (one)



**Ropox Support Washbasin, Manual height adjustment, right, 40-44015:**

40\*44010-070: Top plate with washbasin, right-oriented 1 (one)



Provided with:

Top frame, right-oriented 1 (one)

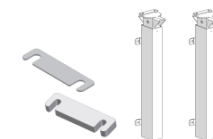
Incl.  
40\*44010-077  
40\*44010-082

Frame Manual support, right  
Hand crank assembly, right



30-67600: Flexi legs, Manual  
Cover  
Distance blocks

2 (two) sets



40\*44010-038: Hexagonal shaft

1 (one)




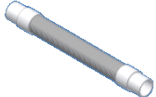



20\*60320-548: Hand crank

1 (one)



## 9. Optional extras

### **40-44020      Water and drain kit**


Incl. 97001601	Siphon	1 (one)	
97001162	Flexible drain hose ø32/32 pipe stub	1 (one)	
97001035	ø32x88.5° angle	1 (one)	
97001120	Connecting hose, 1/2" x 1/2", 100 cm:	2 (two)	
40*44010-098	Drain relief	1 (one)	

### **40-44021      Cover kit for fixed and basic, left-oriented**

### **40-44022      Cover kit for fixed and basic, right-oriented**

### **40-44027      Cover kit for manual, left-oriented**

### **40-44028      Cover kit for manual, right-oriented**

<b>40-44040</b>	<b>Mixer tap, Oras Saga:</b>	1 (one)	
Incl. 97001012	1/2"x3/8"	2 (two)	


---

<b>40-44041</b>	<b>Auxiliary lever for Oras mixer tap</b> Length of lever 15 cm from centre	1 (one)	
-----------------	--	---------	---

---

<b>40-44044</b>	<b>Mixer tap, Damixa Clover Easy</b>	1 (one)	
Incl. 97001101	Transition piece 10x1/2"	2 (two)	

---

<b>40-44045</b>	<b>No-touch mixer tap</b> Oras Electra 6250F	1 (one)	
Incl. 97001348	Oras Cu-tube	1 (one)	
97001101	1/2"x3/8"	2 (two)	

---

<b>40-40935</b>	<b>Overflow plug</b>	1 (one)	
-----------------	----------------------	---------	---

---