

”Changing your posture
throughout the day”



ROPOX ERGO DESK TABLE

AN ELEGANT AND USER-FRIENDLY DESK

Varying your position at your desk several times a day is good for your health, and with the Ergo Desk Table you can instantly sit or stand as you choose.

You adjust the table height with a light pressure on the control switch and within seconds the table is set to the most appropriate height for you whether you sit or stand.

The Ergo Desk makes it uncomplicated to shift working positions throughout the day, and it will be easy for you to avoid sitting for extended periods.

The high quality and classic design of the Ergo Desk Tables make it fit to use in both offices and private homes.



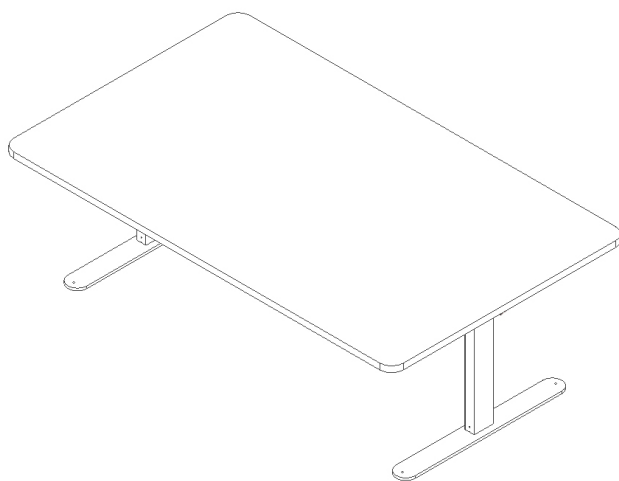
ROPOX ERGO DESK TABLE

| | |
|---------------------|--------------------|
| Max. load capacity: | 130 kg |
| Height: | 60-125 cm |
| Depth: | 80 or 90 cm |
| Width: | 160, 180 or 200 cm |
| Frame colour: | Silver Grey |

TECHNICAL INFORMATION

| SIZE | ITEM NO. |
|-------------|----------|
| 160 x 80 cm | 20-34200 |
| 180 x 90 cm | 20-34201 |
| 200 x 90 cm | 20-34202 |

All tables are height adjustable from 60-125 cm.



ACCESSORIES

CPU rack
Item: 20-34215

Battery
Item: 20-60825

